

Rear Disc Brake - Brake Disc


Mustang Mach-E 2021 (06/2019-)

 Print  Report An Error**Removal and Installation****Materials**

Name	Specification
Очиститель тормозов 3U7J-2C410-AA	-

Removal

NOTE: Removal steps in this procedure may contain installation instructions.

-  **NOTICE:** Service actions on vehicles equipped with electronic brake booster and electronic parking brakes may cause unexpected brake application, which could result in injury to hands or fingers. Put the brake system into service mode prior to servicing or removing any brake components. Failure to follow this instruction may result in serious personal injury.

Refer to: [Brake Service Mode Activation and Deactivation](#) (206-00 Brake System - General Information, General Procedures).

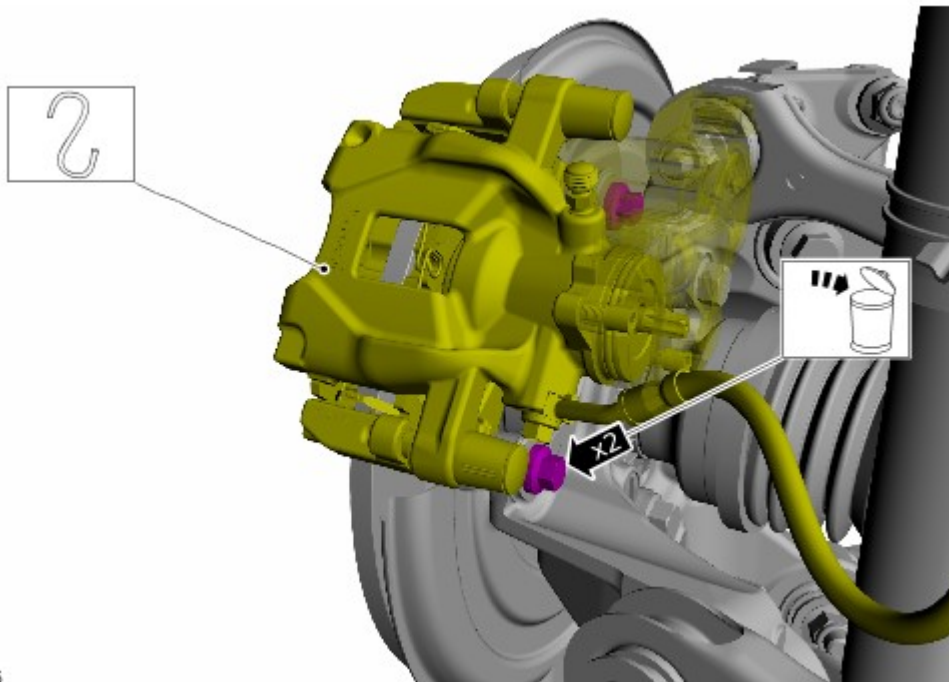
- Refer to: [Wheel and Tire](#) (204-04A Wheels and Tires, Removal and Installation).
- NOTICE:**



Do not pry in the caliper sight hole to retract the pistons as this can damage the pistons and boots.

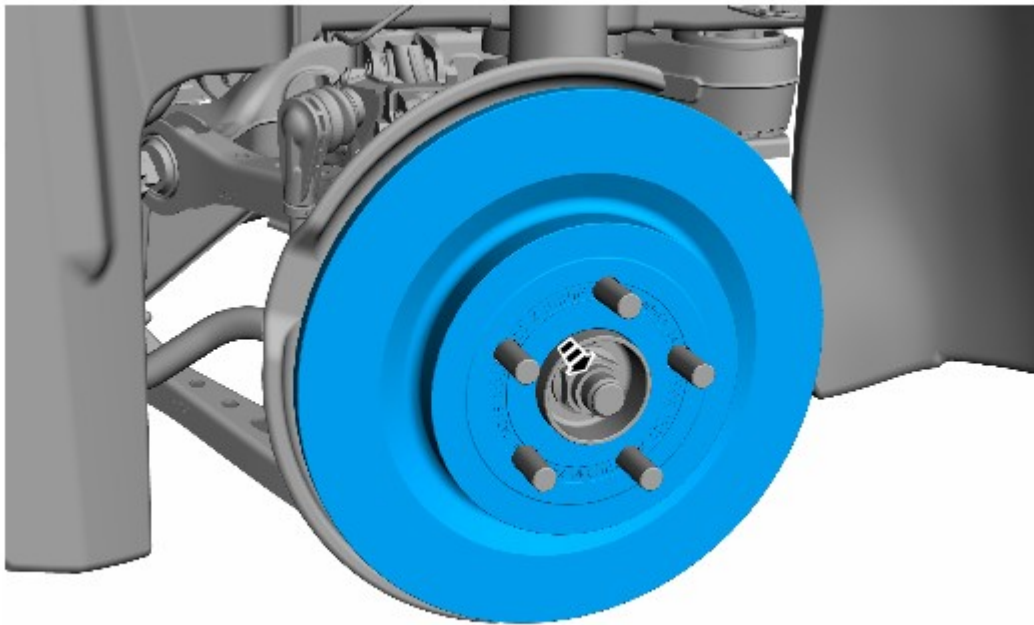
Do not allow the brake caliper and anchor plate assembly to hang from the brake hose or damage to the hose can occur.

Torque: 63 Nm



E342835

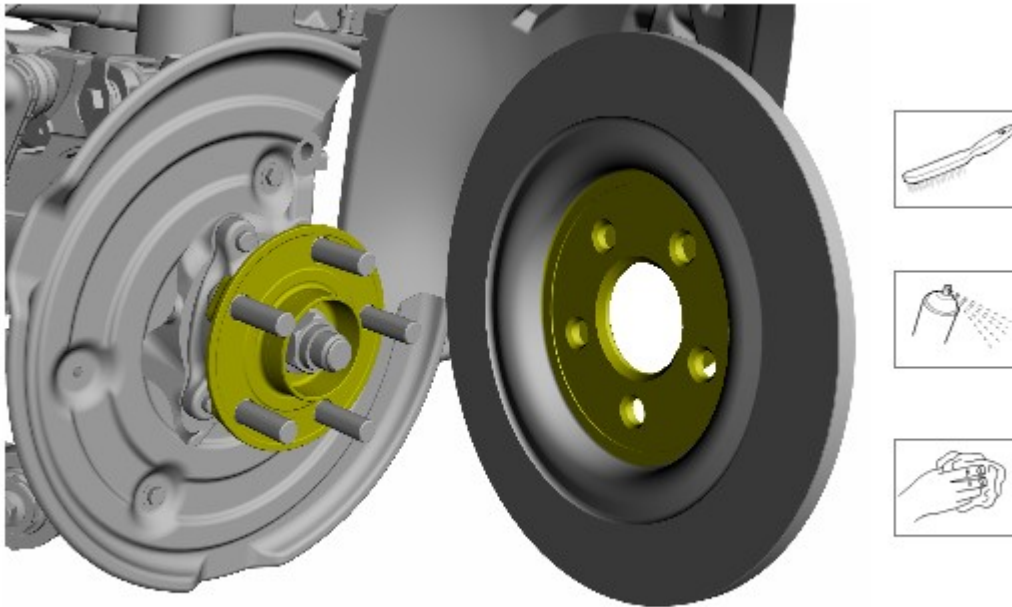
4.



E342836


5. NOTICE: Make sure that the mating faces are clean and free of foreign material.

Material: - (Очиститель тормозов / 3U7J-2C410-AA)



E342837

Installation

1.  **NOTICE:** Make sure that the brake hose is not twisted when installing the brake caliper or damage to the brake flexible hose may occur. To install, reverse the removal procedure.
2. Refer to: [Brake Service Mode Activation and Deactivation](#) (206-00 Brake System - General Information, General Procedures).
3. Apply the brake pedal several times to verify correct brake system operation.