

# Front Bumper Cover



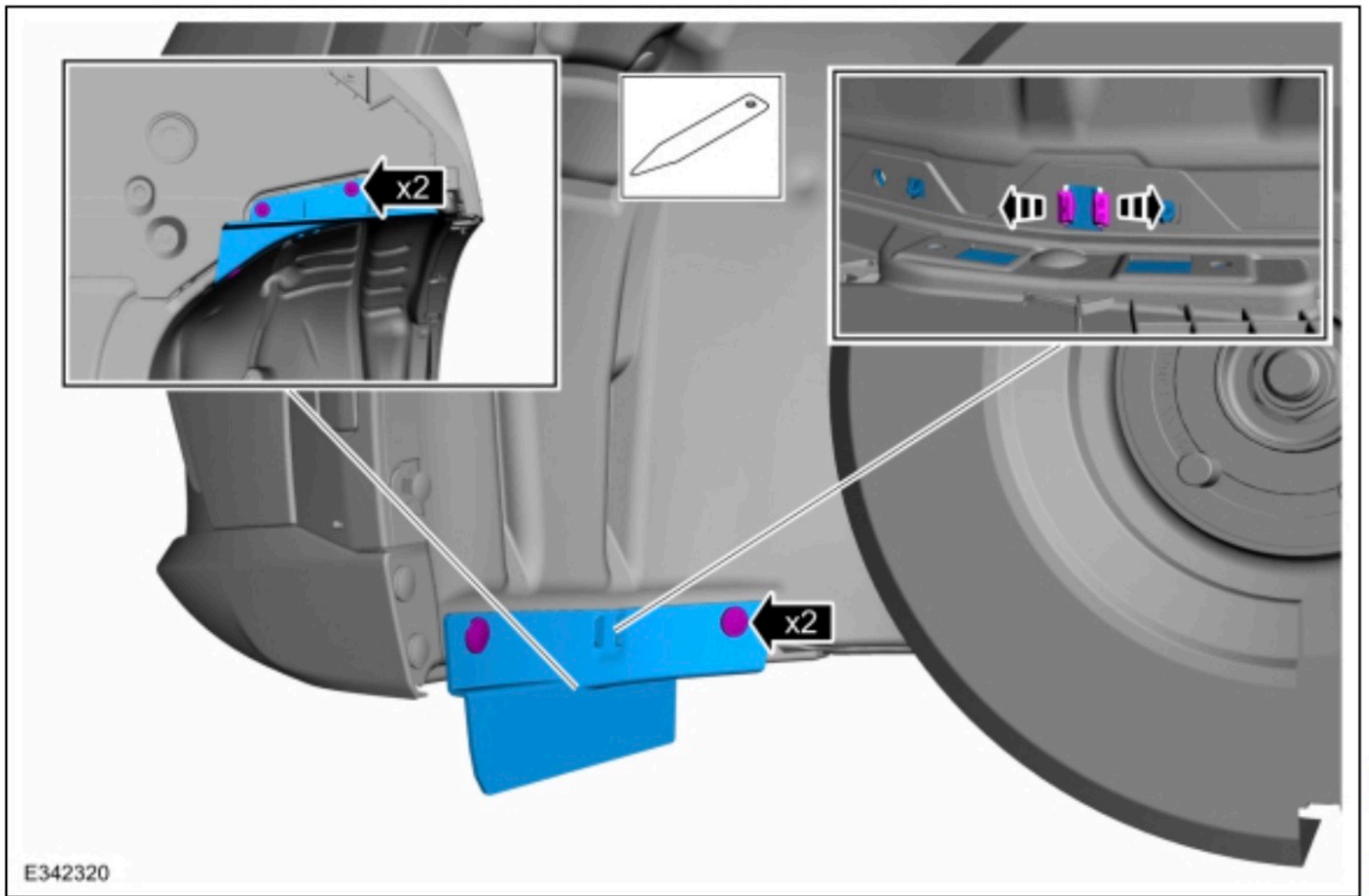
## Special Tool(s) / General Equipment

Interior Trim Remover
--------------------------

## Removal

**NOTE:** Removal steps in this procedure may contain installation details.

1. Remove the front wheels and tires.  
Refer to: [Wheel and Tire](#) (204-04A Wheels and Tires, Removal and Installation) .
2. Remove the underhood storage compartment.  
Refer to: [Underhood Storage Compartment](#) (501-02 Front End Body Panels, Removal and Installation) .
3. On both sides.  
Remove the screws, the push pins, release the tabs and remove the stone deflector.  
Use the General Equipment: Interior Trim Remover  
*Torque* : 18 lb.in (2 Nm)

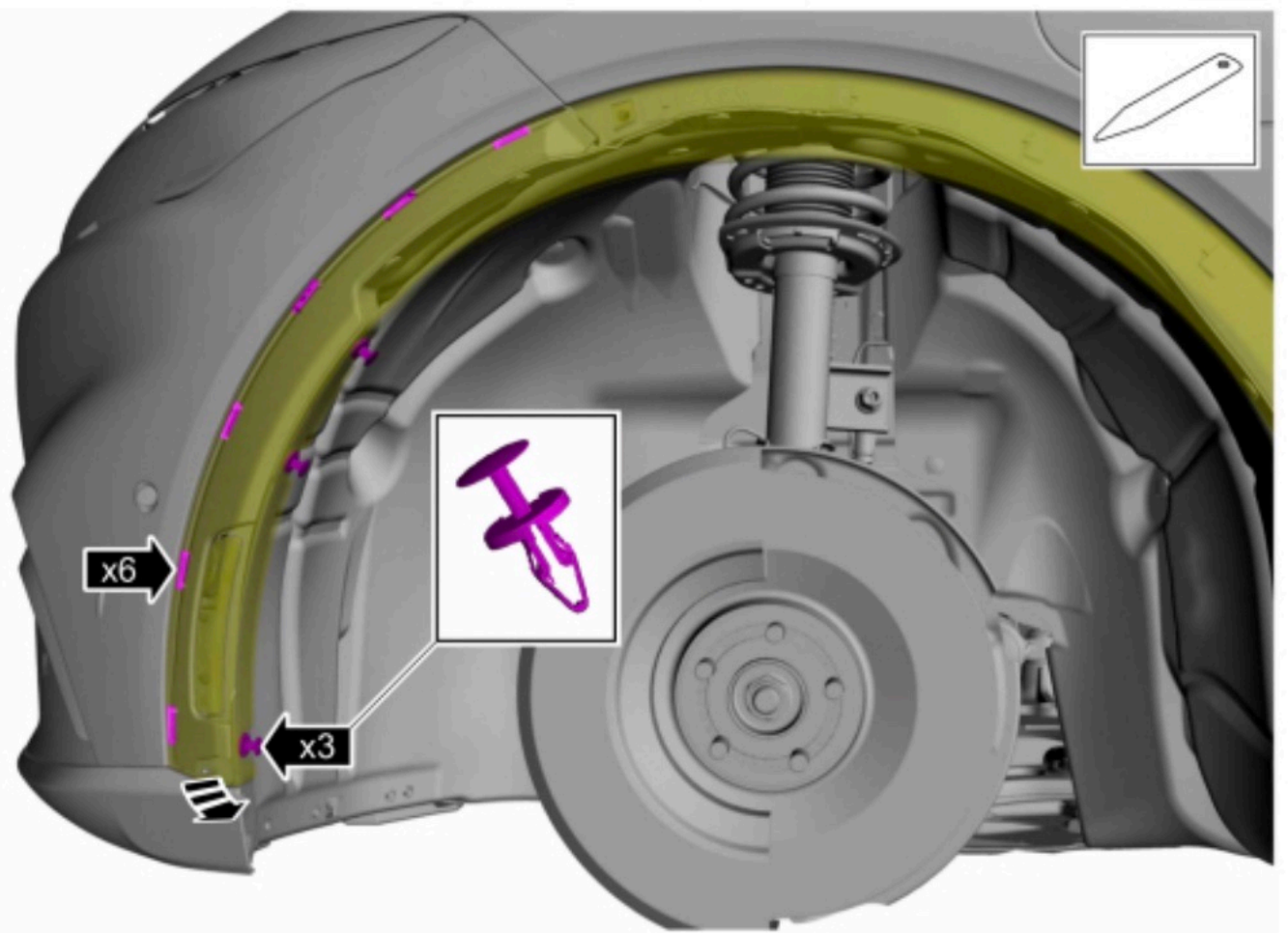


4. On both sides.

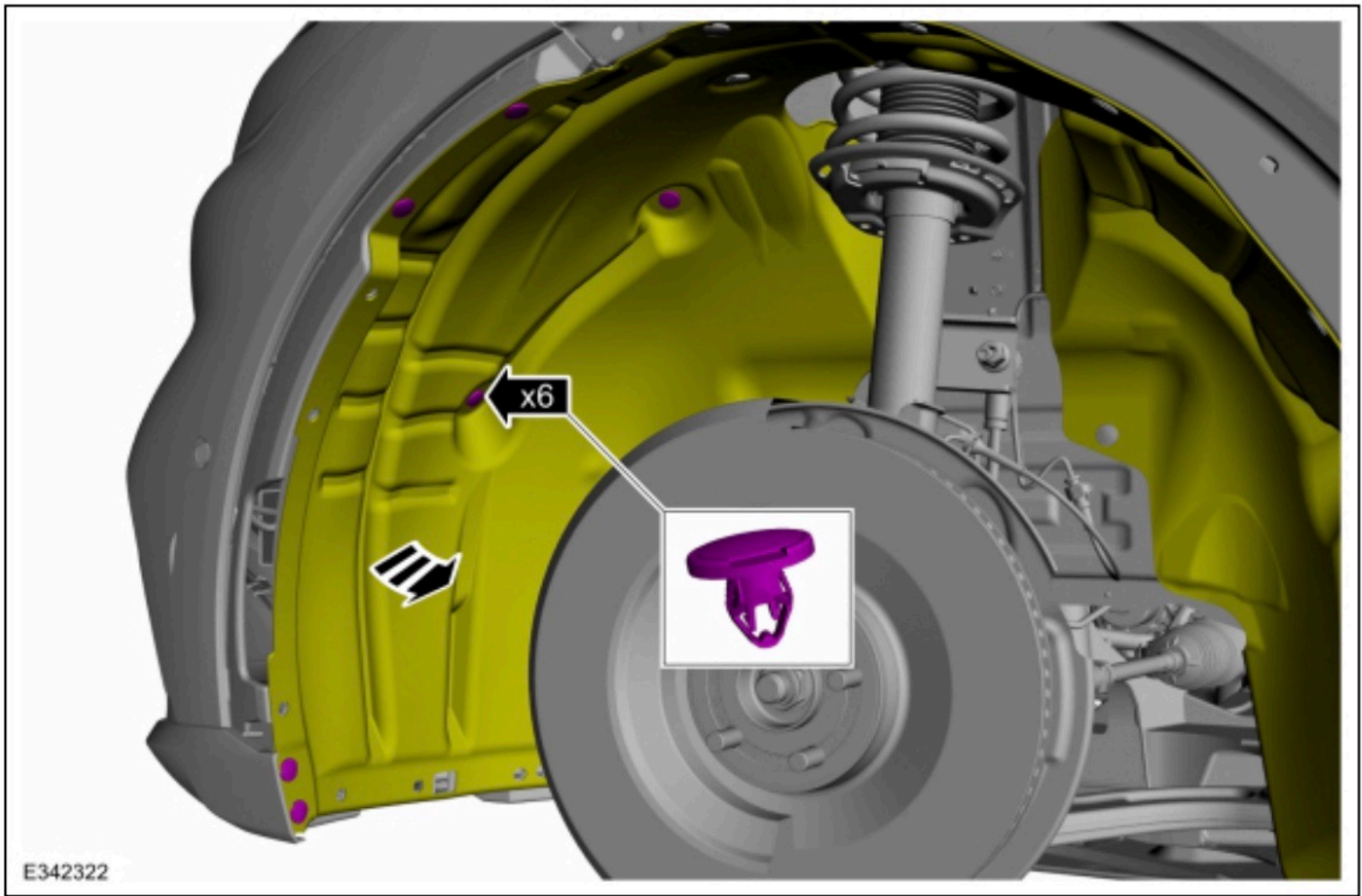
Remove the push pins, release the tabs and position front fender moulding aside.

Use the General Equipment: Interior Trim Remover

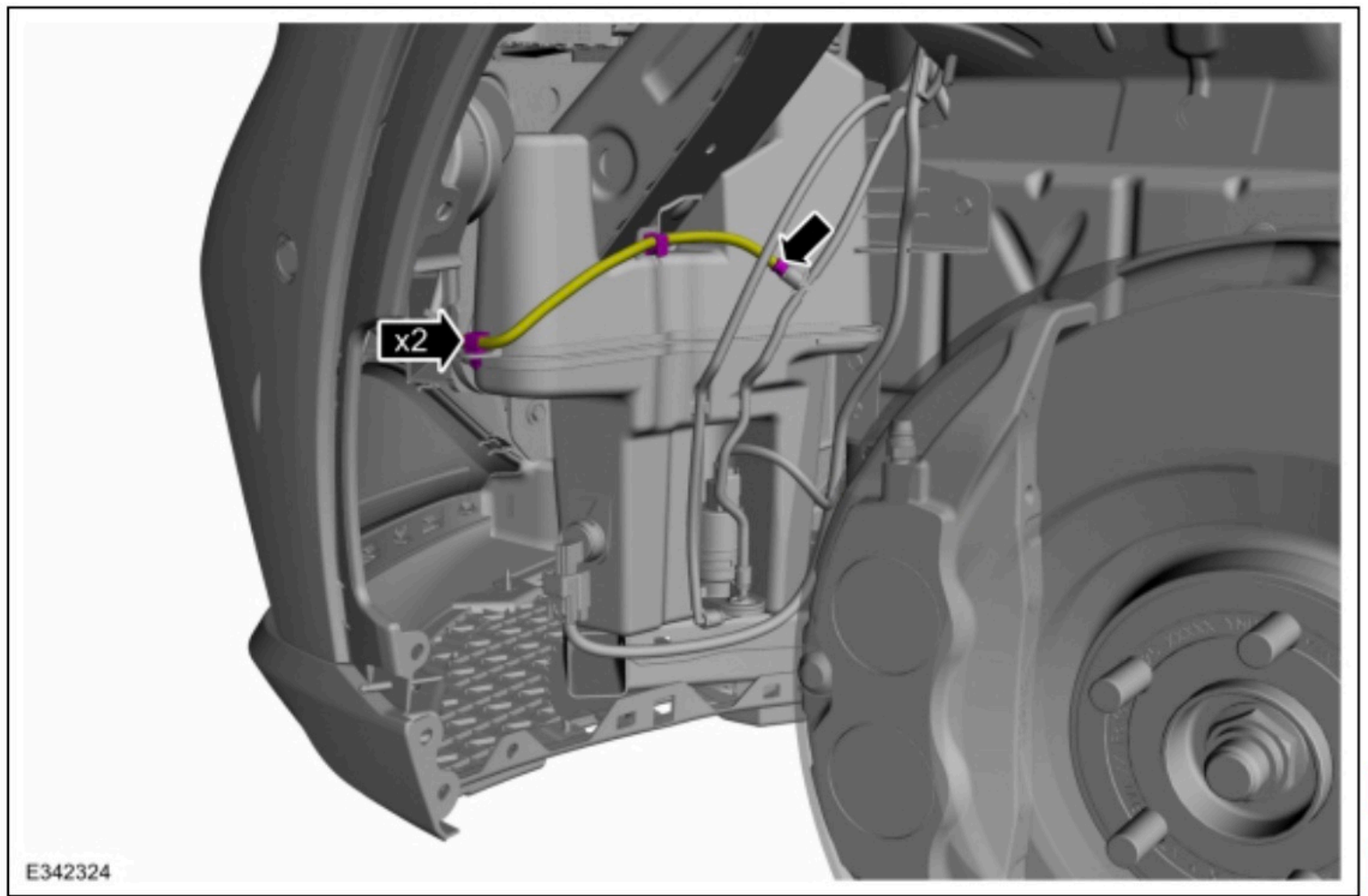




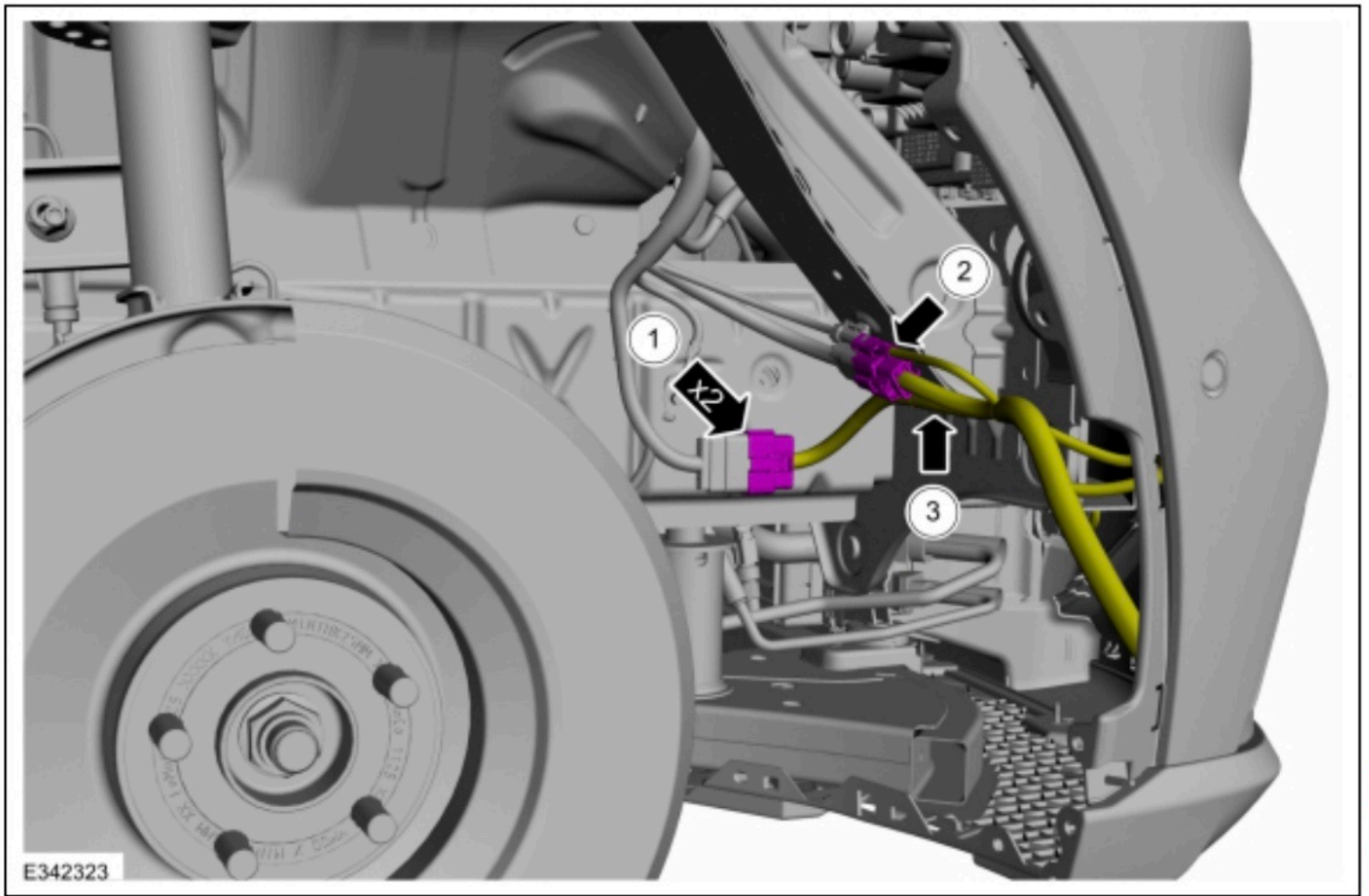
5. On both sides.  
Remove the push pins and position the fender splash shield aside.



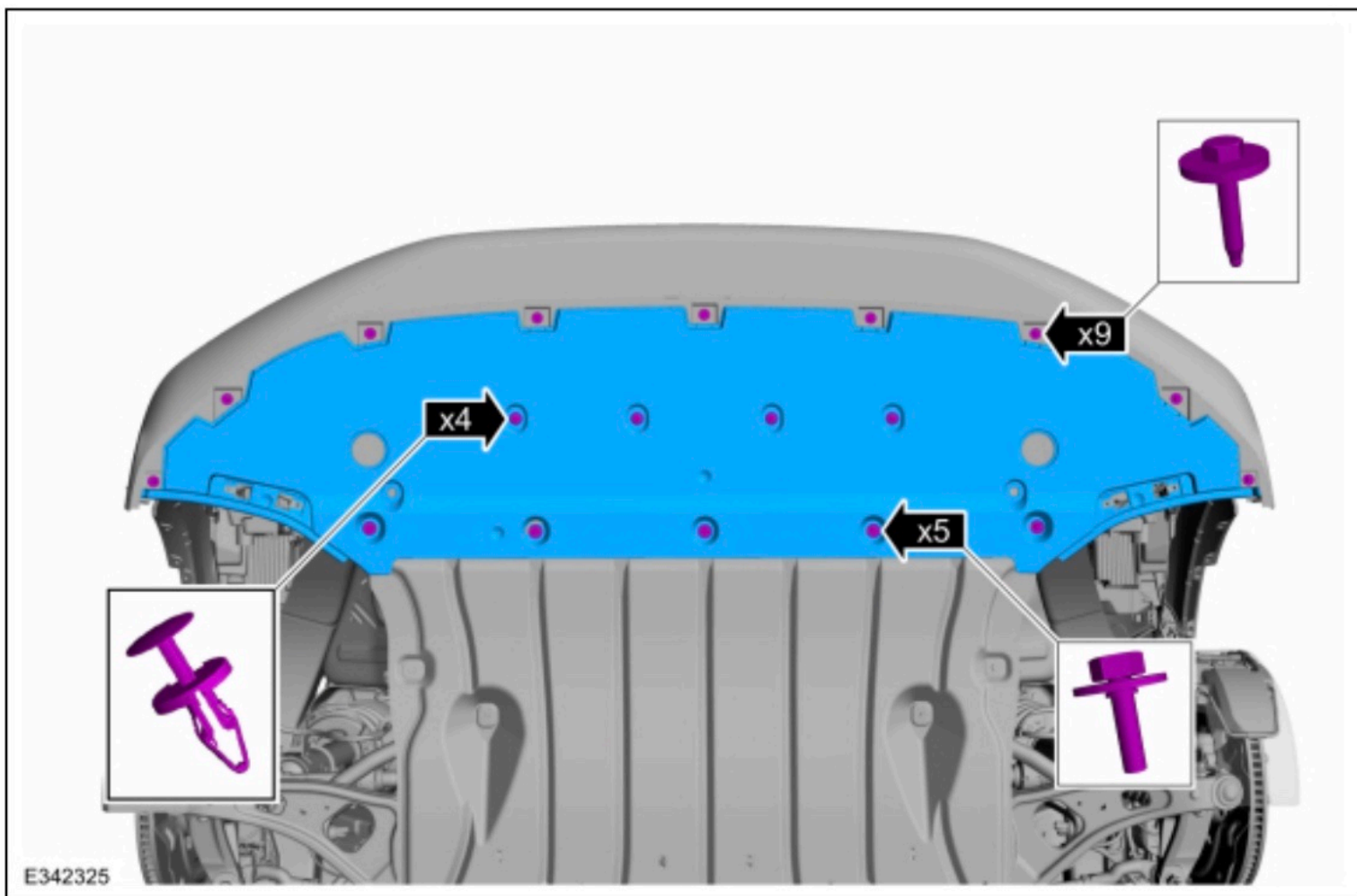
6. Disconnect the camera washer hose and plug the washer hose end. Remove the clips and position the washer hose assembly aside.



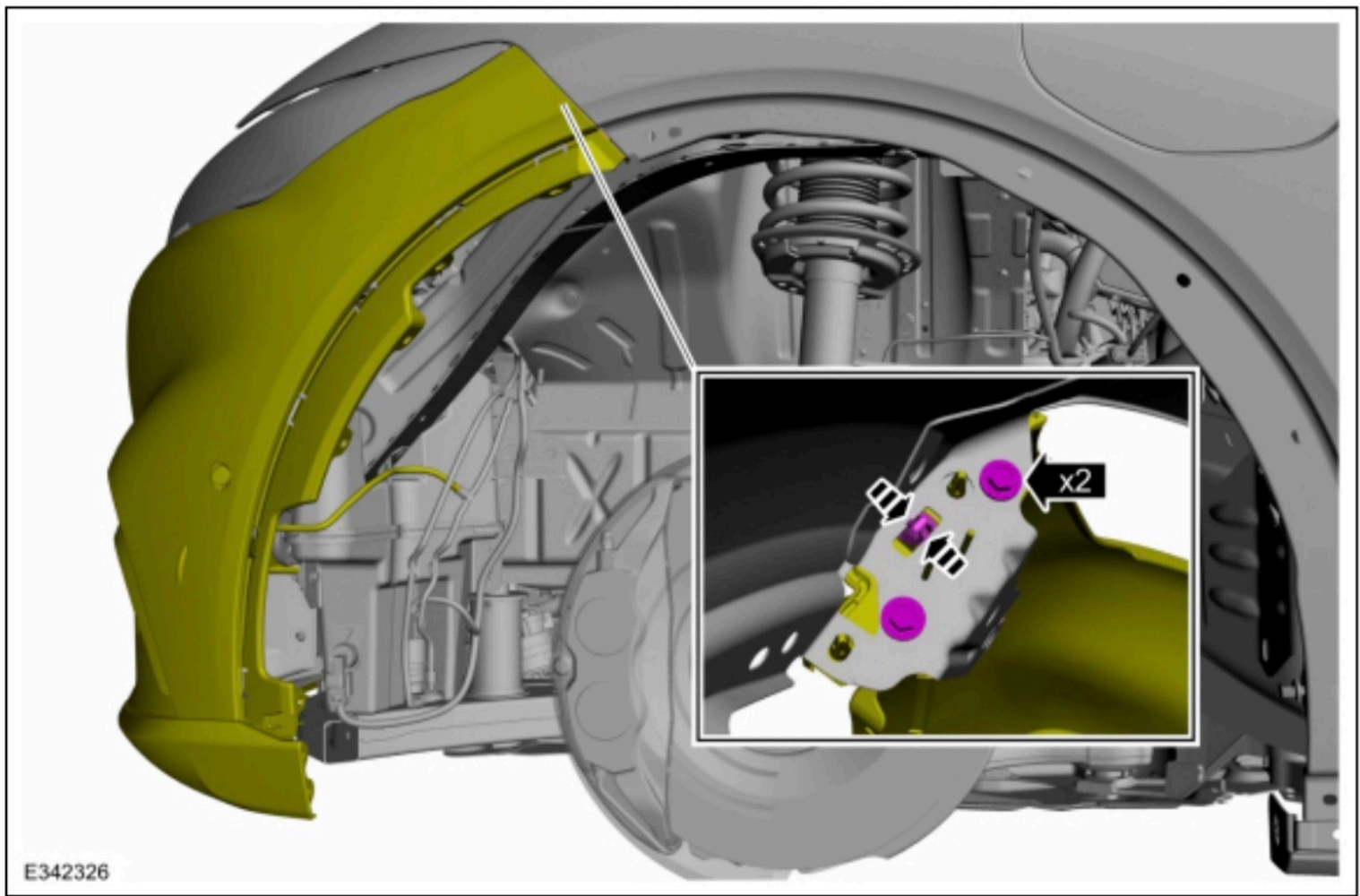
- 7.
1. Disconnect the front bumper cover harness electrical connectors.
  2. Disconnect the front camera harness electrical connector.
  3. Remove the retainer and position the wiring harness aside.



8. Remove the push pins, the screws and the lower air deflector.  
*Torque : 18 lb.in (2 Nm)*



9. On both sides.  
Remove the front bumper cover to fender bolts and release the tab.  
*Torque : 53 lb.in (6 Nm)*

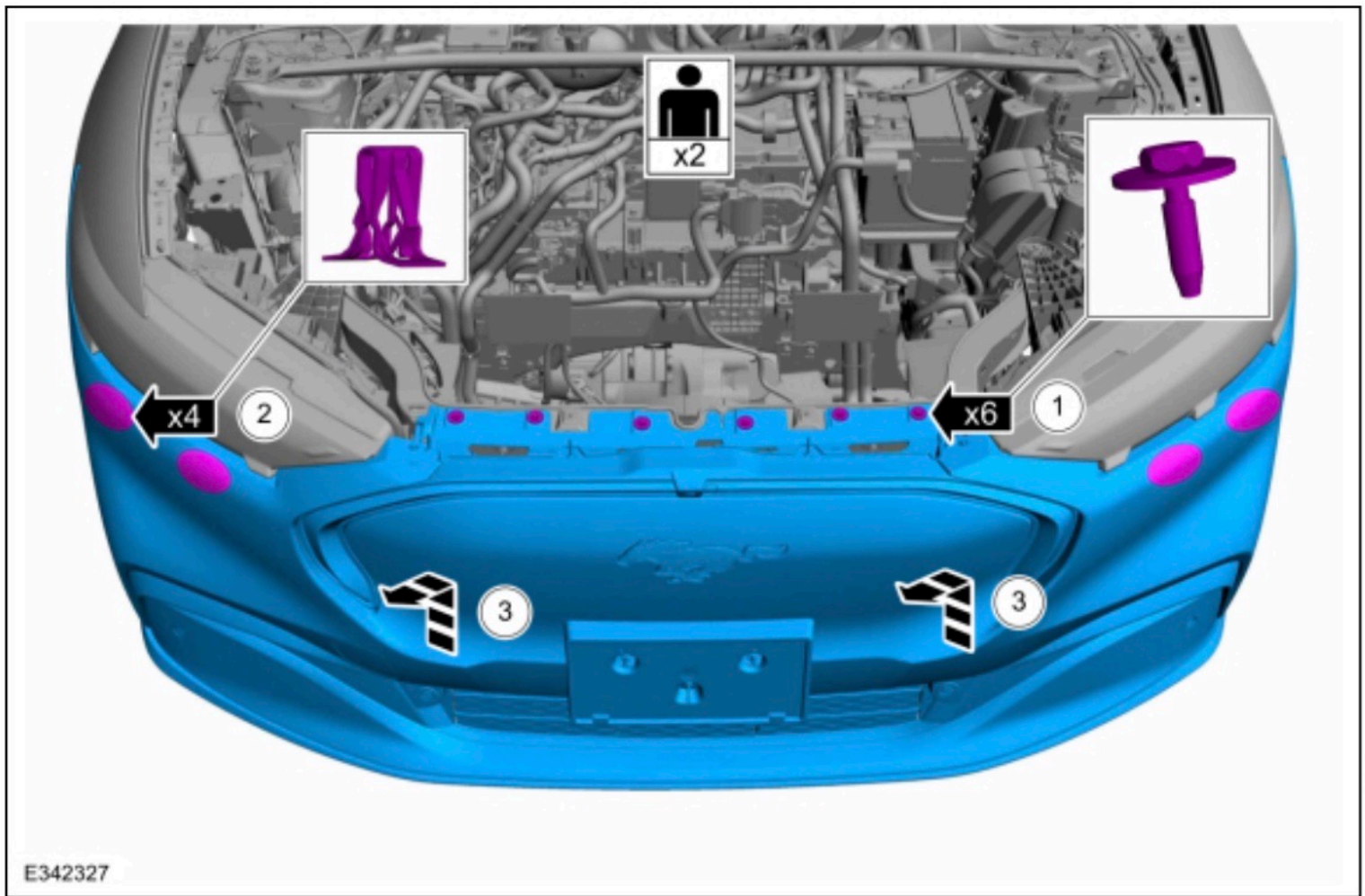


10. **NOTE:** *This step requires the aid of another technician.*

Remove the front bumper cover.

1. Remove the screws.  
*Torque : 27 lb.in (3 Nm)*
2. Release the clips.
3. Lift the front bumper cover up and off the alignment pins.





## Installation

### All vehicles

1. To install, reverse the removal procedure.

### Vehicles With: 360 Degree Camera

2. Align the 360° cameras.  
Refer to: [360 Degree View Camera Alignment](#) (413-13B Parking Aid - Vehicles With: Parking Aid Camera, General Procedures) .

### Vehicles With: Active Park Assist/Front Parking Aid

3. If replacing the front bumper cover.  
Check the alignment of the front active park assist and front parking aid sensors.  
Refer to: [Azimuth System Check](#) (413-13C Parking Aid - Vehicles With: Active Park Assist, General Procedures) .  
Refer to: [Azimuth System Check](#) (413-13A Parking Aid - Vehicles With: Rear Parking Aid, General

Procedures) .

Refer to: [Elevation System Check](#) (413-13A Parking Aid - Vehicles With: Rear Parking Aid, General Procedures) .

4. If any sensor fails the check, diagnose the sensor fault.

Refer to: [Parking Aid](#) (413-13C Parking Aid - Vehicles With: Active Park Assist, Diagnosis and Testing) .

Refer to: [Parking Aid](#) (413-13A Parking Aid - Vehicles With: Rear Parking Aid, Diagnosis and Testing) .

© Copyright 2022, Ford Motor Company.

---