

Front Camber Adjustment



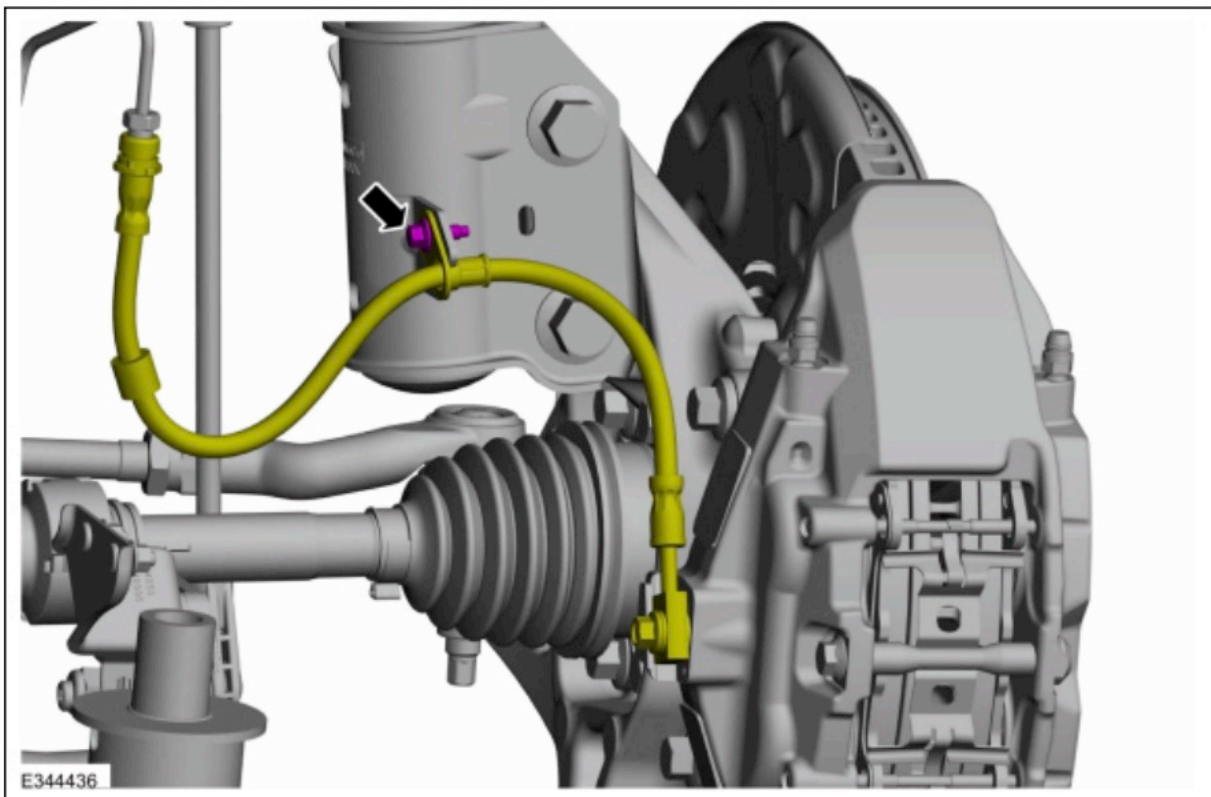
Special Tool(s) / General Equipment

Wheel Alignment System

Adjustment

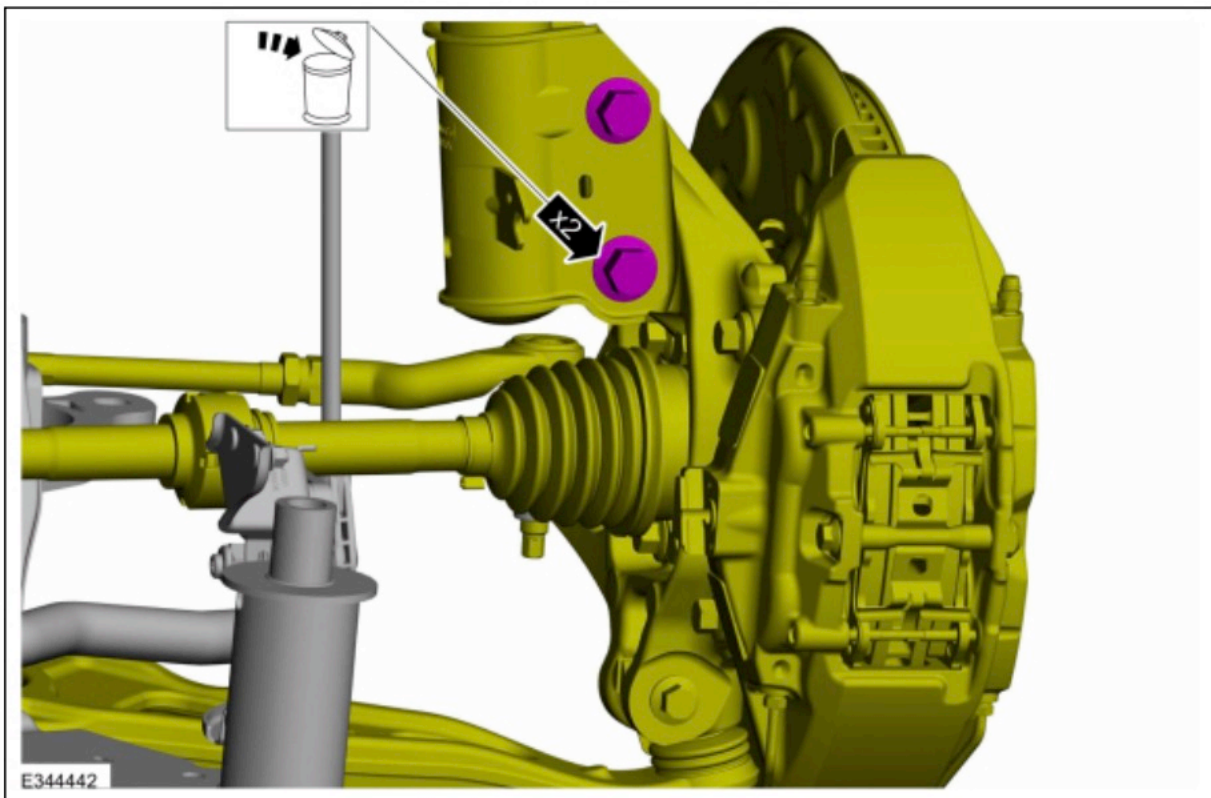
NOTICE: Suspension fasteners are critical parts that affect the performance of vital components and systems. Failure of these fasteners may result in major service expense. Use the same or equivalent parts if replacement is necessary. Do not use a replacement part of lesser quality or substitute design. Tighten fasteners as specified.

1. Using alignment equipment and the manufacturer's instructions, measure the front camber.
Use the General Equipment: Wheel Alignment System
2. Remove the wheels and tires.
Refer to: [Wheel and Tire](#) (204-04A Wheels and Tires, Removal and Installation).
3. Remove the bolt and position aside the front brake flexible hose.



4. **NOTE:** *Support the wheel knuckle using mechanic's wire.*

Remove and discard the strut-to-wheel knuckle bolts and nuts.



5.

1. **NOTE:** *Replace bolts and nuts with new service bolts and nuts.*

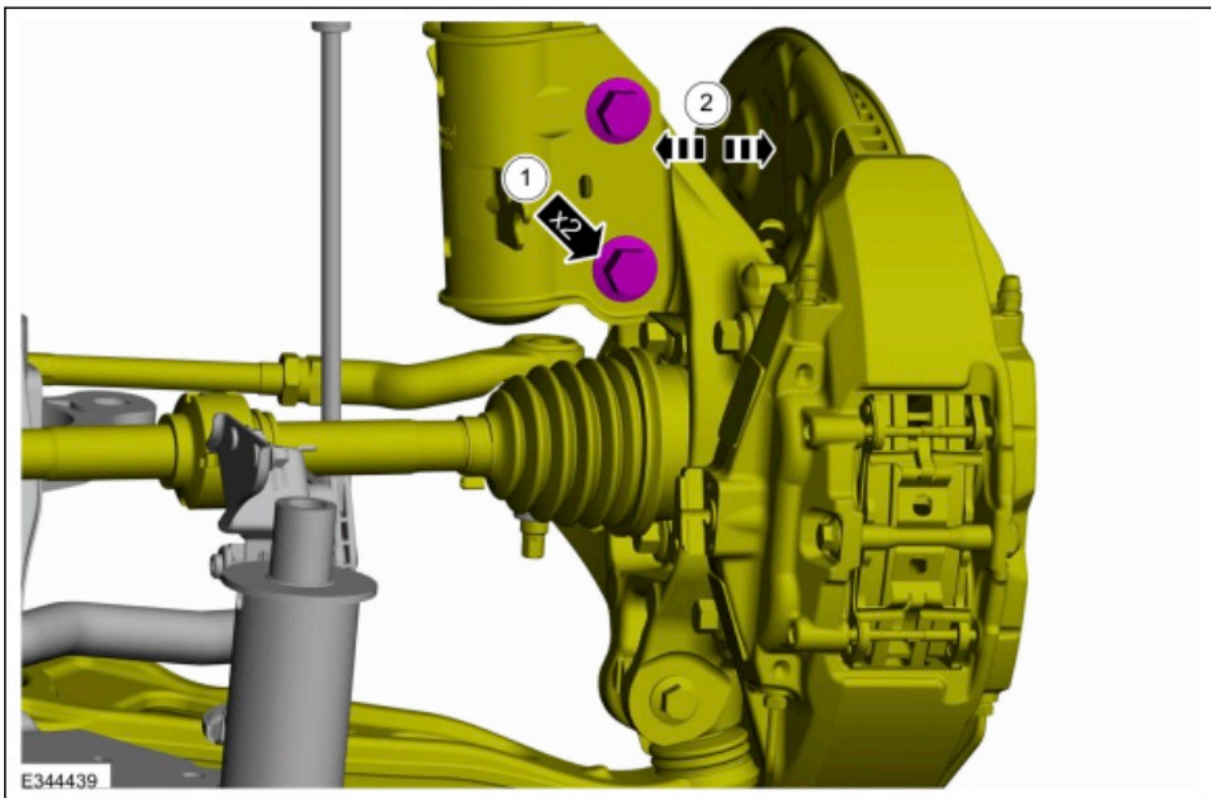
NOTE: *Original equipment bolts are splined, service bolts are smooth and smaller in diameter.*

NOTE: *Do not fully tighten the strut-to-wheel knuckle bolts and nuts until the alignment has been corrected.*

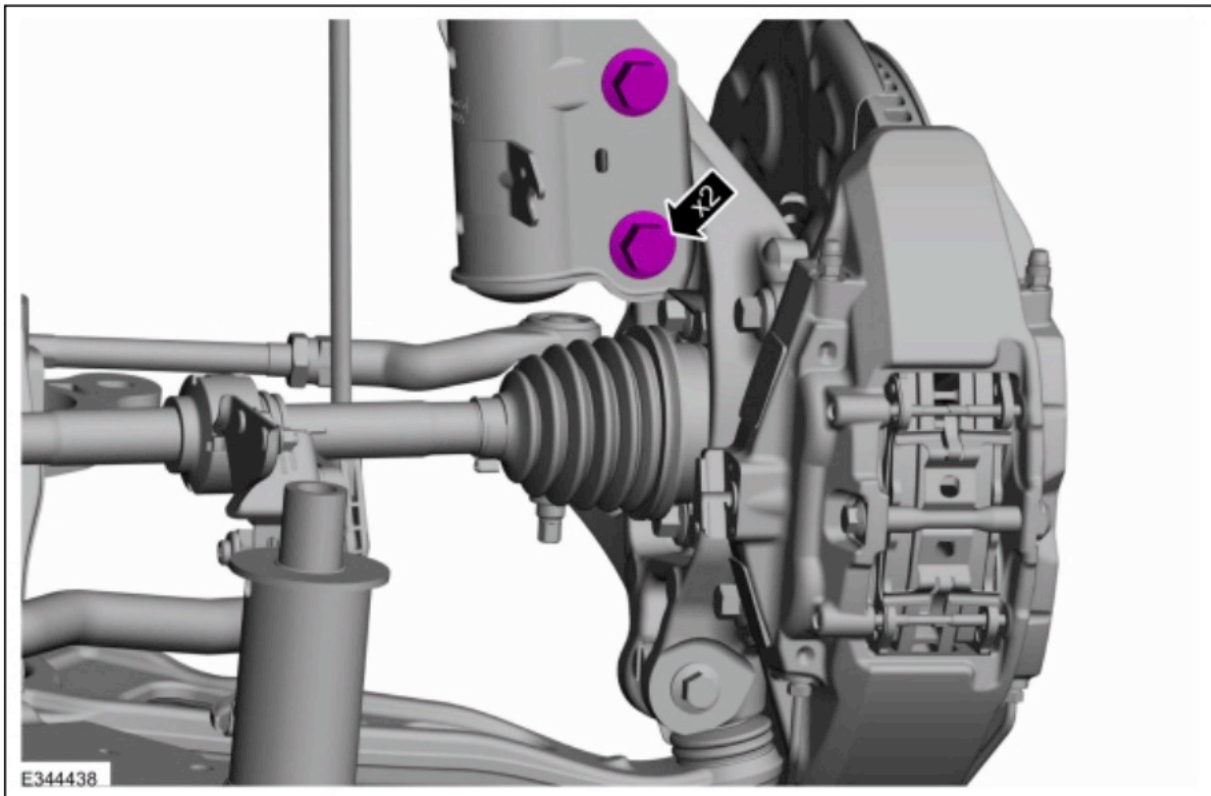
Position the wheel knuckle and install the 2 new service strut-to-wheel knuckle bolts and nuts and tighten until snug.

2. **NOTE:** *Adjustment from maximum inboard to maximum outboard is .5 °.*

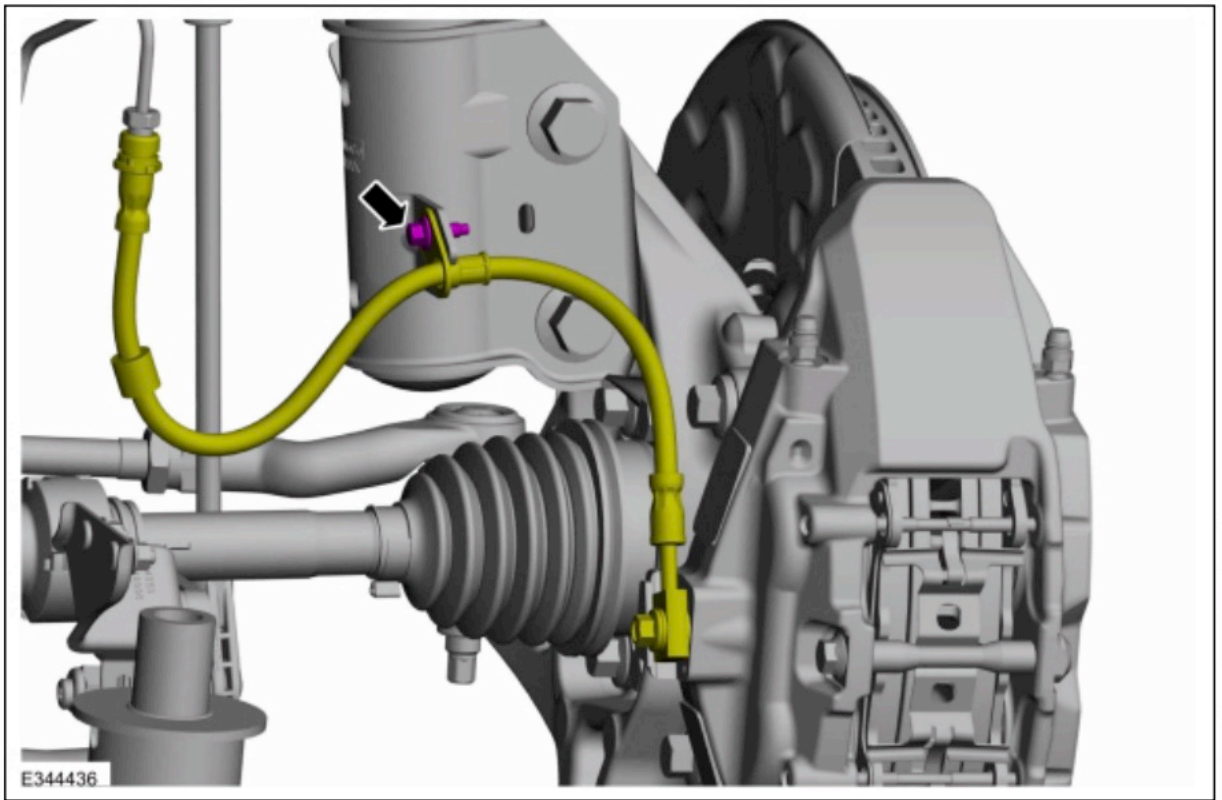
Move the wheel knuckle assembly inboard or outboard to adjust front camber as necessary.



6. Using alignment equipment and the manufacturer's instructions, measure the front camber.
Use the General Equipment: Wheel Alignment System
7. Tighten the strut-to-wheel knuckle bolts and nuts.
Torque: 173 lb.ft (235 Nm)



8. Position the front brake flexible hose and install the bolt.
Torque: 97 lb.in (11 Nm)

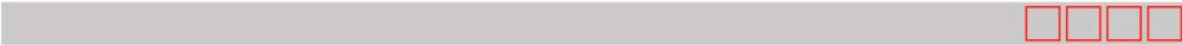


9. Install the wheels and tires.

Refer to: [Wheel and Tire](#) (204-04A Wheels and Tires, Removal and Installation).

10. Recheck alignment to verify camber change and adjust front toe if necessary.

Refer to: [Front Toe Adjustment](#) (204-00 Suspension System - General Information, General Procedures)



11. Road test the vehicle.