

Front Strut and Spring Assembly



Special Tool(s) / General Equipment

| |
|-------------------|
| Spring Compressor |
| Vise |

DISASSEMBLY

WARNING: Do not apply heat or flame to the shock absorber or strut tube. The shock absorber and strut tube are gas pressurized and could explode if heated. Failure to follow this instruction may result in serious personal injury.

WARNING: Keep all body parts clear of shock absorbers or strut rods. Shock absorbers or struts can extend unassisted. Failure to follow this instruction may result in serious personal injury.

NOTICE: Suspension fasteners are critical parts that affect the performance of vital components and systems. Failure of these fasteners may result in major service expense. Use the same or equivalent parts if replacement is necessary. Do not use a replacement part of lesser quality or substitute design. Tighten fasteners as specified.

NOTE: *Disassembly steps in this procedure may contain assembly details.*

1. Remove the front strut and spring assembly.
Refer to: [Front Strut and Spring Assembly](#) (204-01B Front Suspension - AWD, Removal and Installation) .
2. **WARNING:** Coil springs and strut assemblies are compressed under extreme load. Always use a spring compressor for disassembly. Follow procedure instructions carefully and make sure the spring compressor has the correct spring plates or adapters. Failure to follow these instructions may result in serious personal injury.

NOTICE: When installing a suitable spring compressor, use care not to damage the spring coating.

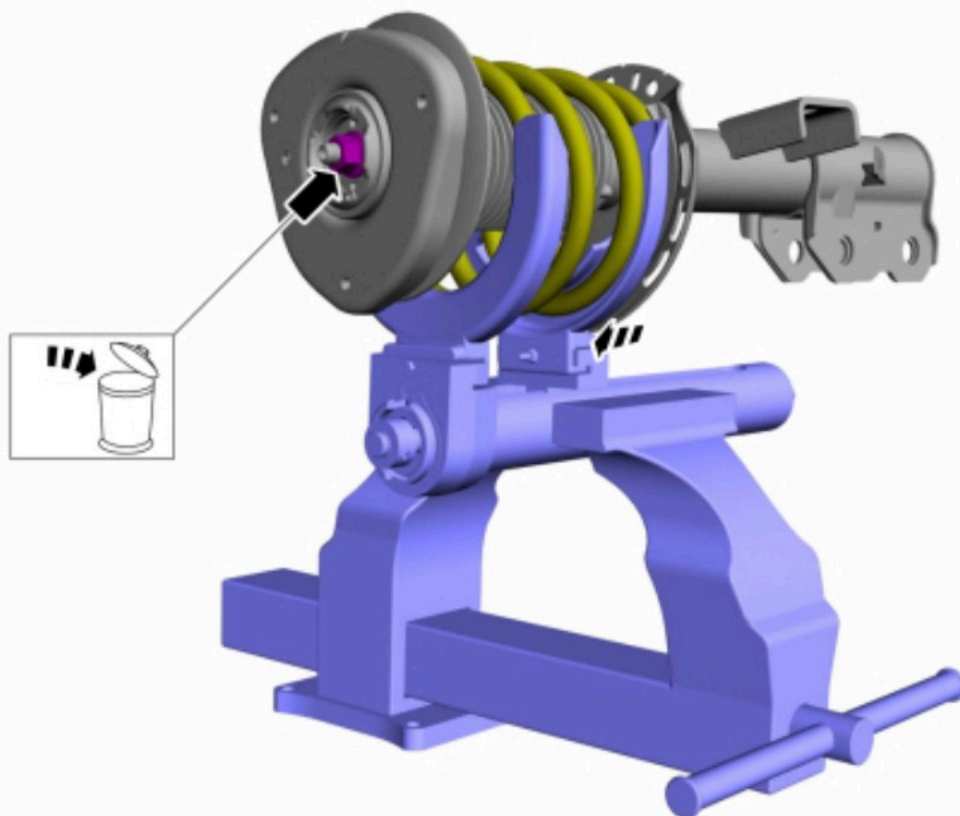
NOTICE: Take extra care not to damage the component.

NOTICE: Do not use power tools to remove the nut.

Compress the coil spring enough to relieve the tension on the strut assembly.

Use the General Equipment: Spring Compressor

Use the General Equipment: Vise



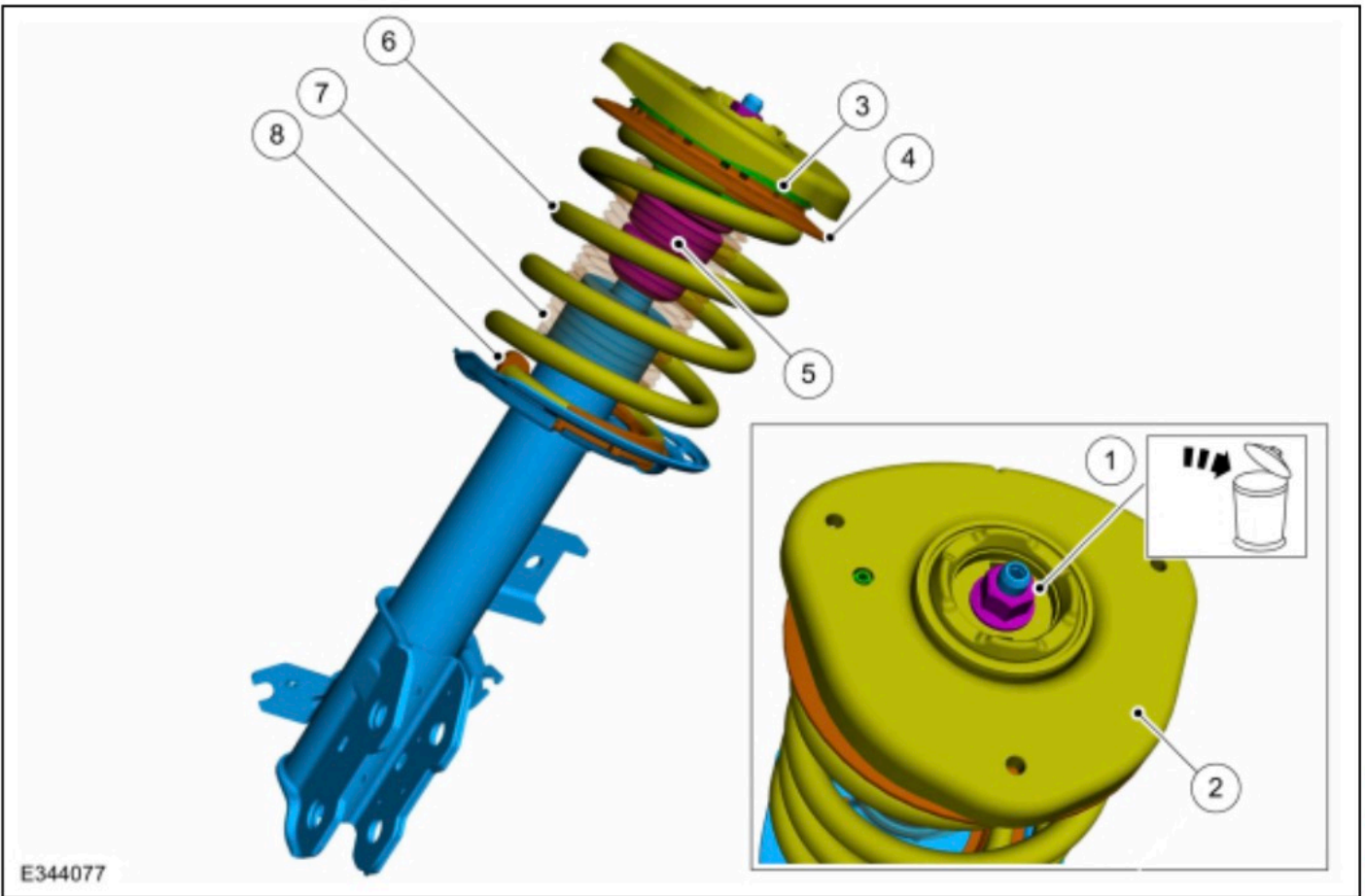
3. **NOTE:** Note the position of the components before removal.

NOTE: Do not use an impact wrench on the strut rod nut.

NOTE: Use the hex-holding feature to prevent the strut rod from turning while removing the strut rod nut.

Remove and discard the front strut and spring assembly rod nut. Disassemble the front strut and

spring assembly in the order shown.



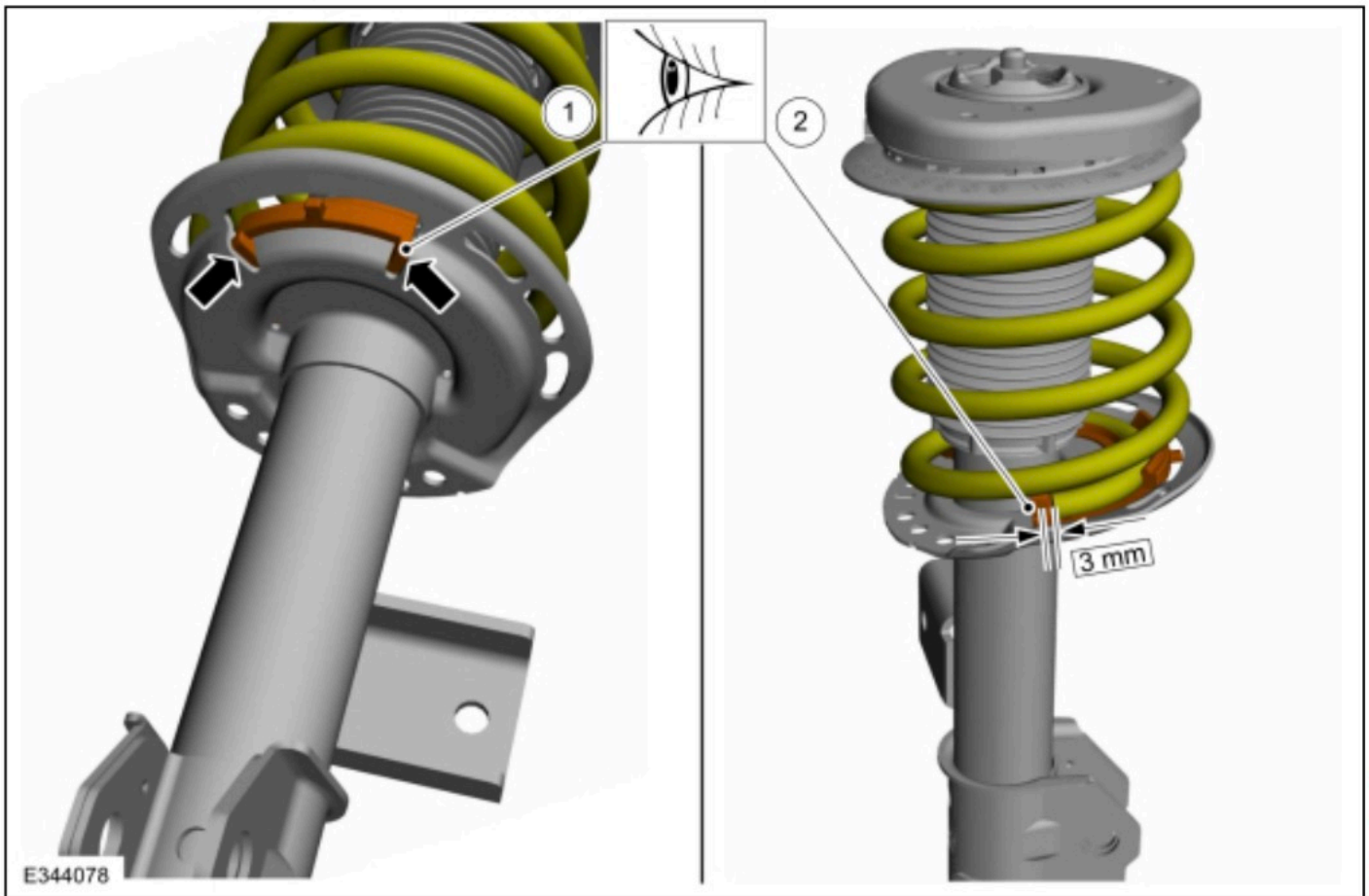
ASSEMBLY

1. **NOTE:** *Make sure that the components are installed to the position noted before removal.*

To assemble, reverse the disassembly procedure.

2. **NOTE:** *Typical assembly shown. actual application may vary.*

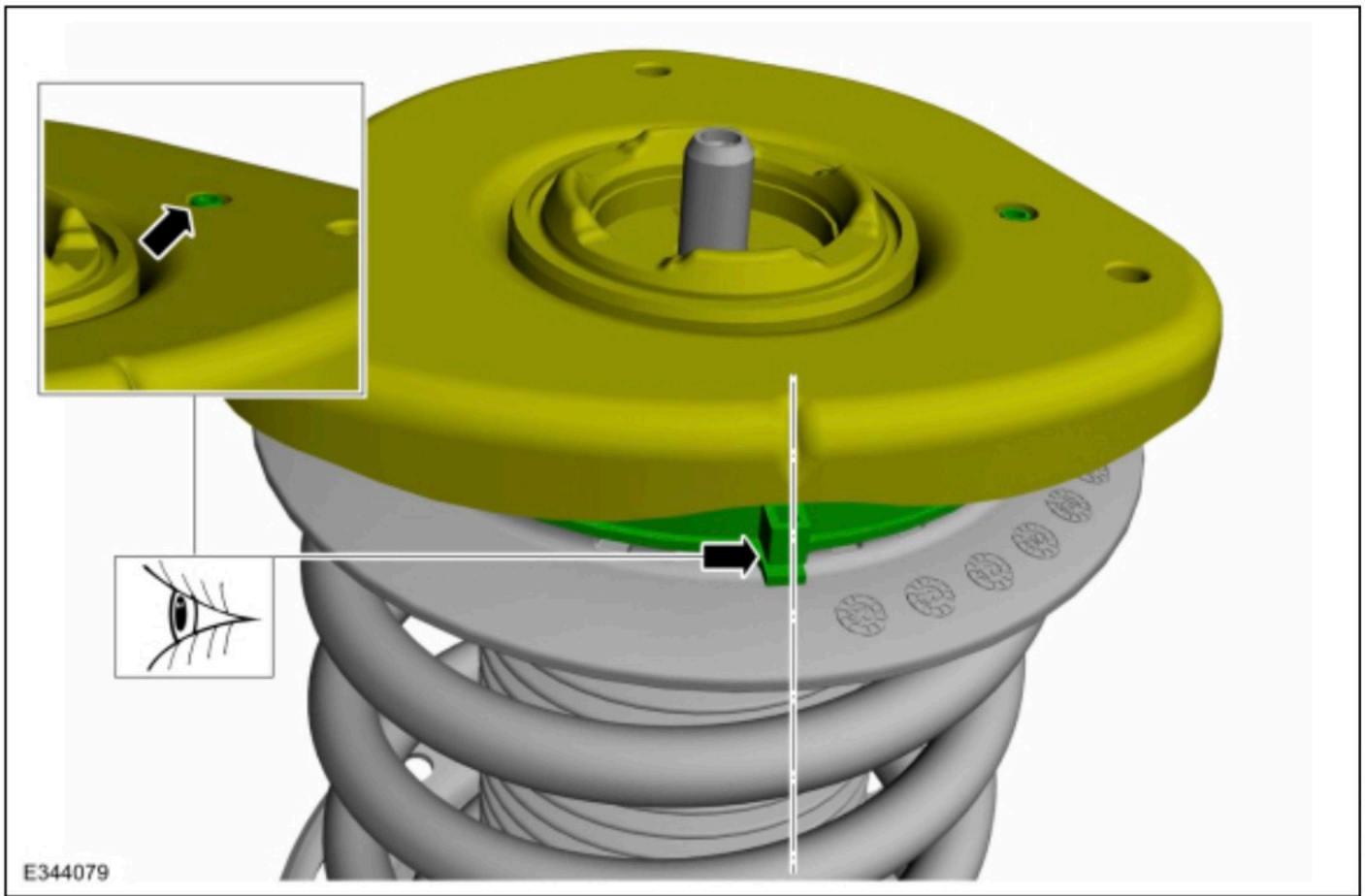
Make sure that the lower spring seat is properly installed.



3. **NOTICE:** Make sure the components are correctly aligned during assembly.

NOTE: Make sure the strut bearing tabs are aligned before compressing the spring.

Align the strut bearing tabs.



4. **WARNING:** Take extra care when handling a compressed spring. Failure to follow this instruction may result in personal injury.

NOTE: Make sure that the spring coating is not damaged during assembly process.

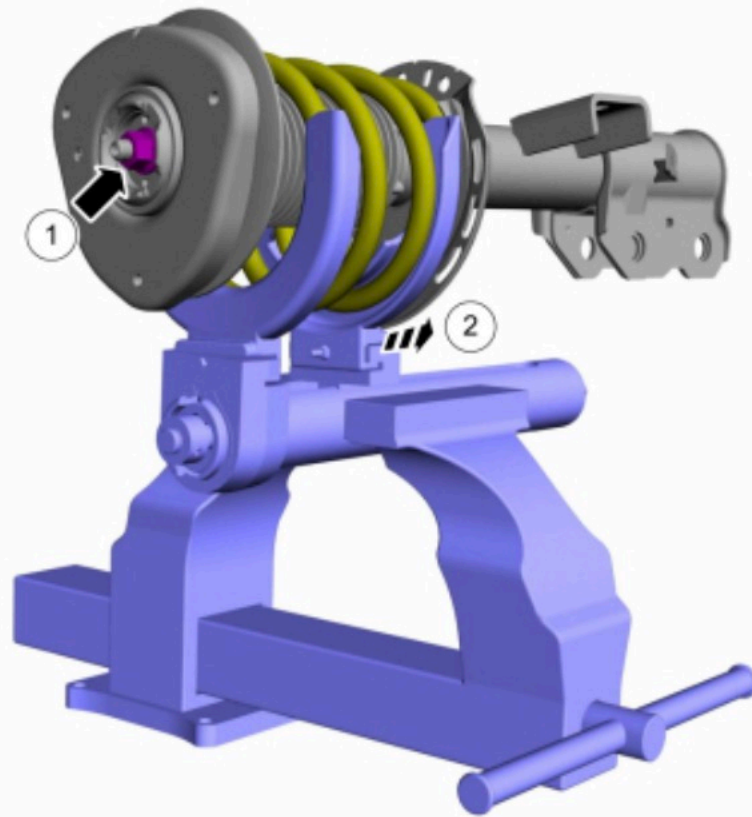
NOTE: Typical strut and spring assembly shown.

1. **NOTE:** Utilize the hex holding feature to prevent the strut rod from turning while installing the strut rod nut.

Install the new strut rod nut.

Torque : 41 lb.ft (55 Nm)

2. Remove the spring compressor.
Use the General Equipment: Spring Compressor
Use the General Equipment: Vise



E344076

5. Install the front strut and spring assembly.

Refer to: [Front Strut and Spring Assembly](#) (204-01B Front Suspension - AWD, Removal and Installation) .

© Copyright 2024, Ford Motor Company.