

Underhood Storage Compartment

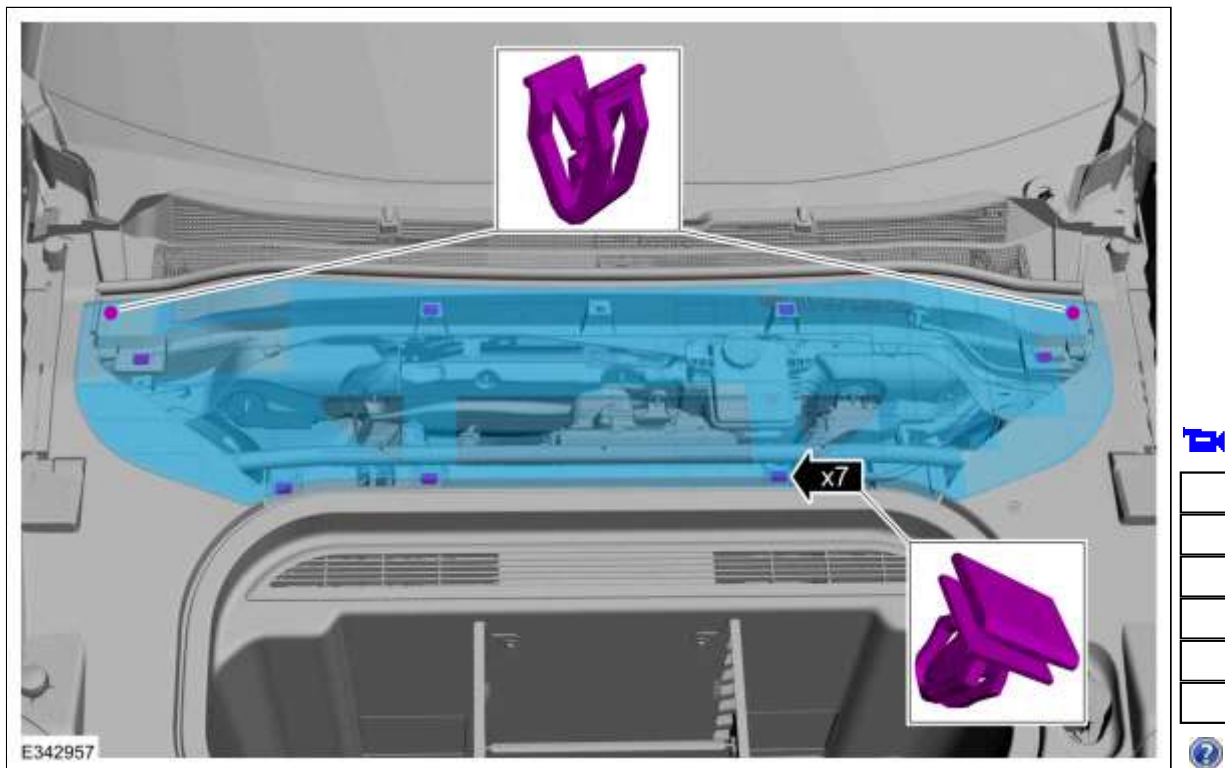
Special Tool(s) / General Equipment

Interior Trim Remover

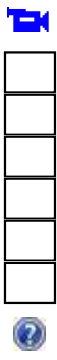
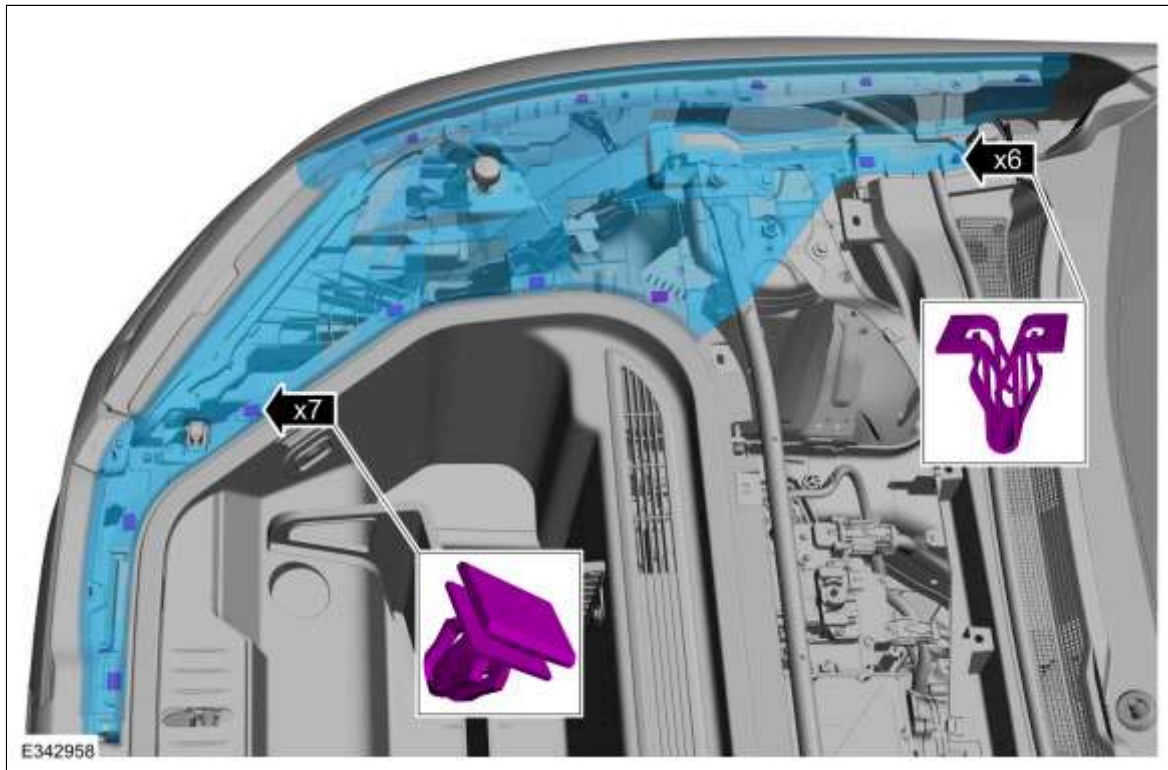
Removal

NOTE: Removal steps in this procedure may contain installation details.

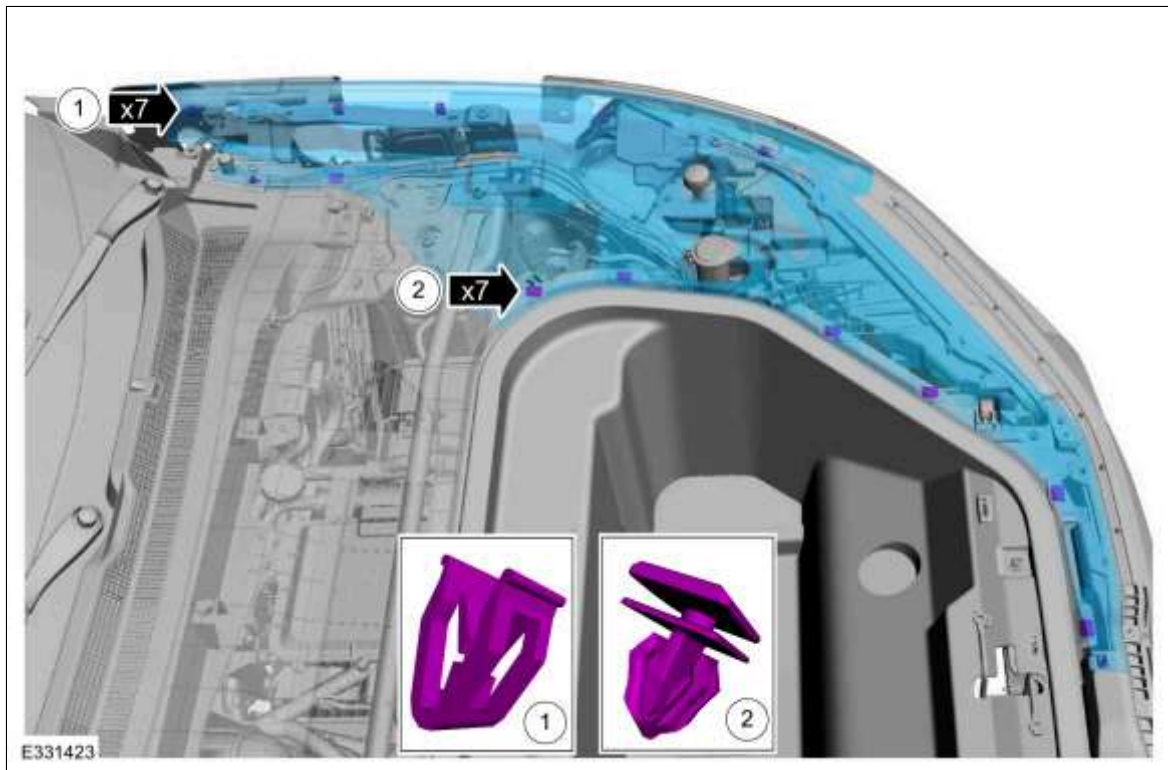
1. Detach the retainers and remove the underhood center cover.



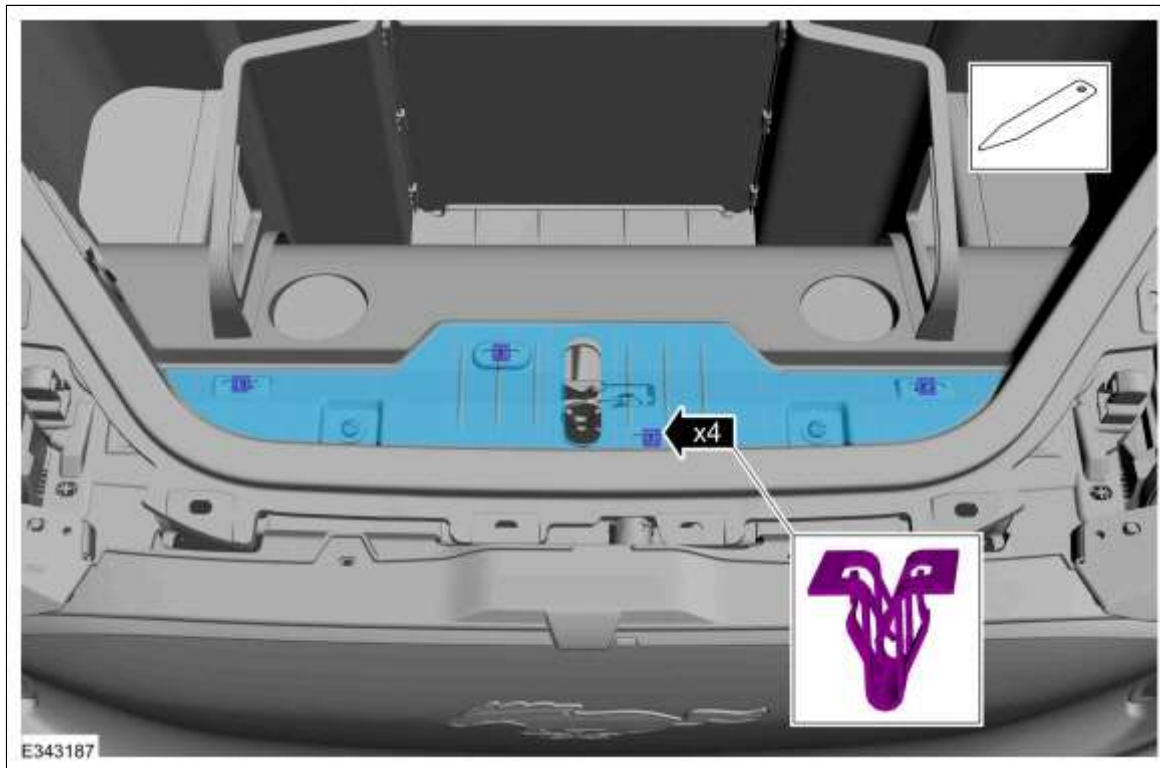
2. Detach the retainers and remove the RH cover.



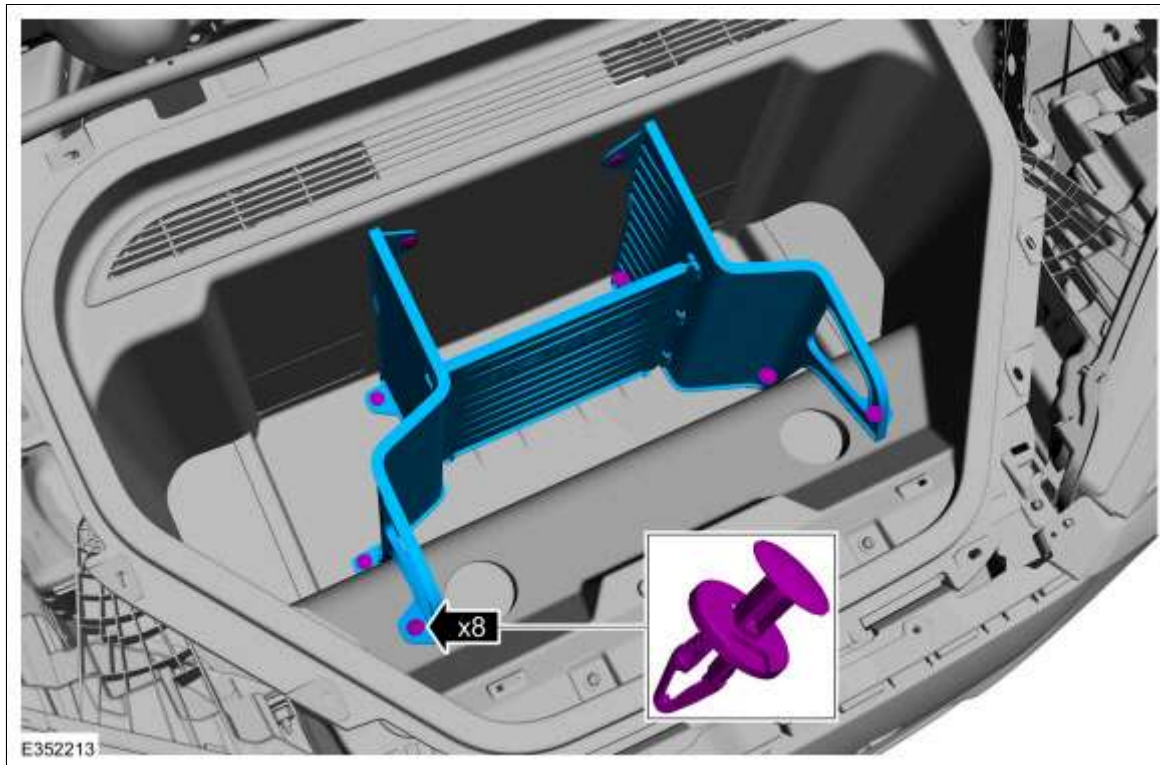
3. Detach the retainers and remove the LH cover.



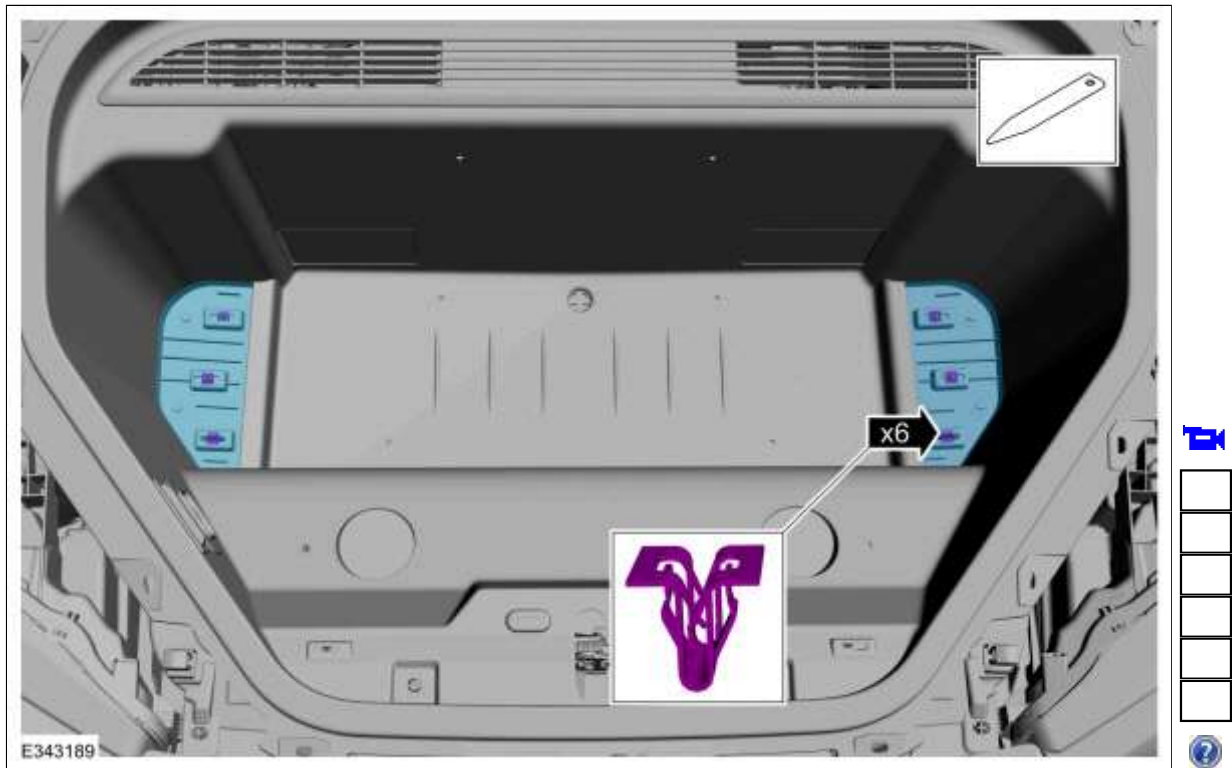
4. Detach the retainers and remove the underhood storage scuff plate.



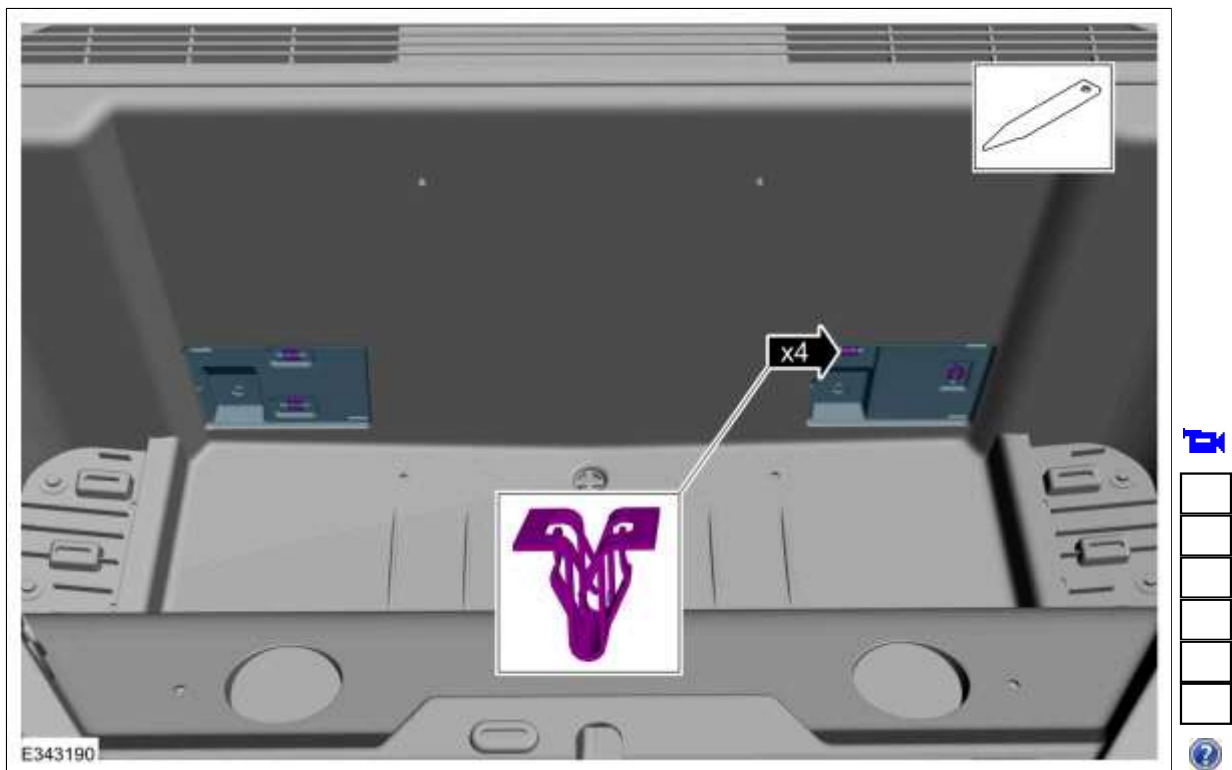
5. If equipped
Remove the pin type retainers and the underhood storage compartment partition.



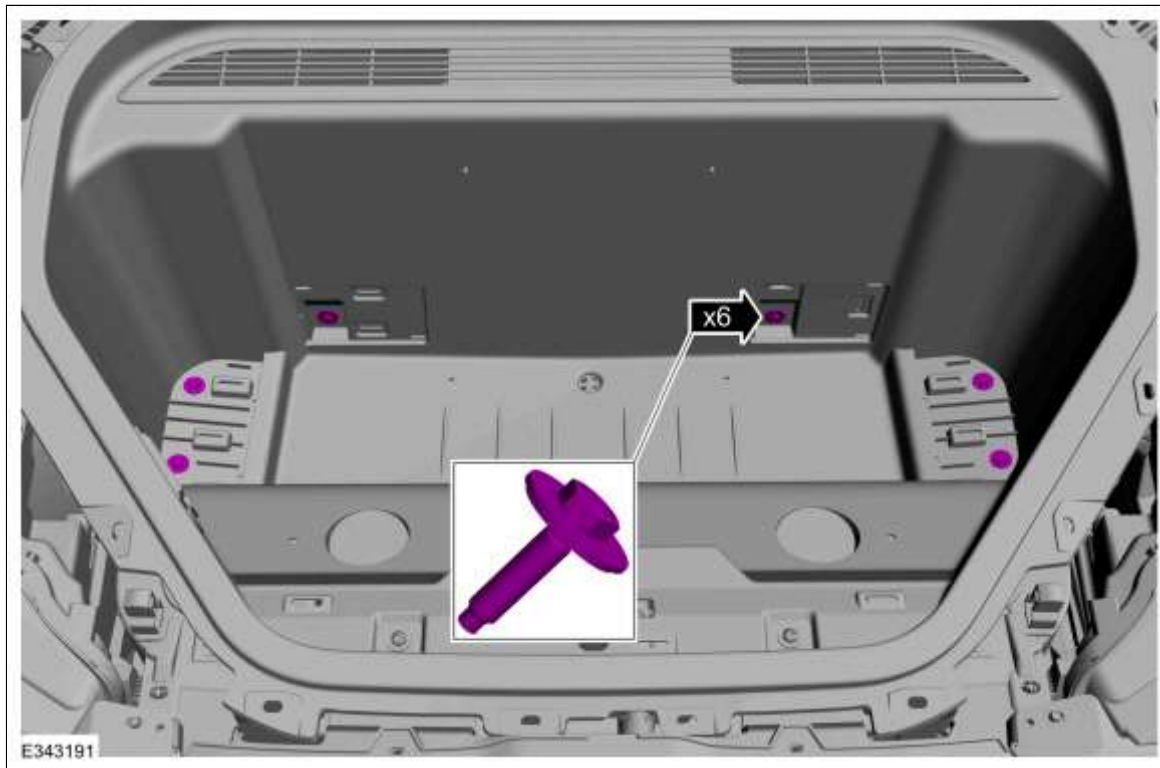
6. Detach the retainers and remove the screw cover assembly.



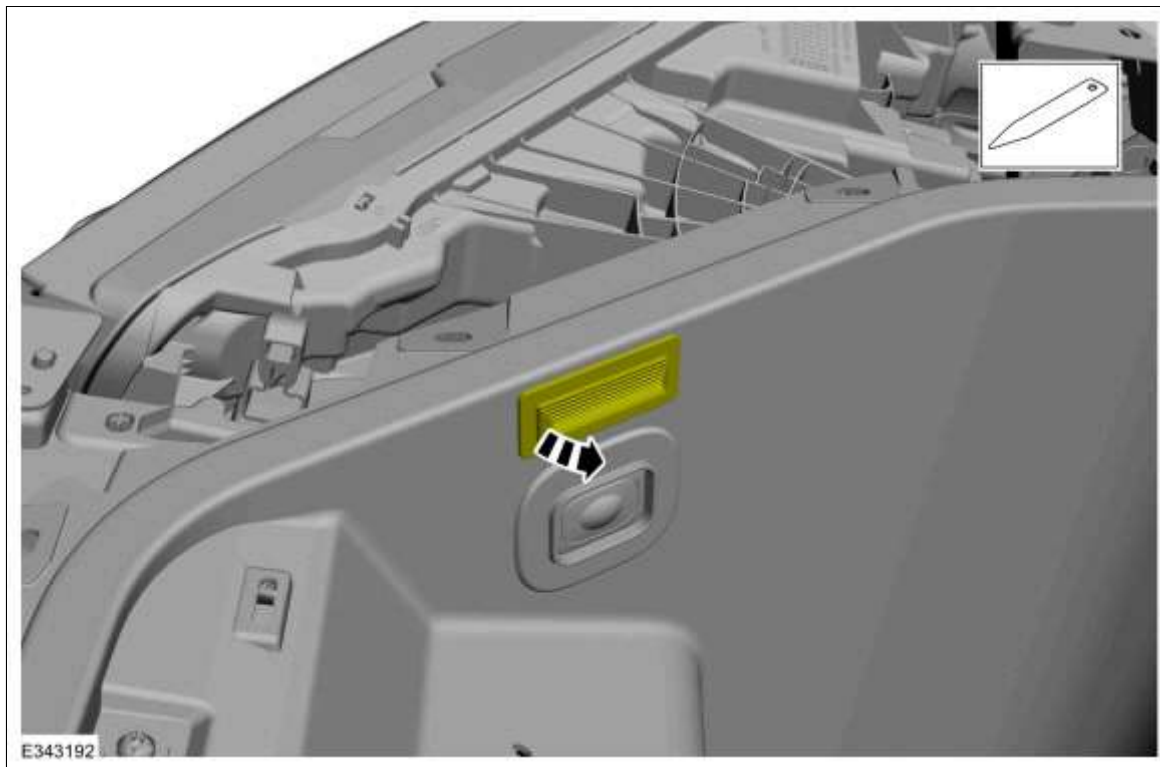
7. Detach the retainers and remove the screw cover assembly.



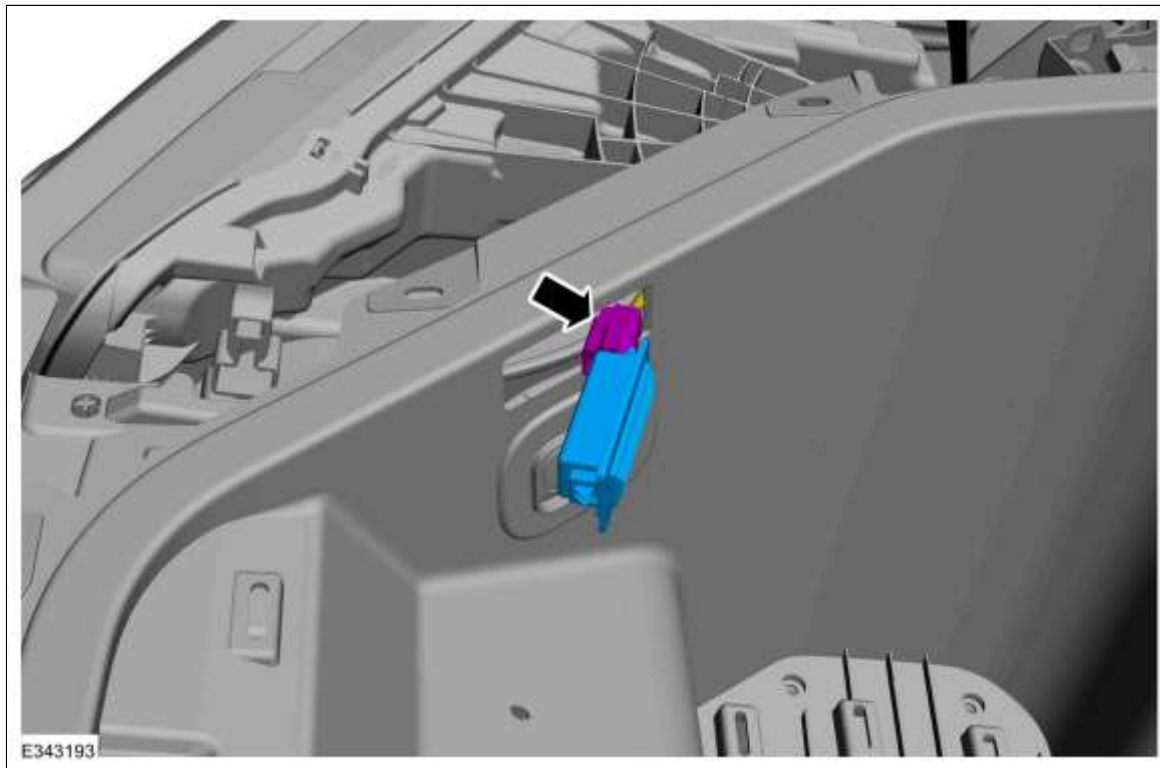
8. Remove the bolts.
Torque: 62 lb.in (7 Nm)



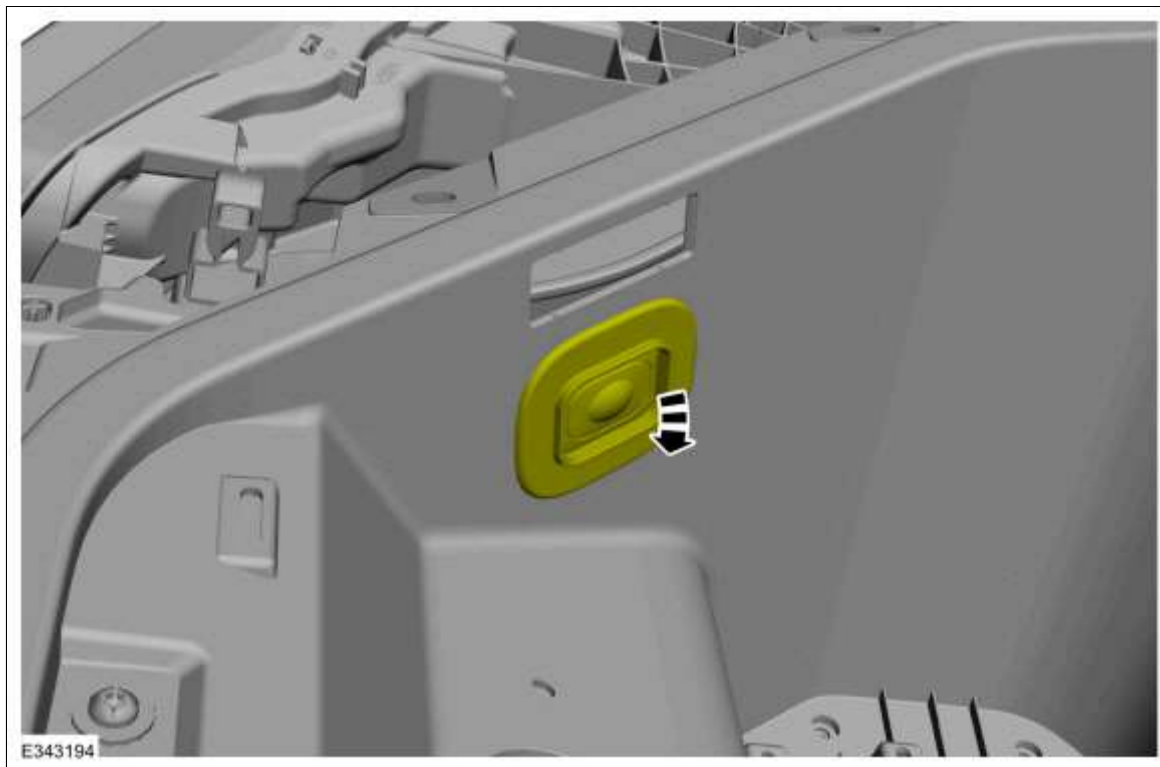
9. Using a non-marring tool, release and position the underhood storage compartment light out. Use the General Equipment: Interior Trim Remover



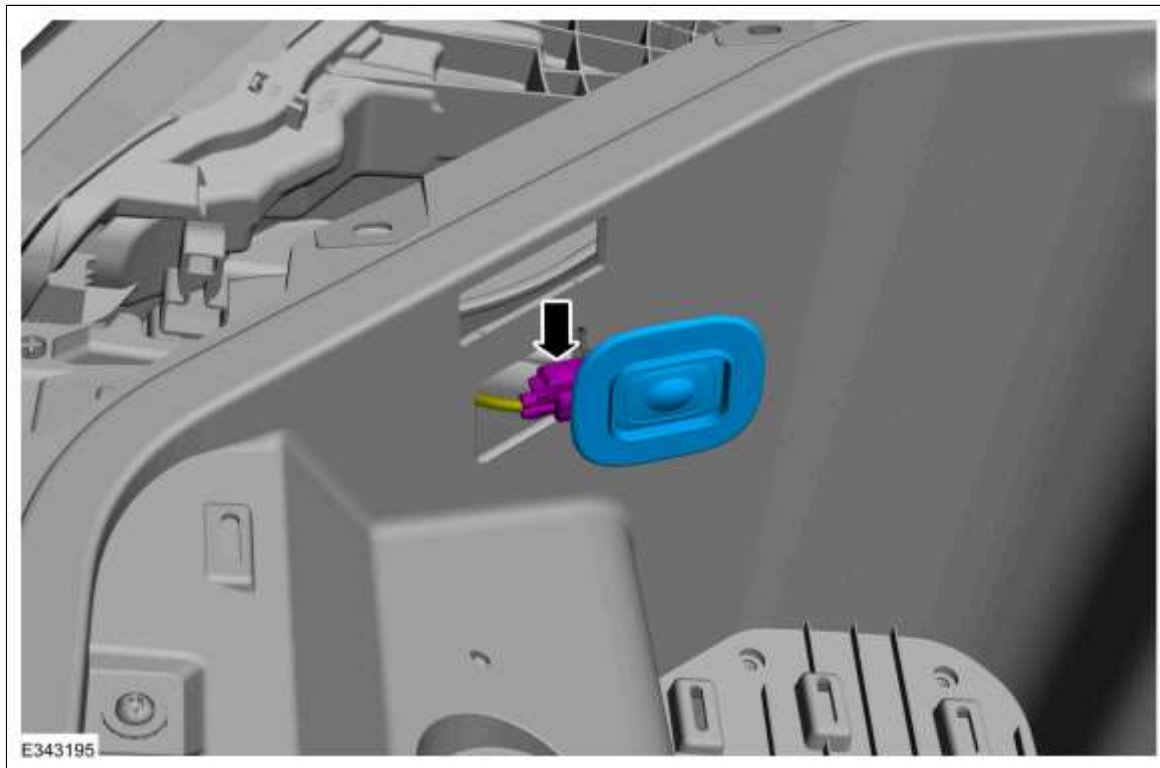
10. Disconnect the electrical connector and remove the underhood storage compartment light assembly.



11. Using a non-marring tool, release the front luggage compartment emergency release switch.
Use the General Equipment: Interior Trim Remover



12. Disconnect the electrical connector and remove the front luggage compartment emergency release switch.

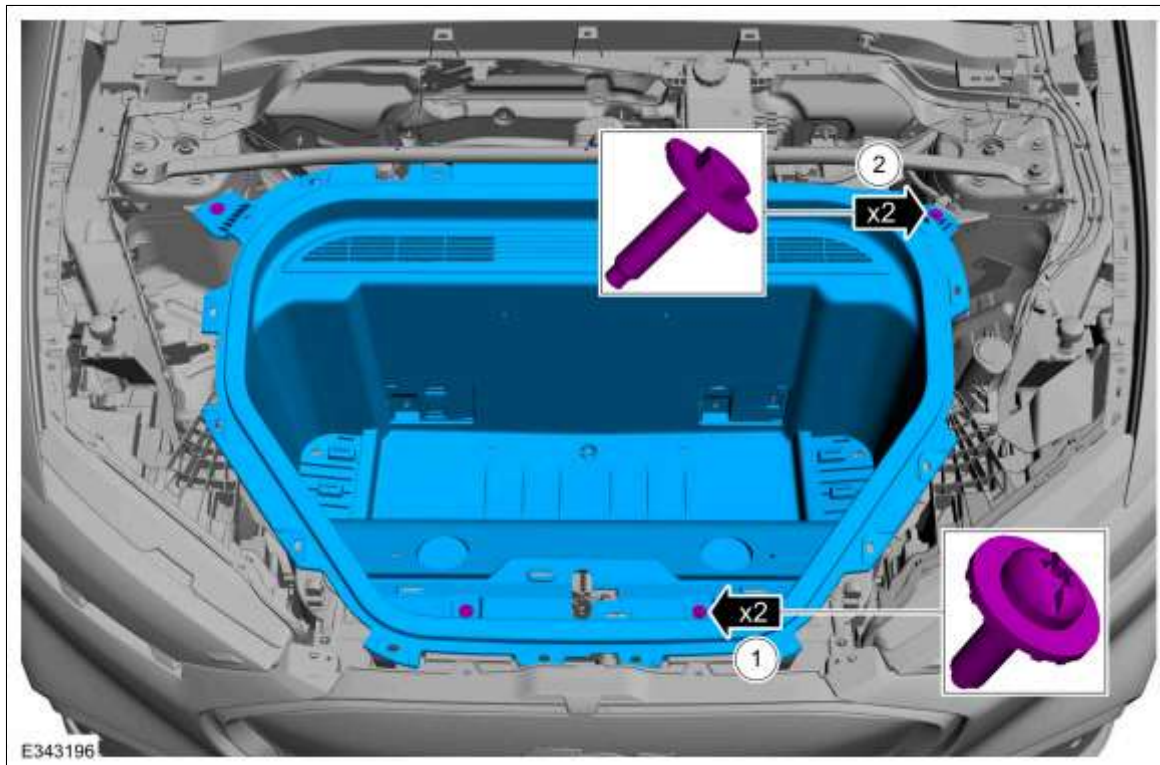


13. Remove the fasteners and the underhood storage compartment.

Torque:

1: 28 lb.in (3.2 Nm)

2: 62 lb.in (7 Nm)



Installation

1. To install, reverse the removal procedure.

