

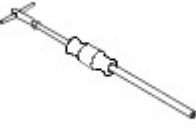
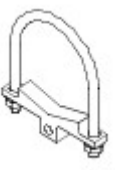
Rear Drive Halfshafts - Rear Halfshaft

Mustang Mach-E 2021 (06/2019-)

[Print](#) [Report An Error](#)

Removal and Installation

Special Tool(s)

 E129694	100-001 Slide Hammer
 E174871	205-1012 Remover, Halfshaft

Removal

NOTICE:



Never pick up or hold the halfshaft by only the inner or outer Constant Velocity (CV) joint. Damage to the CV joint will occur.



Never use a hammer to remove or install the halfshafts. Damage to the CV joint may occur.



Never use the halfshaft assembly as a lever to position other components. Damage to the halfshaft or CV joint may occur.

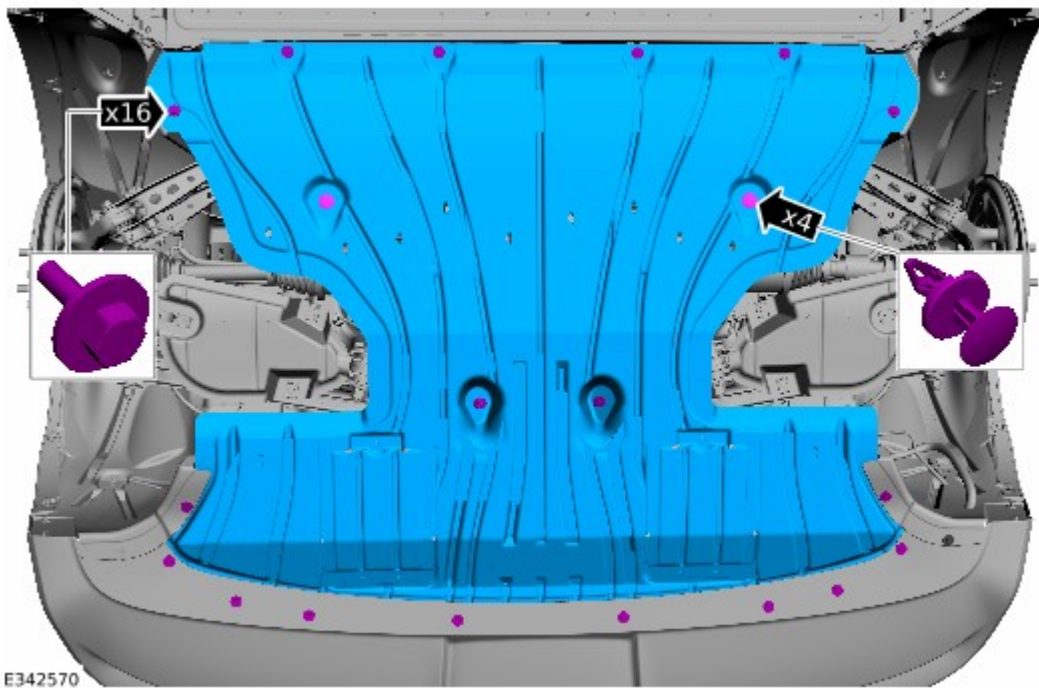


Do not allow the boots to contact sharp edges or hot exhaust components. Damage to the halfshaft boots will occur.

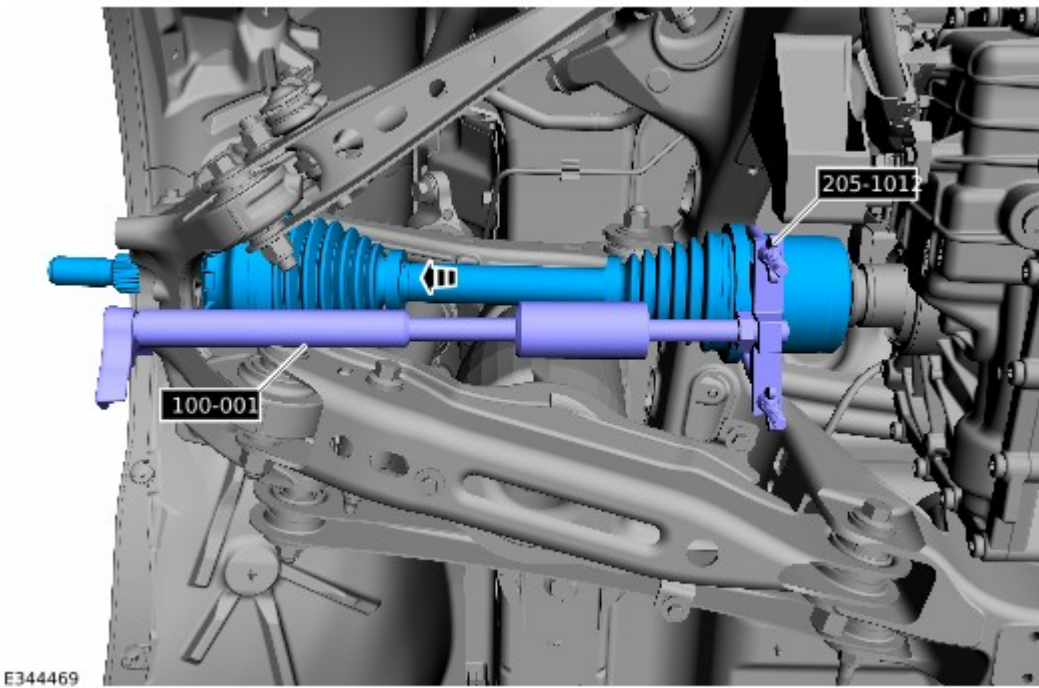


Do not drop assembled halfshafts. The impact may cut the boots from the inside without evidence of external damage.

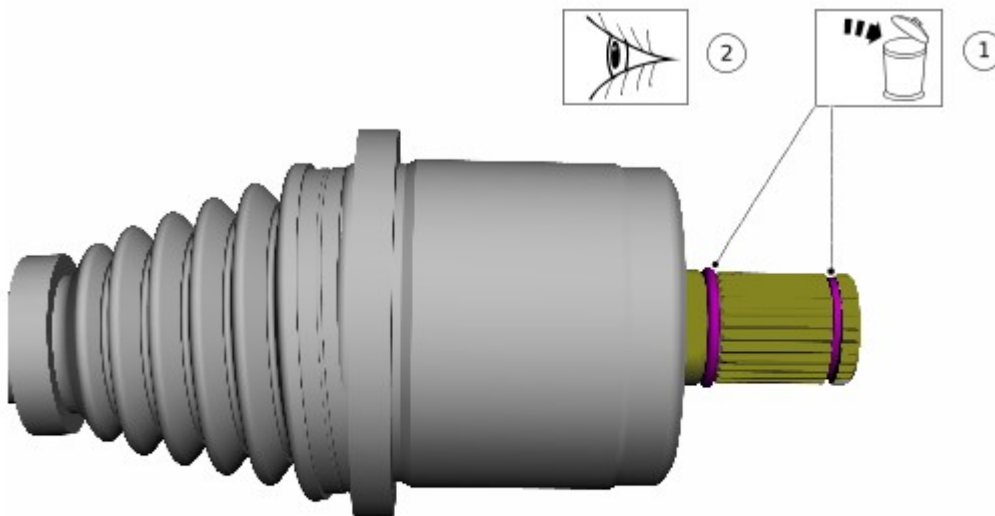
1. Refer to: [Wheel Bearing and Wheel Hub](#) (204-02 Rear Suspension, Removal and Installation).
2. *Torque:* 1.9 Nm



3. Use Special Service Tools: [205-1012](#), [100-001](#).



- 4.
- 1.
- 2.



E342567

Installation

1. **NOTE:** Use a new seal.

Replace the rear halfshaft seal.

Refer to: [Halfshaft Seal LH](#) (302-02 Rear Electric Drive Assembly, Removal and Installation).

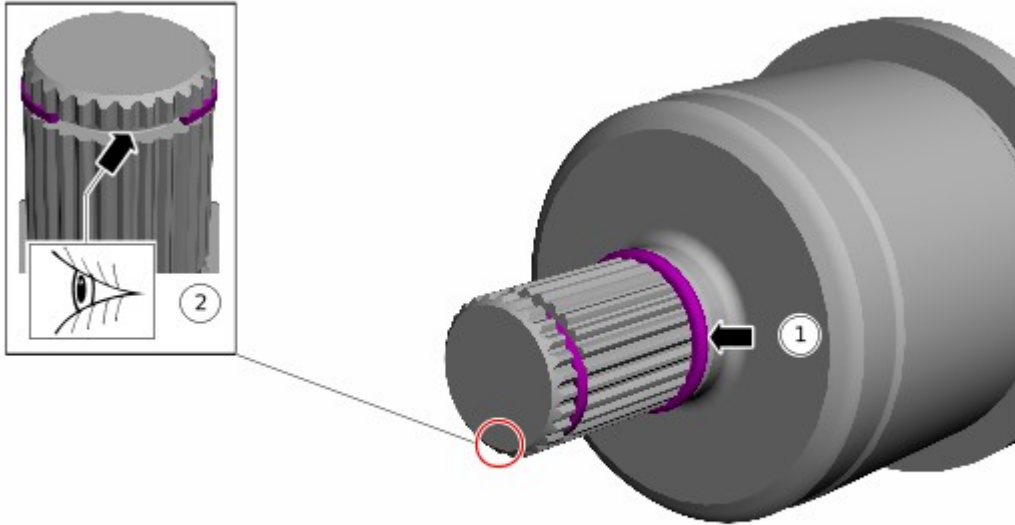
2. **null (left-hand)** side only.

- Connect **null (Ford Diagnosis and Repair System)** scan tool. Actuate the following PID: RDU_TRQ_REQ.

3. **NOTE:** Make sure that a new component is installed.

1. Install the new inner halfshaft O-ring.

2. **NOTE:** Ensure that the circlip opening is aligned and oriented to 6 o' clock position.



E342568

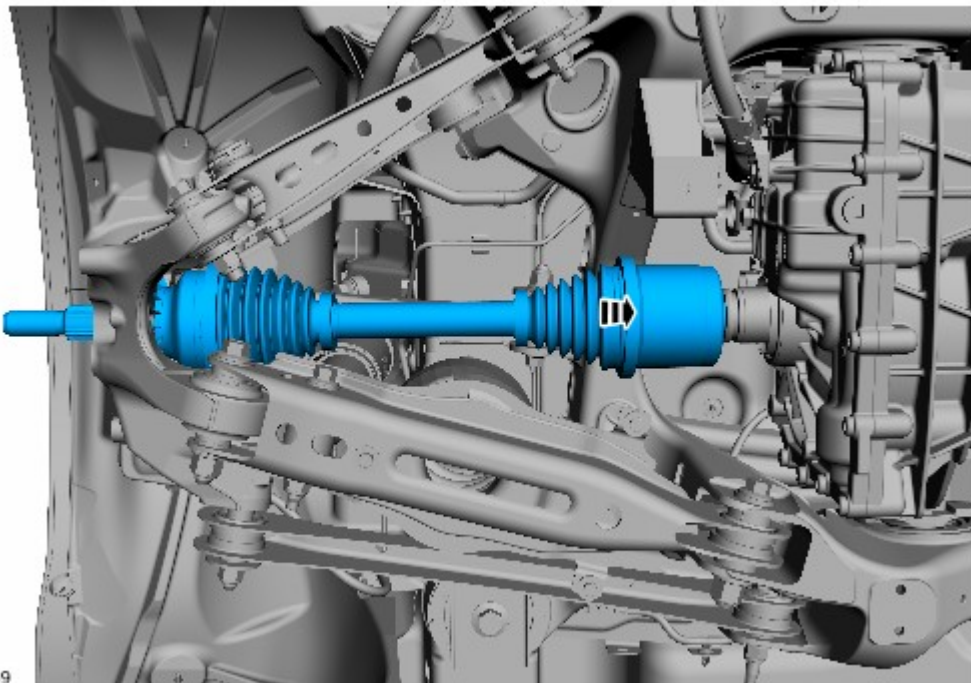
4. NOTICE:



Take extra care not to damage the seal.



Make sure that the components are correctly engaged.



E342569

5. Refer to: [Drive Assembly Oil Draining and Filling](#) (302-02 Rear Electric Drive Assembly, General Procedures).

6. Refer to: [Wheel Bearing and Wheel Hub](#) (204-02 Rear Suspension, Removal and Installation).