

## Headliner



### Special Tool(s) / General Equipment

Interior Trim Remover
--------------------------

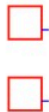
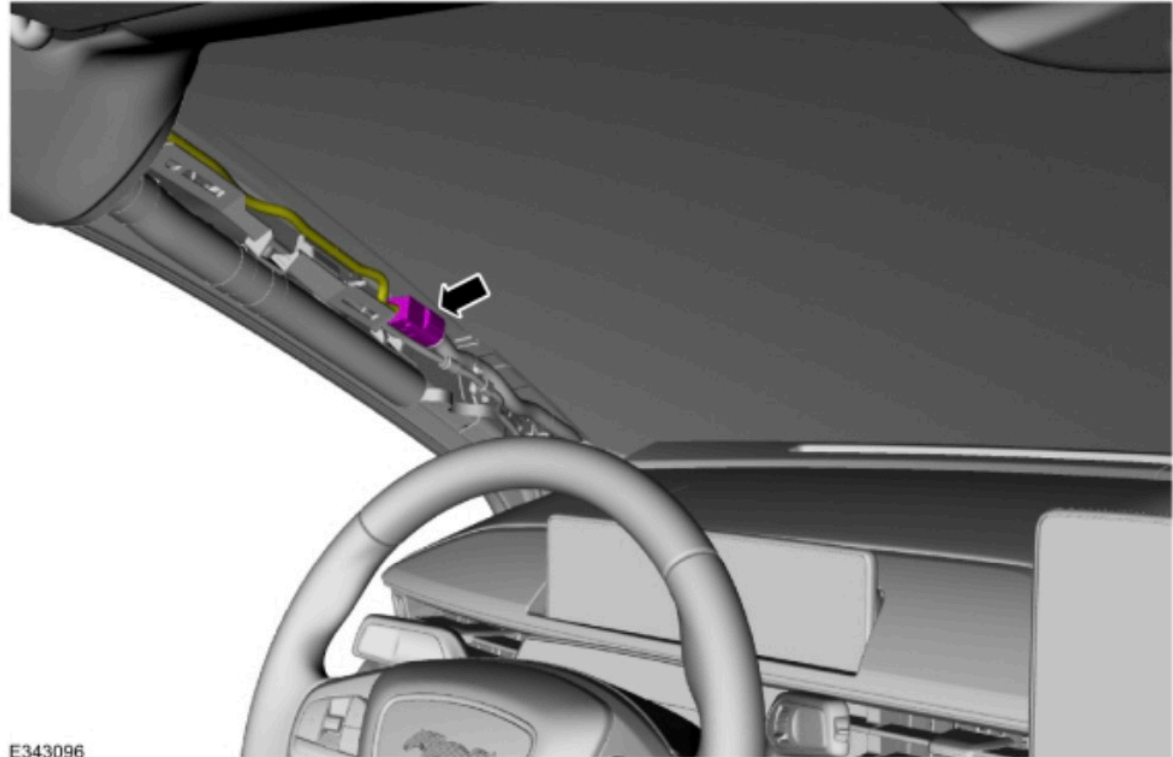
### Materials

Name	Specification
3M™ Super-Fast Repair Adhesive 04747	-

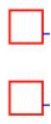
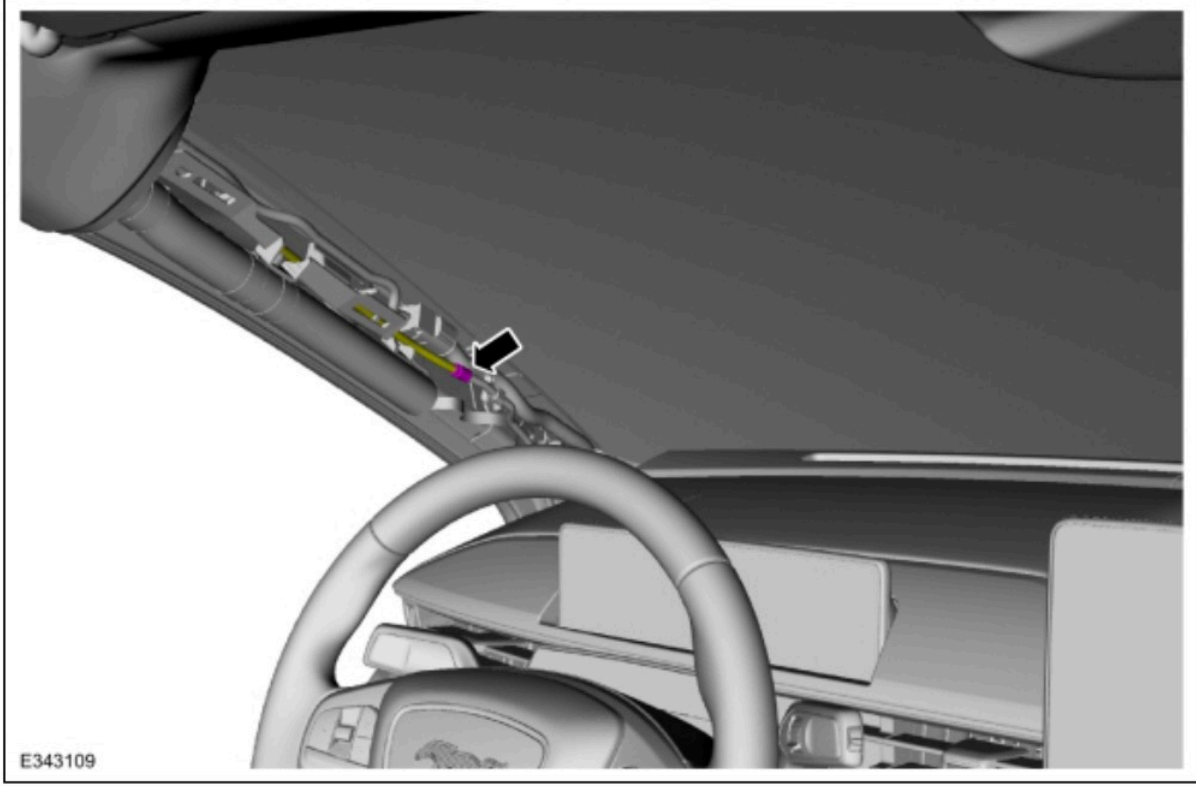
### Removal

**NOTE:** Left hand drive (LHD) shown, right hand drive (RHD) similar.

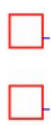
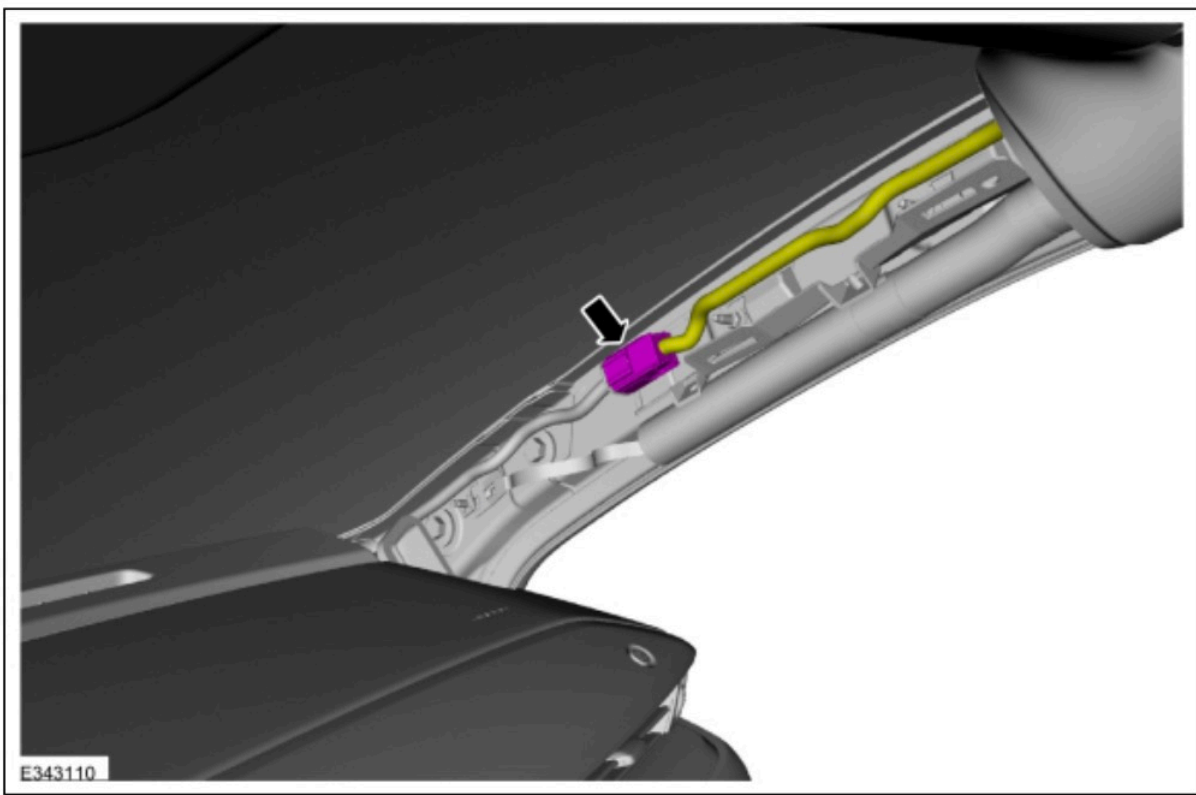
1. Remove the following items:
  1. On both sides.  
Remove the A-pillar trim panel.  
Refer to: [A-Pillar Trim Panel](#) (501-05 Interior Trim and Ornamentation, Removal and Installation) .
  2. On both sides.  
Remove the upper B-pillar trim panel.  
Refer to: [B-Pillar Trim Panel](#) (501-05 Interior Trim and Ornamentation, Removal and Installation) .
  3. On both sides.  
Remove the C-pillar trim panel.  
Refer to: [C-Pillar Trim Panel](#) (501-05 Interior Trim and Ornamentation, Removal and Installation) .
2. On LH side.  
Disconnect headliner wiring harness electrical connector.



3. On LH side.  
Disconnect the rear washer hose.  
Refer to: [Washer Hose Coupling](#) (501-16 Wipers and Washers, General Procedures) .



- 4. On RH side.  
Disconnect the headliner wiring harness electrical connector.

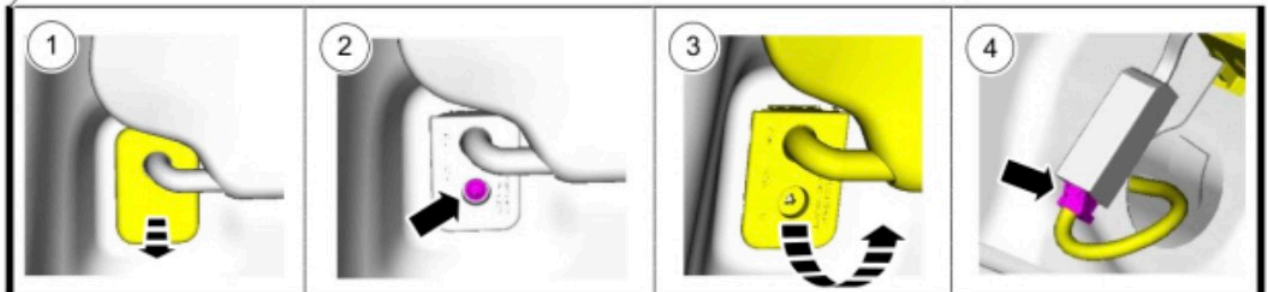
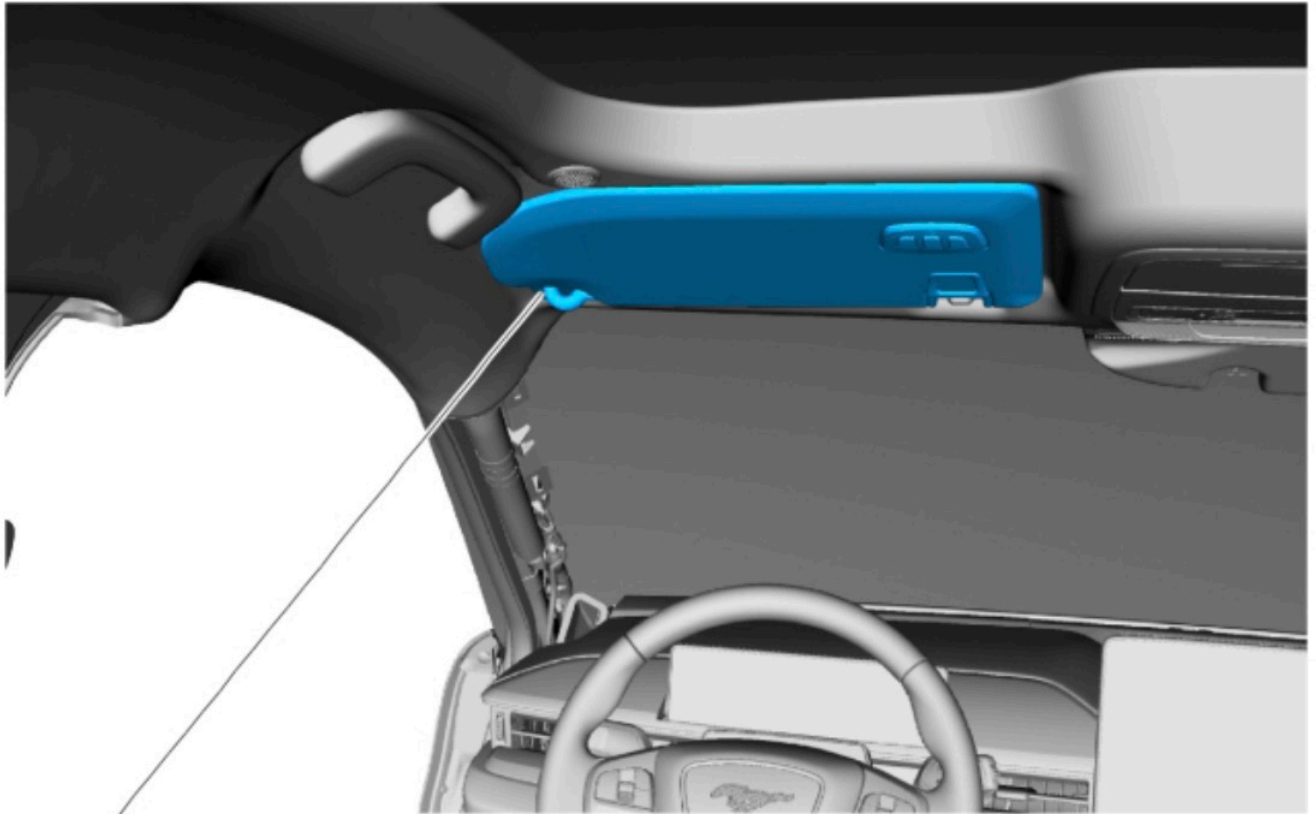


5. **NOTE:** *Left hand (LH) shown, right hand (RH) similar.*

On both sides.

Remove the sun visor.

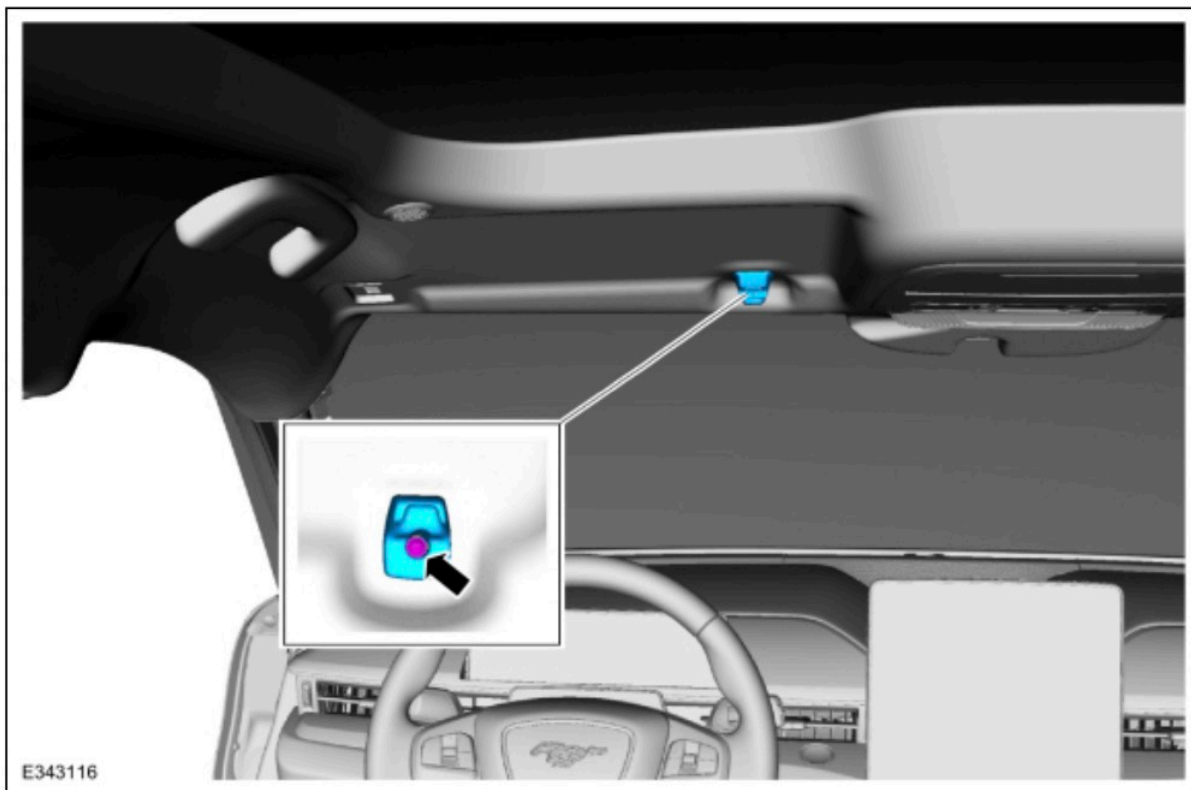
1. Position the sun visor screw cover aside.
2. Remove the sun visor screw.
3. Rotate the sun visor downward.
4. Disconnect the sun visor electrical connector.



6. **NOTE:** *Left hand (LH) shown, right hand (RH) similar.*

On both sides.

Remove the screw and the sun visor clip.

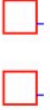
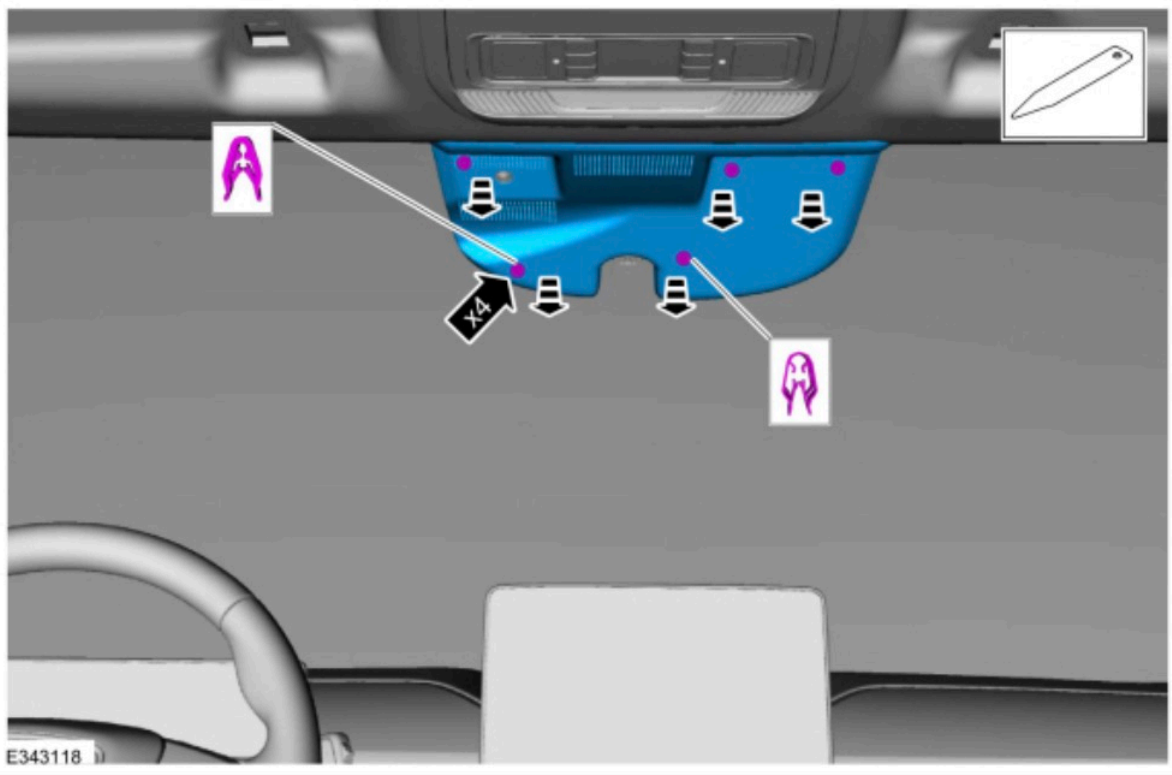


7. **NOTE:** *Interior rear view mirror removed for clarity.*

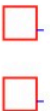
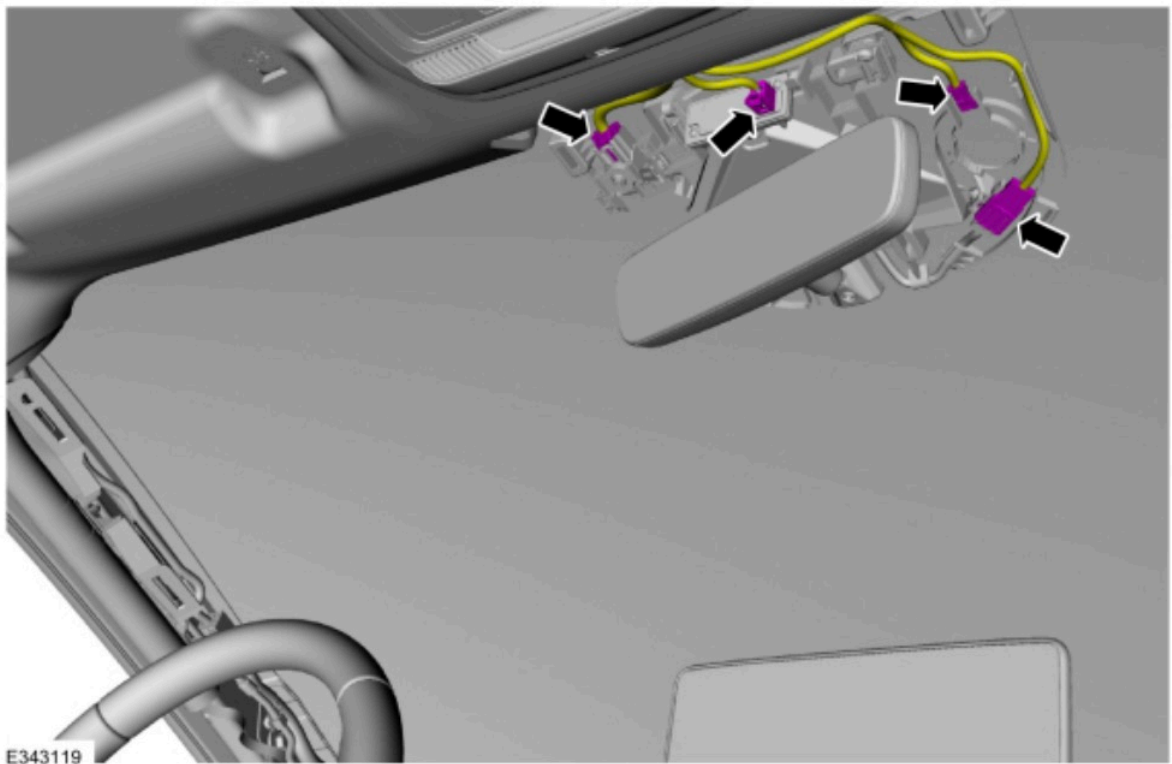
If equipped.

Release the clips and remove the rear view mirror cover.

Use the General Equipment: Interior Trim Remover



8. If equipped.  
Disconnect the headliner electrical connectors.

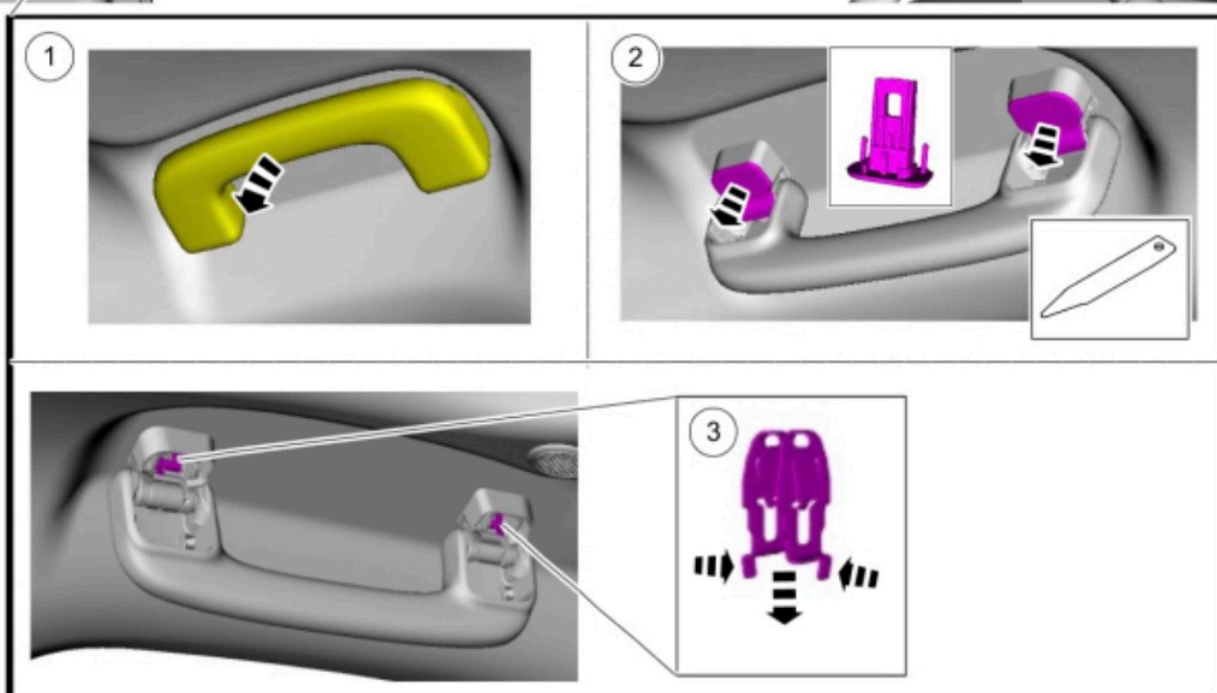
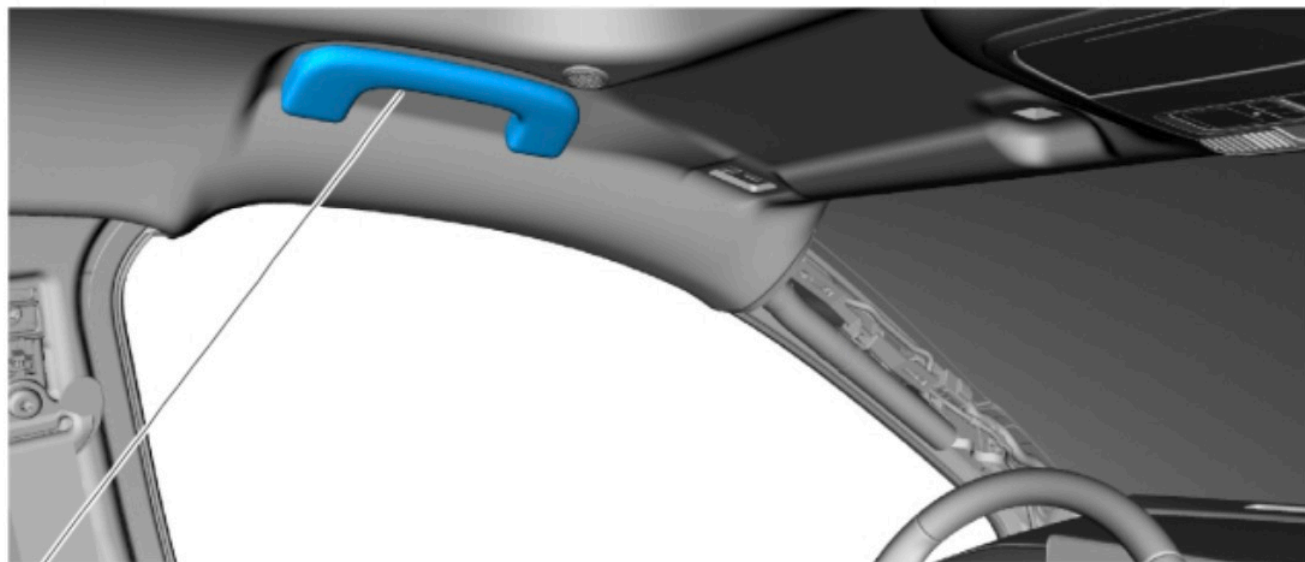


9. **NOTE:** *Left hand (LH) shown, right hand (RH) similar.*

On both sides.

Remove the front assist handle.

1. Position the front assist handle down.
2. Remove the front assist handle retainers.  
Use the General Equipment: Interior Trim Remover
3. Remove the front assist handle clips.

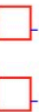
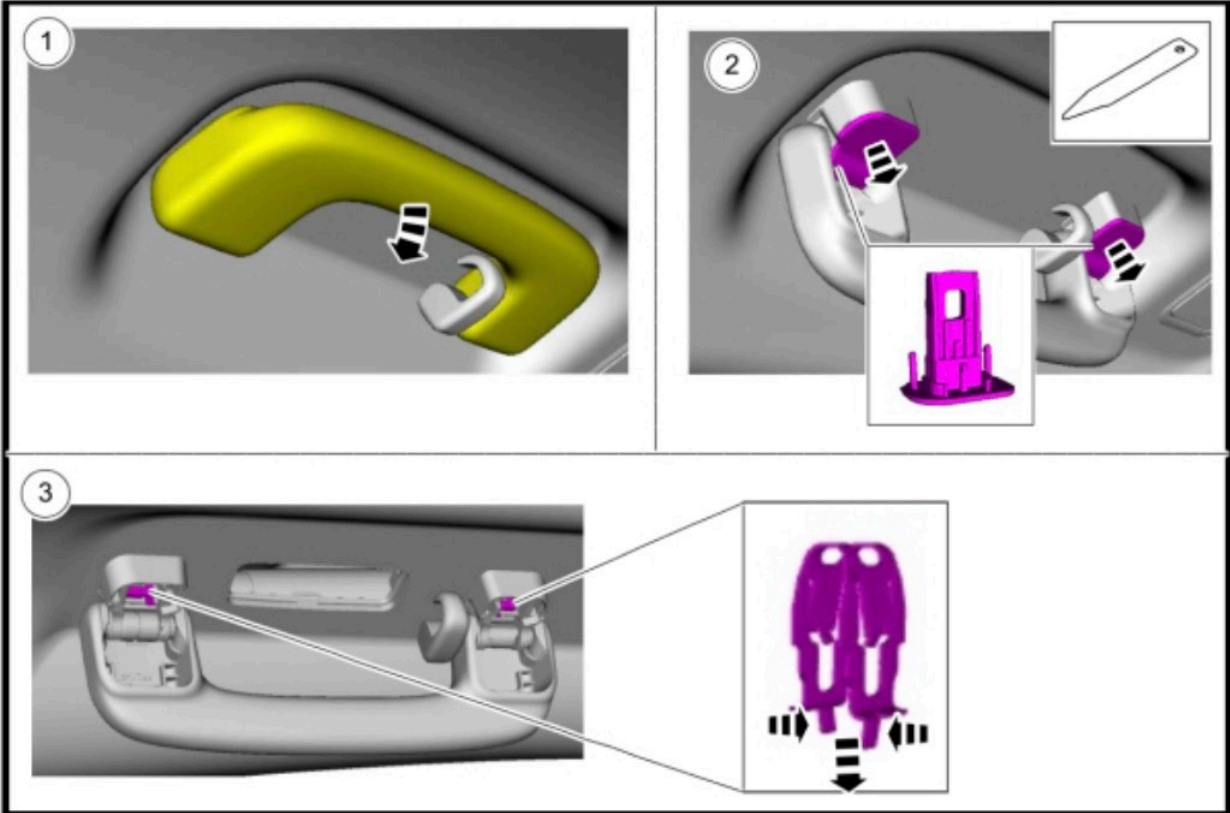
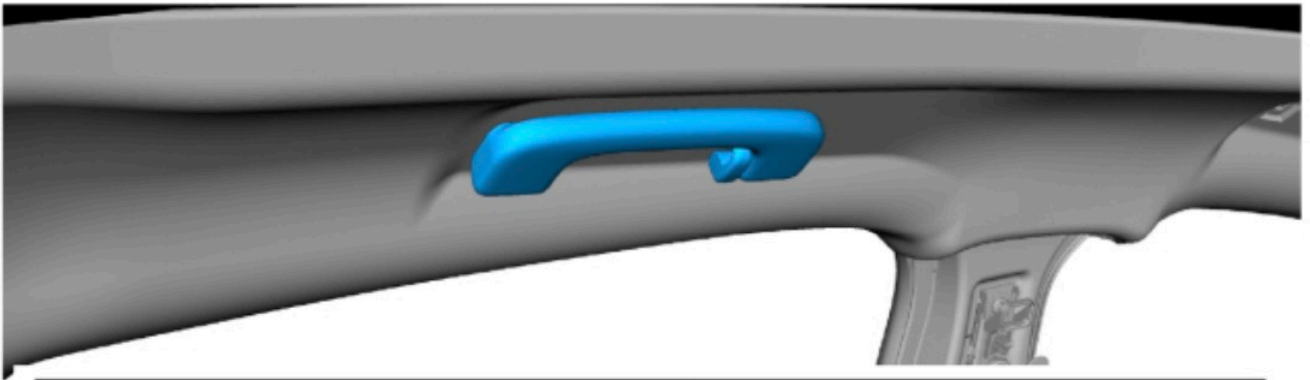


10. **NOTE:** *Left hand (LH) shown, right hand (RH) similar.*

On both sides.

Remove the rear assist handle.

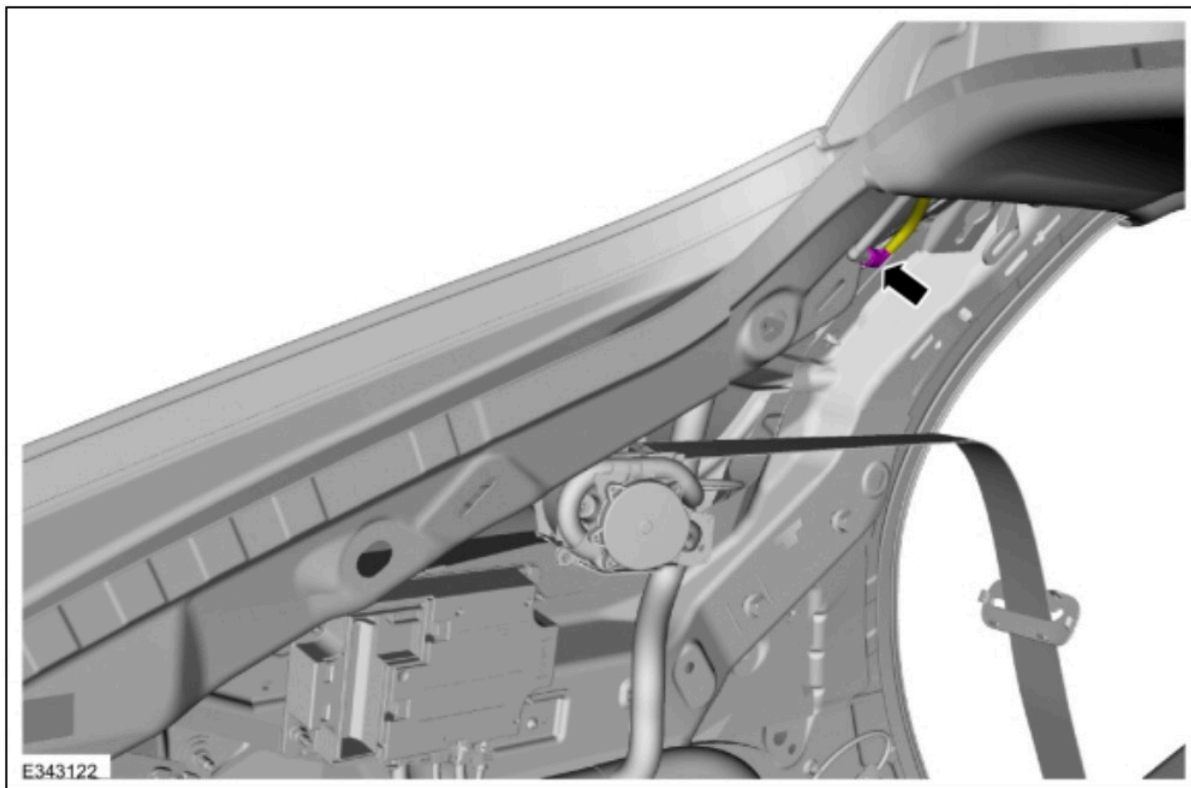
1. Position the rear assist handle down.
2. Remove the rear assist handle retainers.  
Use the General Equipment: Interior Trim Remover
3. Remove the rear assist handle clips.



11. On LH side.

Disconnect the rear washer hose.

Refer to: [Washer Hose Coupling](#) (501-16 Wipers and Washers, General Procedures) .



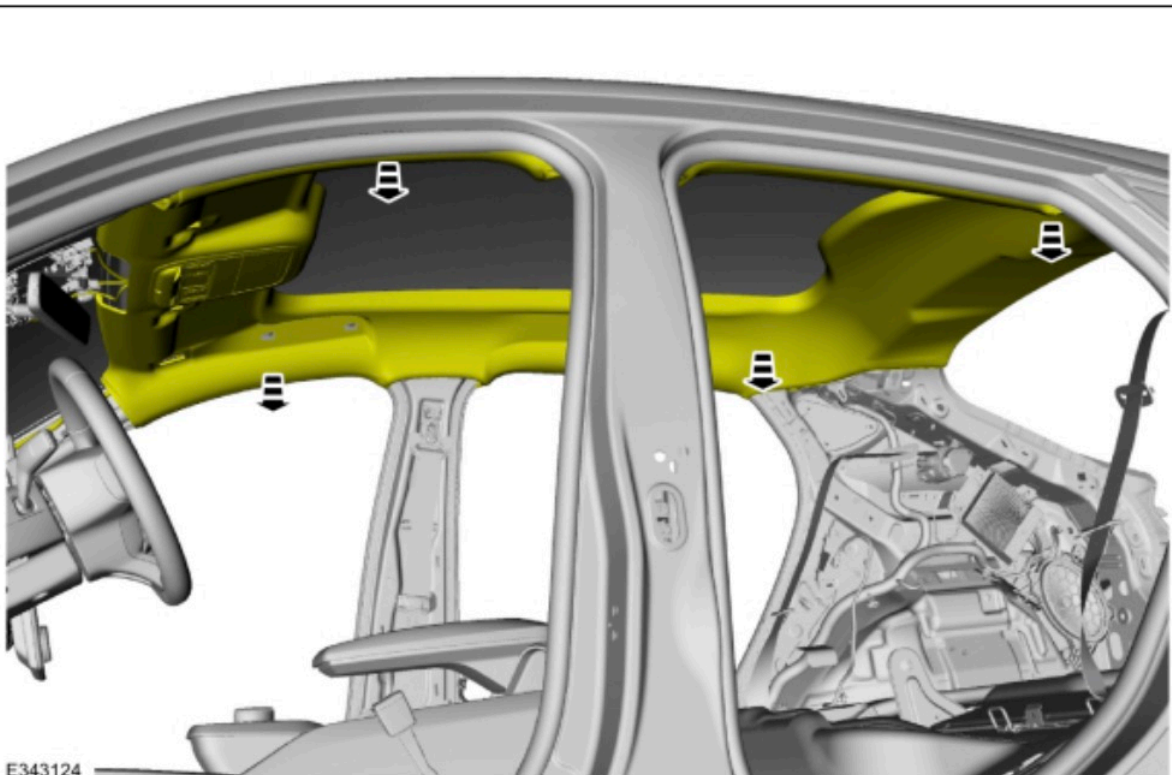
12. On both sides.

Position the front seat backrests in the full reclined position.



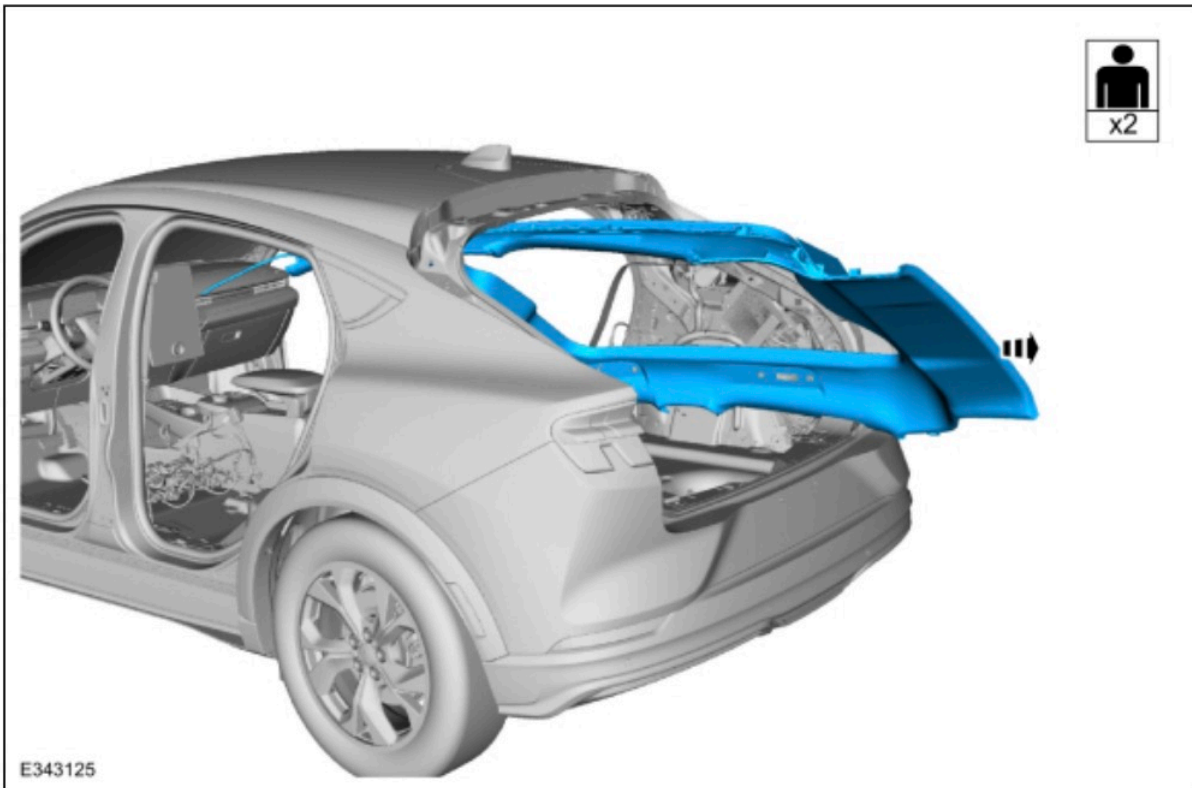
E343123

13. Lower the headliner.



E343124

14. Remove the headliner through the liftgate opening.



## Installation

1. **NOTE:** *These steps are only necessary when installing a new component.*

**NOTE:** *When transferring the headliner harness to a new headliner note the location of each electrical connector during removal and maintain those locations when transferring the harness. If equipped with noise cancellation the microphone connectors are the same but are not interchangeable and must maintain their original locations for the system to operate correctly.*

**NOTE:** *Obtain the specified adhesive commercially. Depending on the headliner and optional wiring harness (es), the purchase of multiple tubes is suggested.*

1. Using tape, mark the wire at the exit points for proper length from headliner-to-body / roof connectors.
2. Carefully remove the wiring harness from the original headliner.
3. Using a marking tool, mark the new headliner with the routing and exit points of the wiring harness from the original headliner.
4. **NOTICE:** **Make sure not to damage the wiring harness when cutting the excess adhesive from the wiring harness.**

Cut and remove any excess adhesive from the wiring harness.

5. Position the wiring harness onto the new headliner, making sure the harness has enough length to be connected to the body / roof connectors at the tape location(s) applied earlier. Apply tape to temporarily hold the wiring harness in position on the headliner.

6. Apply the adhesive in the same location as the factory installed adhesive along the full length of the wiring harness-to-headliner to avoid any NVH concern(s).

*Material : 3M™ Super-Fast Repair Adhesive / 04747*

2. **NOTE:** *Transfer parts as necessary.*

To install, reverse the removal procedure.

© Copyright 2024, Ford Motor Company.

---