

## Loadspace Trim Panel



### Special Tool(s) / General Equipment

Interior Trim Remover

### Removal

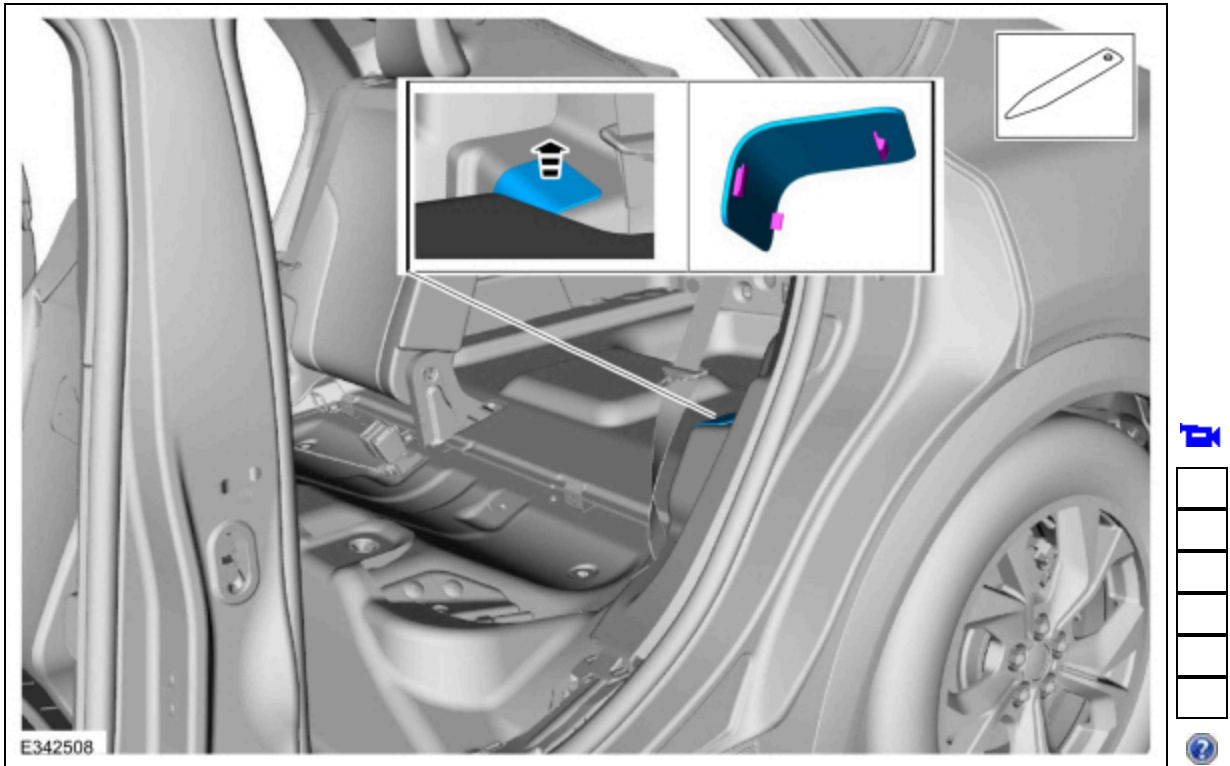
**NOTE:** Left hand drive (LHD) shown, right hand drive (RHD) similar.

**NOTE:** Left hand (LH) shown, right hand (RH) similar.

1. Remove the rear scuff plate trim panel.  
Refer to: [Rear Scuff Plate Trim Panel](#) (501-05 Interior Trim and Ornamentation, Removal and Installation).
2. Remove the loadspace scuff plate trim panel.  
Refer to: [Loadspace Scuff Plate Trim Panel](#) (501-05 Interior Trim and Ornamentation, Removal and Installation).
3. Remove the rear seat backrest.  
Refer to: [Rear Seat Backrest](#) (501-10B Rear Seats, Removal and Installation).
4. Position the liftgate weather strip aside.

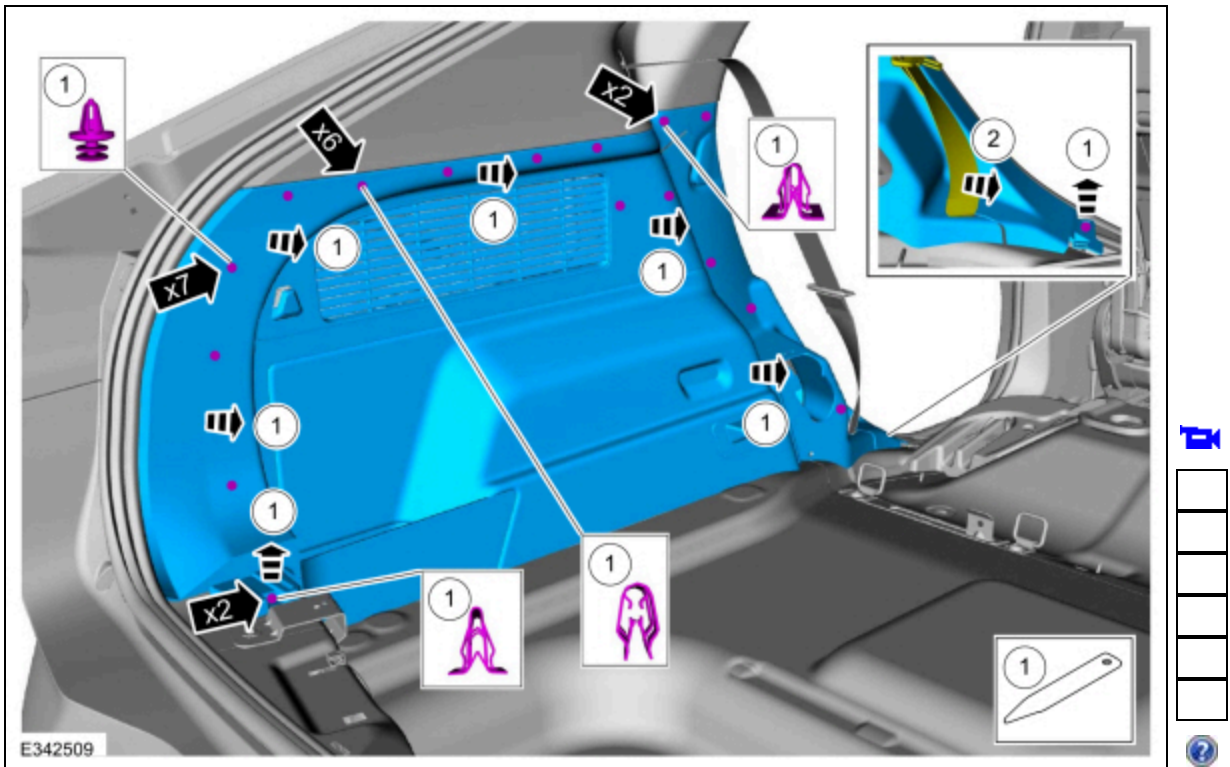


5. Release the tabs and remove the loadspace trim panel cover.  
Use the General Equipment: Interior Trim Remover



**Left hand side**

6. Remove the loadspace trim panel.
  1. Release the loadspace trim panel clips.  
Use the General Equipment: Interior Trim Remover
  2. Position the rear seatbelt retractor and pretensioner through the opening in the loadspace trim panel.



**Right hand side**

7.

Remove the loadspace trim panel.

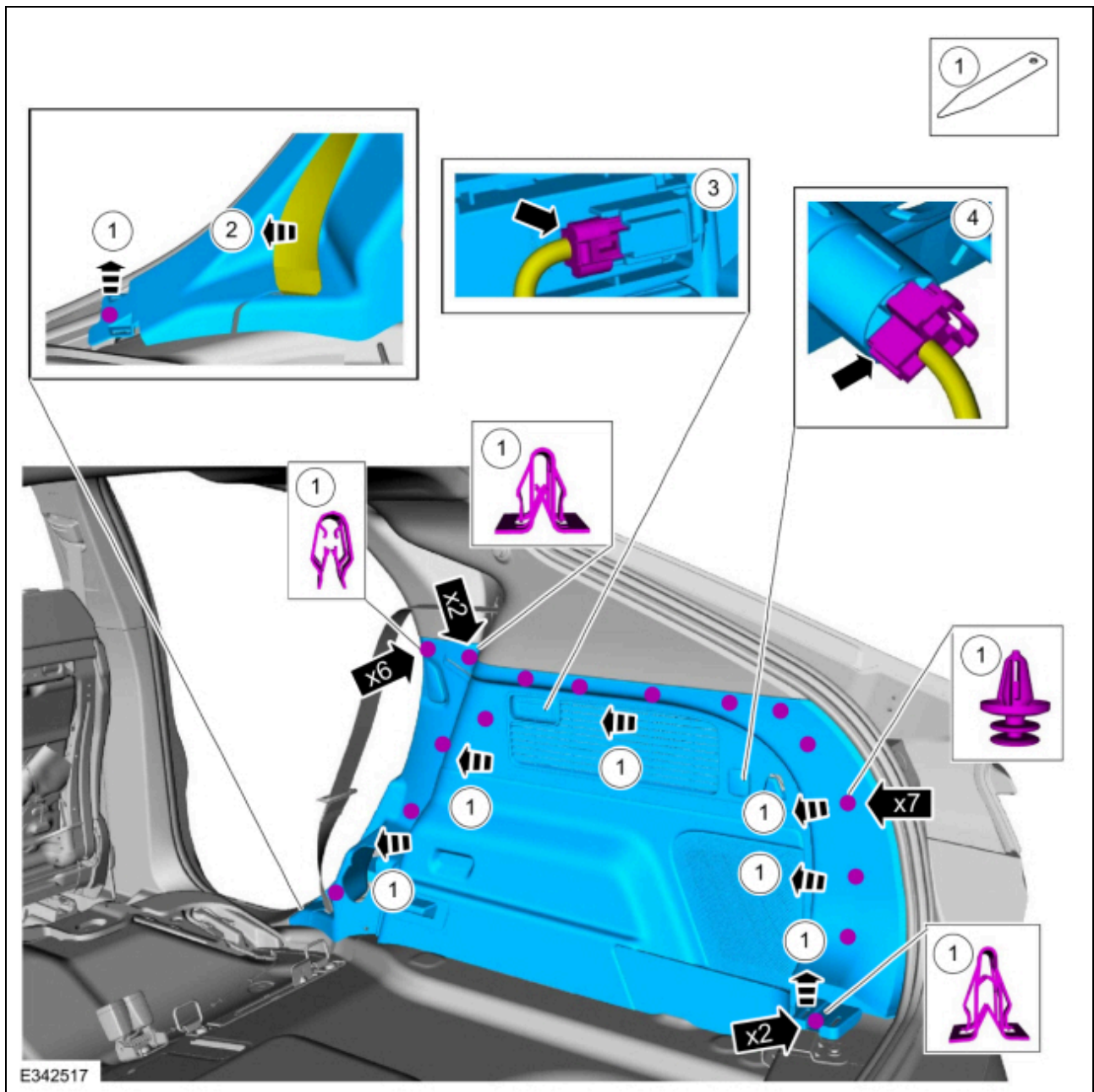
1. Release the loadspace trim panel clips.

Use the General Equipment: Interior Trim Remover

2. Position the rear seatbelt retractor and pretensioner through the opening in the loadspace trim panel.

3. Disconnect the loadspace interior lamp electrical connector.

4. Disconnect the power point electrical connector.



## Installation

1. **NOTE:** During installation, make sure the seatbelt webbing is not twisted and seatbelts and buckles are accessible to the occupants.

To install, reverse the removal procedure.

2. Inspect and position the rear door weather strip lip so that it overlaps the loadspace trim panel.

