





Front Drive Halfshafts - Intermediate Shaft

Mustang Mach-E 2021 (06/2019-)

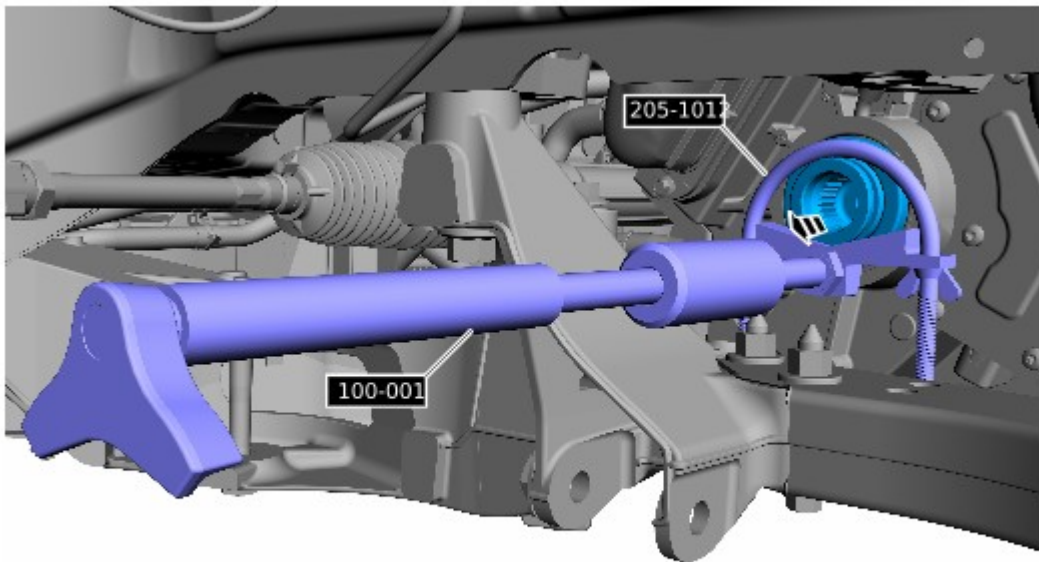
 Print  Report An Error**Removal and Installation****Special Tool(s)**

 <p>E120694</p>	<p>100-001 Slide Hammer</p>
 <p>E174871</p>	<p>205-1012 Remover, Halfshaft</p>
 <p>E330946</p>	<p>205-1076 Link Shaft tool E-Drive Rear Axle</p>
 <p>E133013</p>	<p>205-153 Handle</p>

Removal

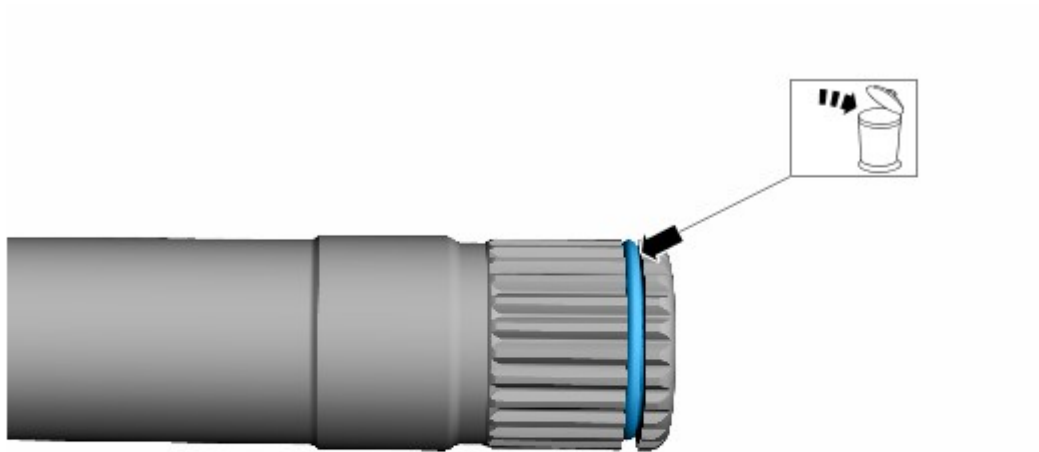
NOTE: Removal steps in this procedure may contain installation details.

1. Refer to: [Front Halfshaft RH](#) (205-04 Front Drive Halfshafts, Removal and Installation).
2. Use *Special Service Tools*: [205-1012](#), [100-001](#).



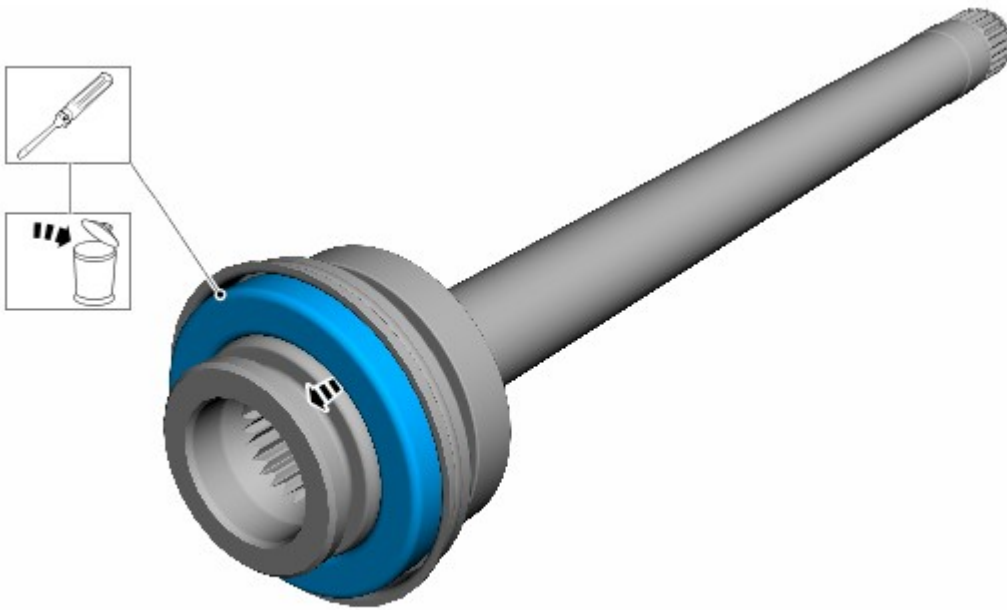
E344476

3.



E342964

4.



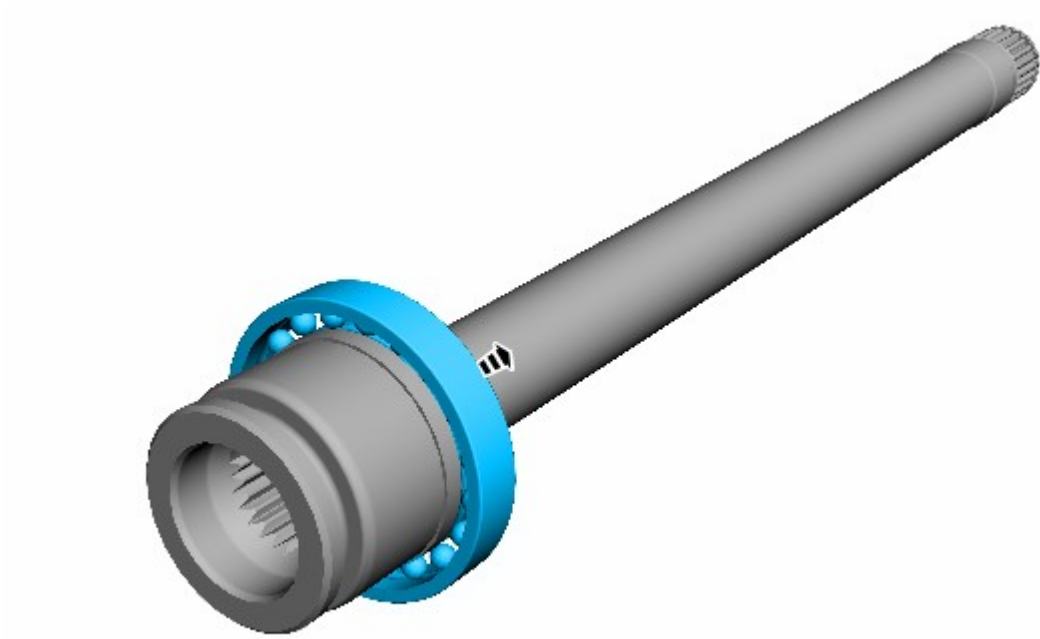
E342965

5.



E342981

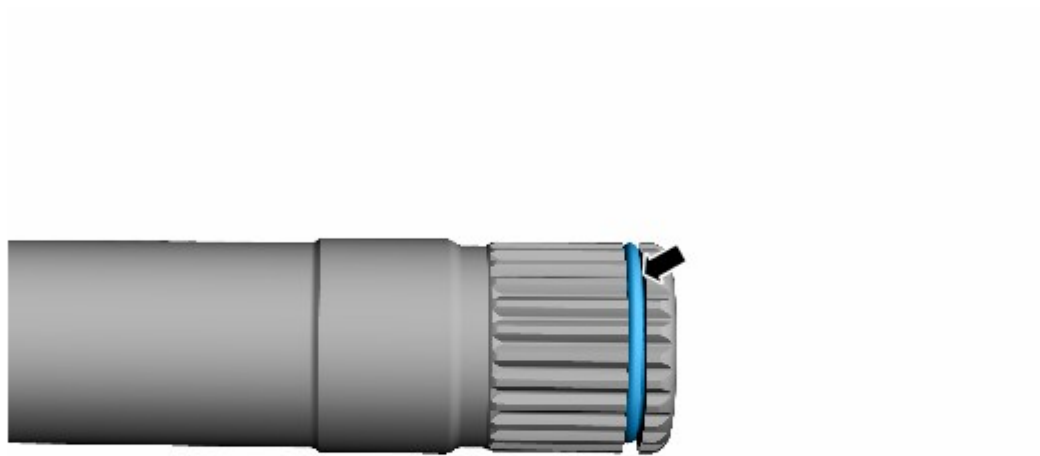
6.



E344081

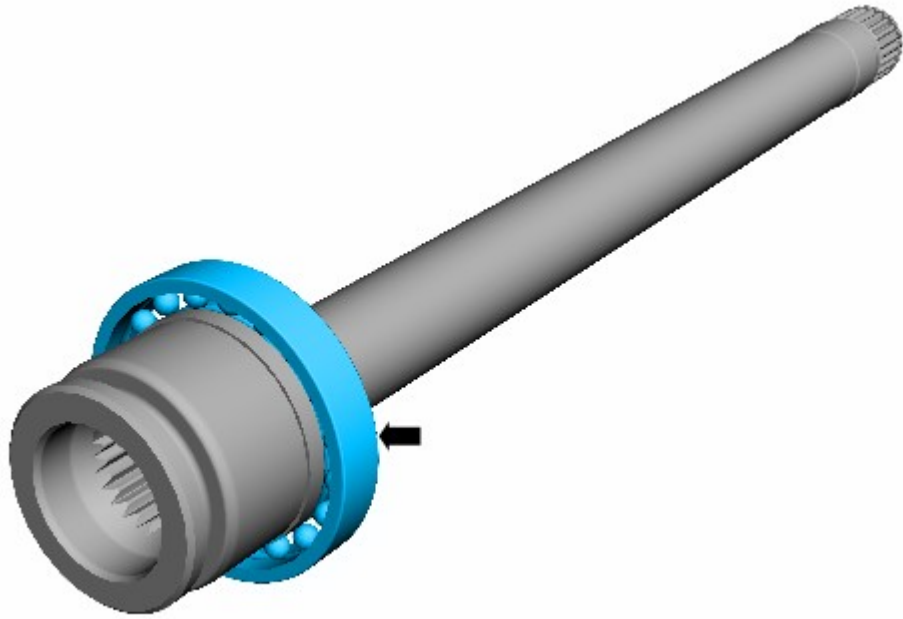
Installation

- 1.



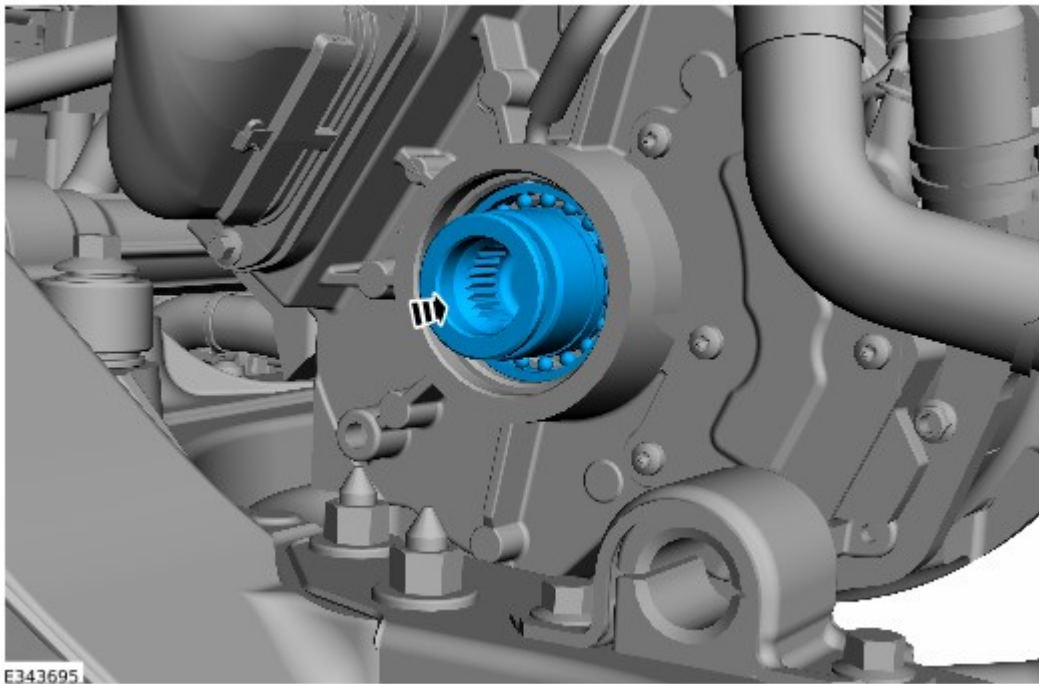
E343697

- 2.



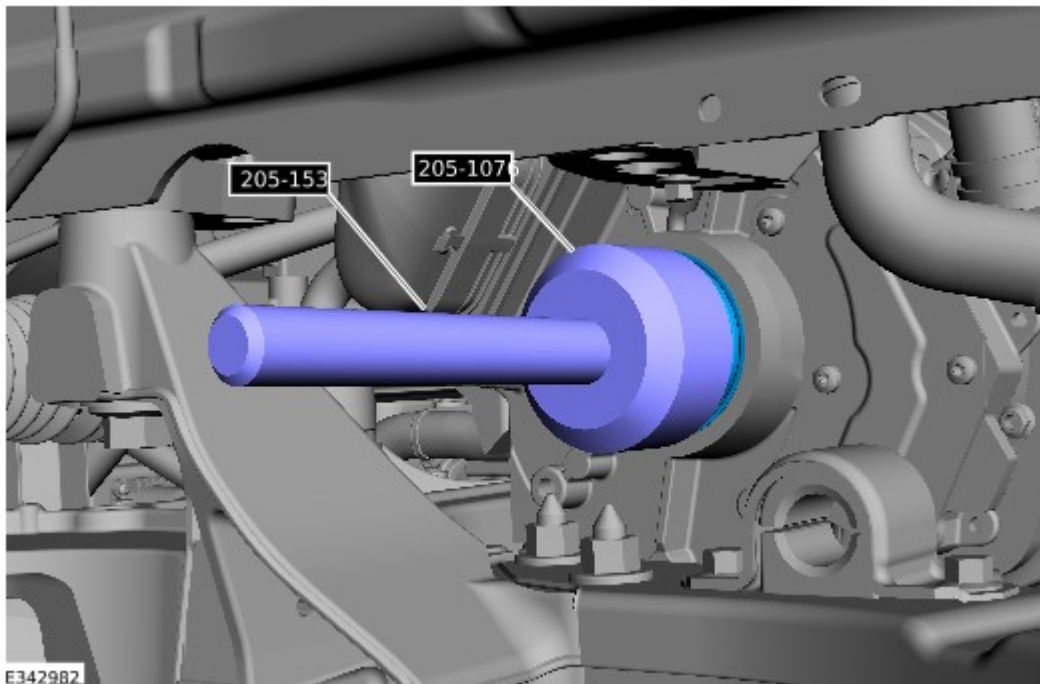
E344082

3.

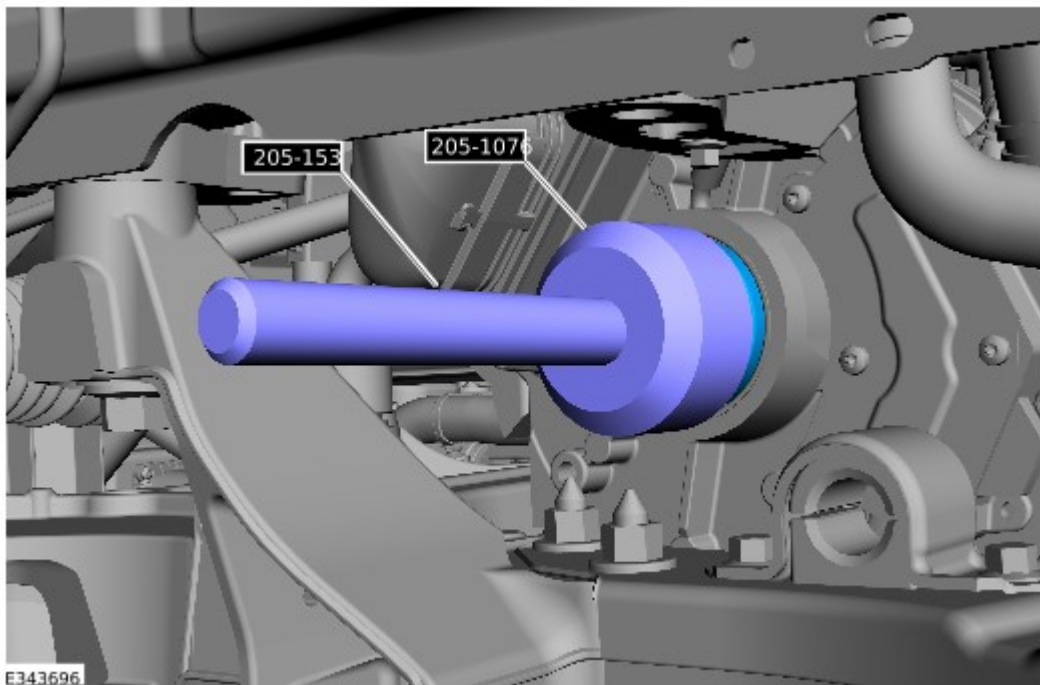


E343695

4. Use Special Service Tools: [205-1076](#), [205-153](#).



5. Use Special Service Tools: [205-1076](#), [205-153](#).



6. Refer to: [Drive Assembly Oil Draining and Filling](#) (302-01A Front Electric Drive Assembly - Base, General Procedures).