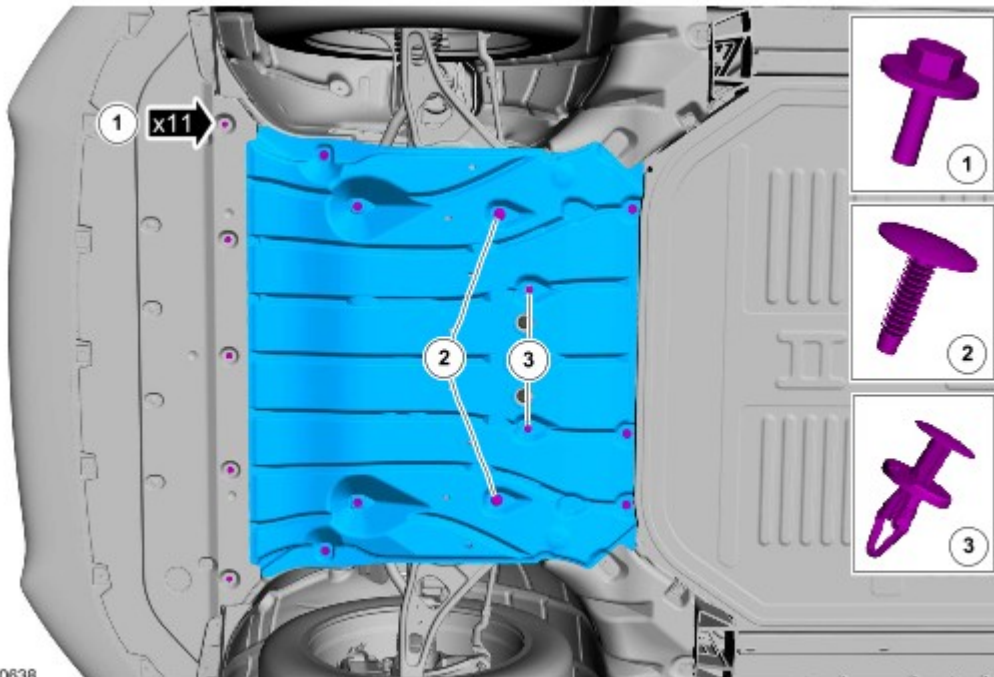


Front Electric Drive Assembly - Base - Drive Assembly Oil Draining and Filling

Mustang Mach-E 2021 (06/2019-)

[Print](#) [Report An Error](#)**General Procedures****General Equipment****Fluid Container****Draining**

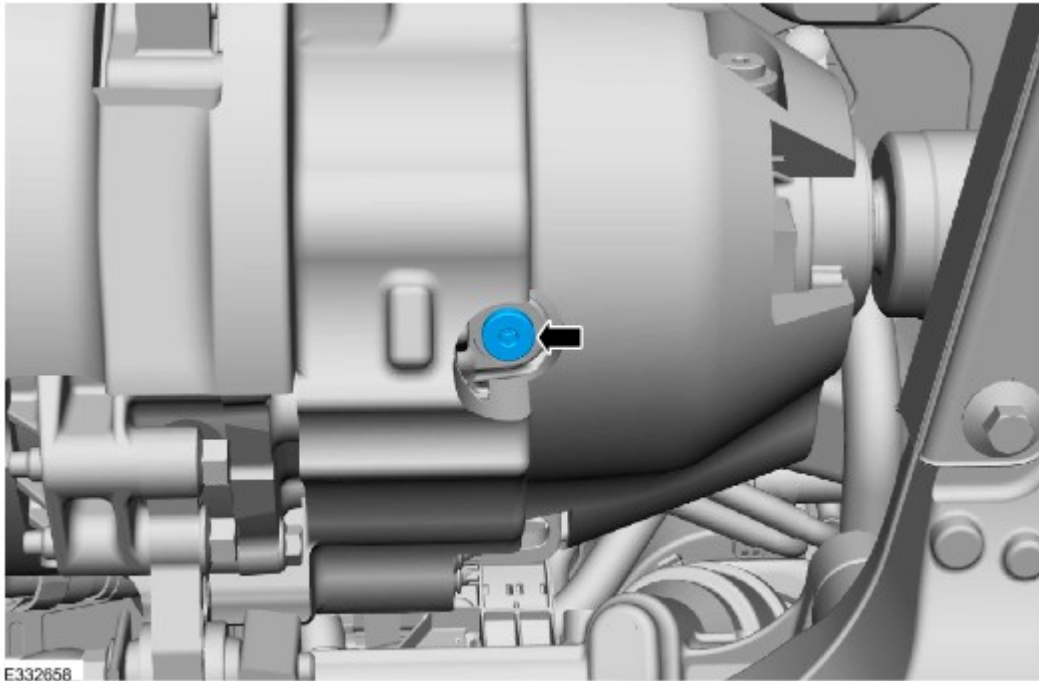
1. Refer to: [Jacking and Lifting](#) (100-02 Jacking and Lifting, Description and Operation).
- 2.



3. **NOTE:** Less than half of the fluid may be drained from the front electric drive assembly. Fluid will collect in the internal cavities and will be significantly less than the fill amount.

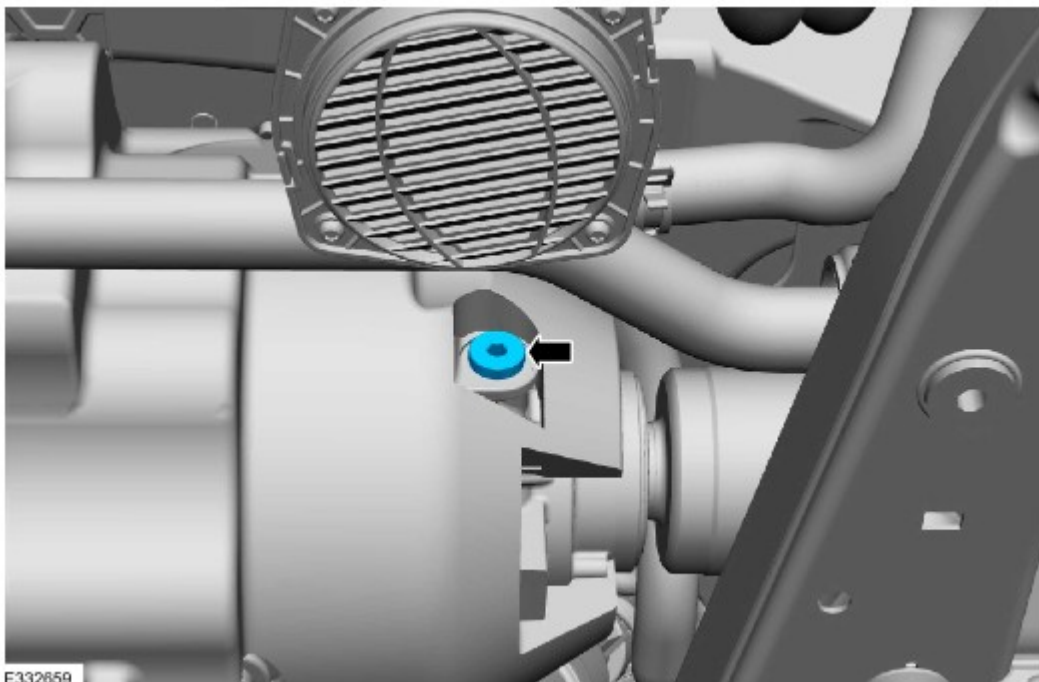
Use the General Equipment: [Fluid Container](#)

Torque: 20 Nm

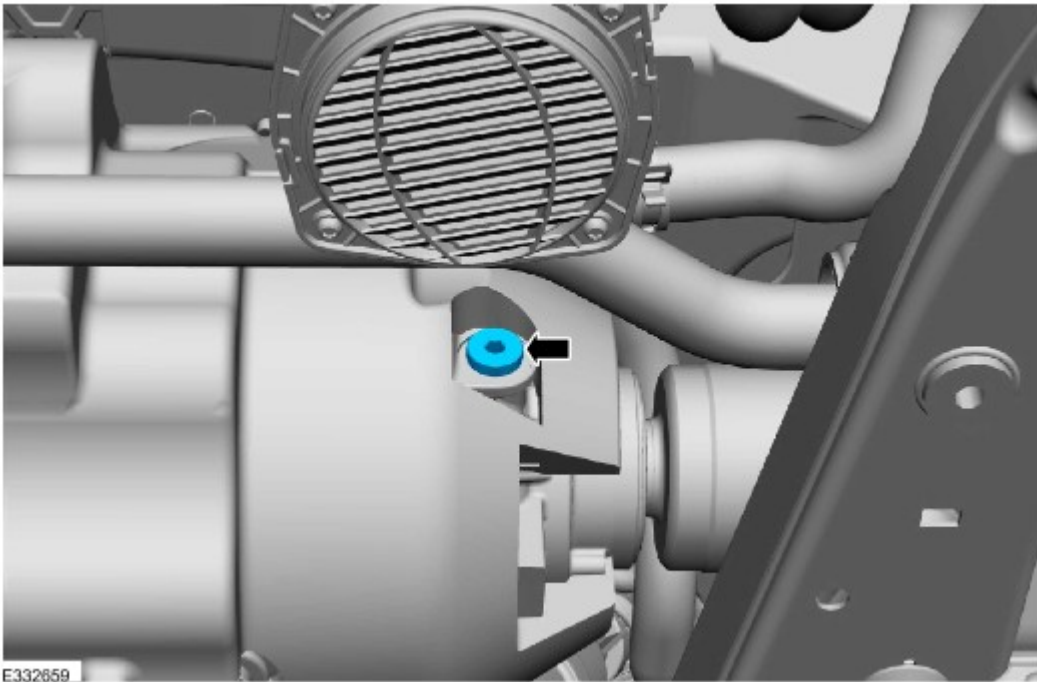


Filling

1. Refer to: [Specifications](#) (302-01A Front Electric Drive Assembly - Base, Specifications).
Torque: 20 Nm

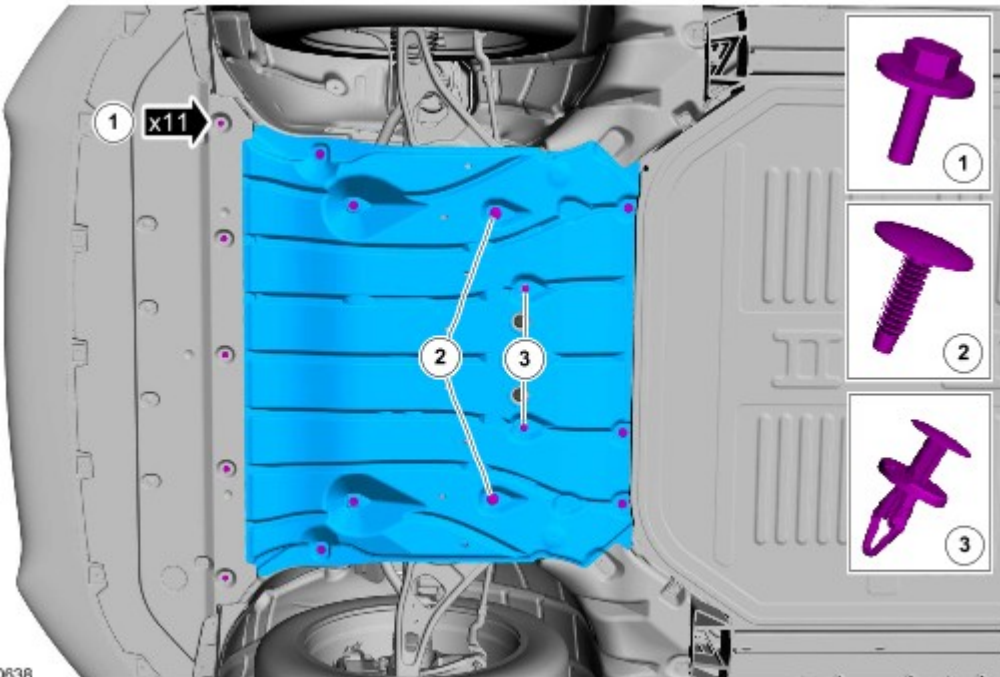


2. Carry out a road test.
3. Refer to: [Specifications](#) (302-01A Front Electric Drive Assembly - Base, Specifications).
Torque: 20 Nm



E332659

4. Torque: 2 Nm



E330638