

2141494-1 ✓ ACTIVE

AMP | FAKRA RF Connector System

TE Internal #: 2141494-1

Cable-to-Board / Cable-to-Cable, 90° Cable Exit, 1 Position, A Code, FAKRA RF Connector System, Data Connectivity Housings

[View on TE.com >](#)



Automotive Parts > Automotive Connectors > Data Connectivity Housings



Connector System: **Cable-to-Board, Cable-to-Cable**

Sealable: **No**

Cable Exit Angle: **90°**

Number of Positions: **1**

Connector & Keying Code: **A**

Features

Product Type Features

Connector & Contact Terminates To	Wire & Cable
Mixed & Hybrid Connector	No
Connector System	Cable-to-Board, Cable-to-Cable
Sealable	No
Connector & Housing Type	Housing for Female Terminals

Configuration Features

Snap-Lock	Without
Number of Rows	1
Number of Positions	1

Electrical Characteristics

Operating Voltage	800 VAC
Impedance	50 Ω
Nominal Voltage Architecture	800 V

Signal Characteristics

Operating Frequency Range	0 – 6000 MHz
---------------------------	--------------

Body Features

Ferrule	Without
Cable Exit Type	Fixed



Cable Exit Angle	90°
------------------	-----

Connector & Keying Code	A
-------------------------	---

Contact Features

Outer Contact Plating Material	None
--------------------------------	------

RF Connector Center Contact Plating Material	None
--	------

Contact Mating Area Plating Material	Unplated
--------------------------------------	----------

Center Contact	Without
----------------	---------

Contact Type	Socket
--------------	--------

Mating Pin Diameter	.5 mm[.02 in]
---------------------	---------------

Contact Current Rating (Max)	1 A
------------------------------	-----

Termination Features

Termination Method to Wire & Cable	Crimp
------------------------------------	-------

Mechanical Attachment

Mating Retention	With
------------------	------

Connector Mounting Type	Cable Mount (Free-Hanging)
-------------------------	----------------------------

Housing Features

Housing Color	Black
---------------	-------

Dimensions

Product Width	14.5 mm[.571 in]
---------------	------------------

Product Length	9.8 mm[.386 in]
----------------	-----------------

Connector Height	17.25 mm[.679 in]
------------------	-------------------

Usage Conditions

Operating Temperature (Max)	65 °C, 70 °C, 75 °C, 80 °C, 85 °C, 90 °C, 100 °C[212 °F]
-----------------------------	--

Cable Type	RTK 031
------------	---------

Operating Temperature Range	-40 – 100 °C[-40 – 212 °F]
-----------------------------	----------------------------

Operation/Application

Shielded	No
----------	----

Industry Standards

Compatible With Agency/Standards Products	SAE/USCAR-2
---	-------------

Packaging Features

Packaging Quantity	4800
--------------------	------



Packaging Method Bag

Other

Connector Position Assurance Capable No
 Dielectric Material None

Product Compliance

[For compliance documentation, visit the product page on TE.com>](#)

EU RoHS Directive 2011/65/EU	Compliant
EU ELV Directive 2000/53/EC	Compliant
China RoHS 2 Directive MIIT Order No 32, 2016	No Restricted Materials Above Threshold
EU REACH Regulation (EC) No. 1907/2006	Current ECHA Candidate List: JAN 2025 (247) Candidate List Declared Against: JAN 2025 (247) Does not contain REACH SVHC
Halogen Content	BFR/CFR/PVC Free, but Br/Cl >900 ppm in other sources.
Solder Process Capability	Not reviewed for solder process capability

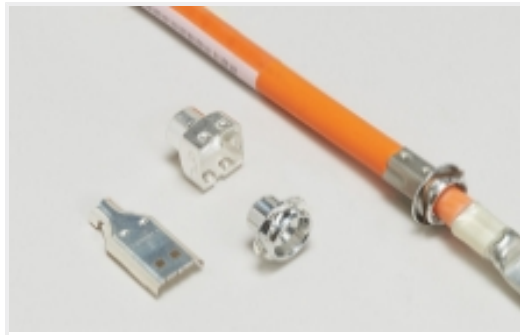
Product Compliance Disclaimer

This information is provided based on reasonable inquiry of our suppliers and represents our current actual knowledge based on the information they provided. This information is subject to change. The part numbers that TE has identified as EU RoHS compliant have a maximum concentration of 0.1% by weight in homogenous materials for lead, hexavalent chromium, mercury, PBB, PBDE, DBP, BBP, DEHP, DIBP, and 0.01% for cadmium, or qualify for an exemption to these limits as defined in the Annexes of Directive 2011/65/EU (RoHS2). Finished electrical and electronic equipment products will be CE marked as required by Directive 2011/65/EU. Components may not be CE marked. Additionally, the part numbers that TE has identified as EU ELV compliant have a maximum concentration of 0.1% by weight in homogenous materials for lead, hexavalent chromium, and mercury, and 0.01% for cadmium, or qualify for an exemption to these limits as defined in the Annexes of Directive 2000/53/EC (ELV). Regarding the REACH Regulation, the information TE provides on SVHC in articles for this part number is based on the latest European Chemicals Agency (ECHA) 'Guidance on requirements for substances in articles' posted at this URL: <https://echa.europa.eu/guidance-documents/guidance-on-reach>

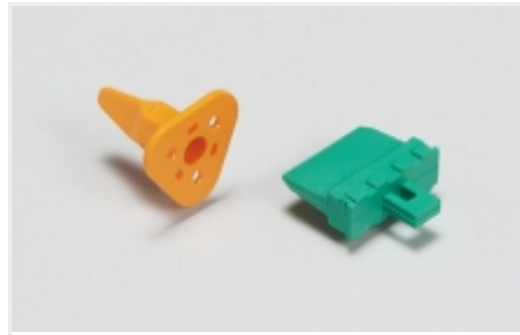
Compatible Parts



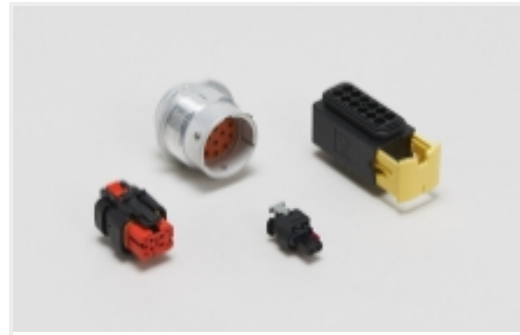
Also in the Series | FAKRA RF Connector System



Automotive Connector EMC Shielding (3)



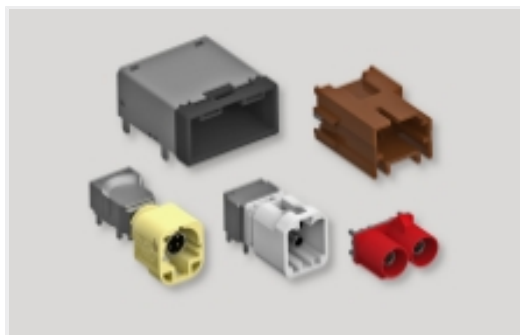
Automotive Connector Locks & Position Assurance(8)



Automotive Housings(2)



Automotive Seals & Cavity Plugs(1)



Data Connectivity Headers(393)



Infotainment & Multimedia Cable Assemblies(1)



Other Automotive Connector Accessories(29)

Customers Also Bought



TE Part #CAT-D48-ST273
DEUTSCH Solid Contacts



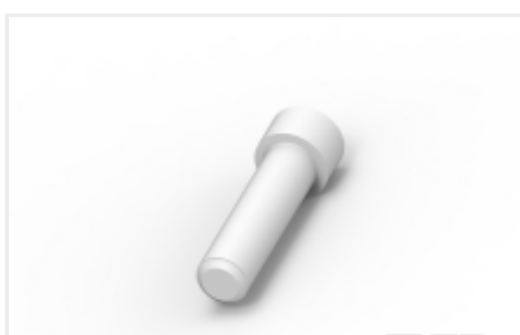
TE Part #DT06-2S
PLG, 2P, GRY, N



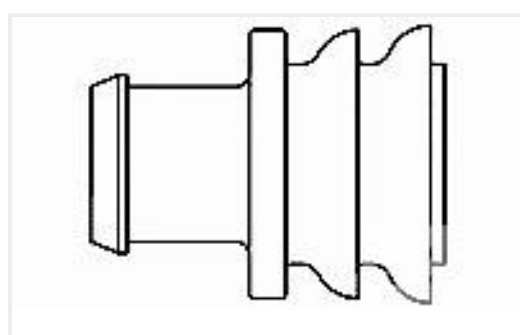
TE Part #DT04-2P
REC, 2P, GRY, N



TE Part #CAT-D487-W416
Wedgelocks: DEUTSCH DT



TE Part #114017-ZZ
SEALING PLUG, SIZE 12/16, WHT



TE Part #281934-2
SINGLE WIRE SEAL



TE Part #CAT-AM71-CH8172
AMP SUPERSEAL 1.5MM,
CONNECTOR HOUSING

Documents

Product Drawings

[1POS,CONTACT KIT,REC HSG,ASSY,CODA](#)

English

CAD Files

Customer View Model

[ENG_CVM_CVM_2141494-1_A.2d_dxf.zip](#)



English

[3D PDF](#)

3D

Customer View Model

[ENG_CVM_CVM_2141494-1_A.3d_igs.zip](#)

English

Customer View Model

[ENG_CVM_CVM_2141494-1_A.3d_stp.zip](#)

English

By downloading the CAD file I accept and agree to the [Terms and Conditions](#) of use.

Product Specifications

[Application Specification](#)

English