

# Spring



## Special Tool(s) / General Equipment

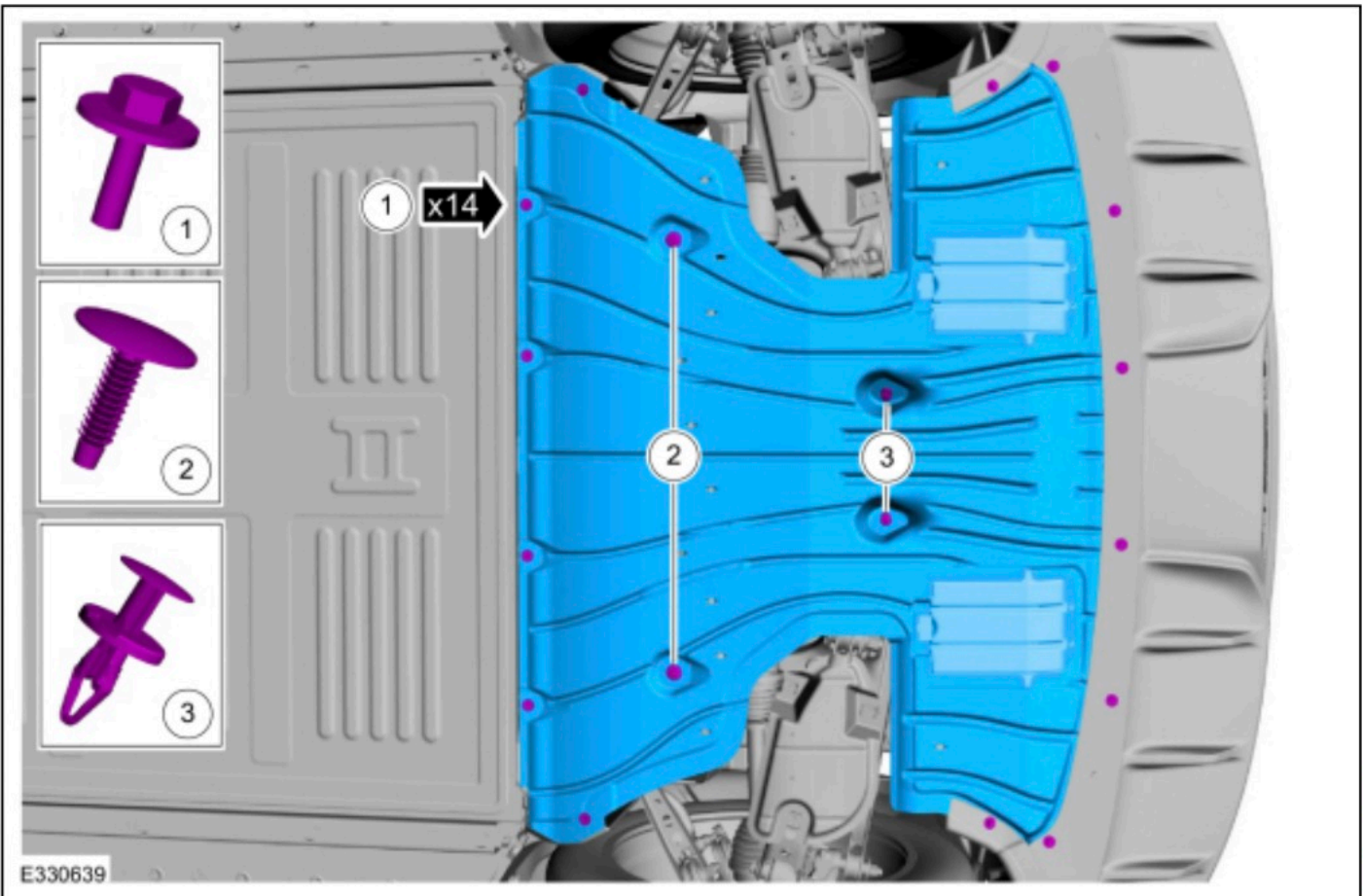
Vehicle/Axle Stands
------------------------

## Removal

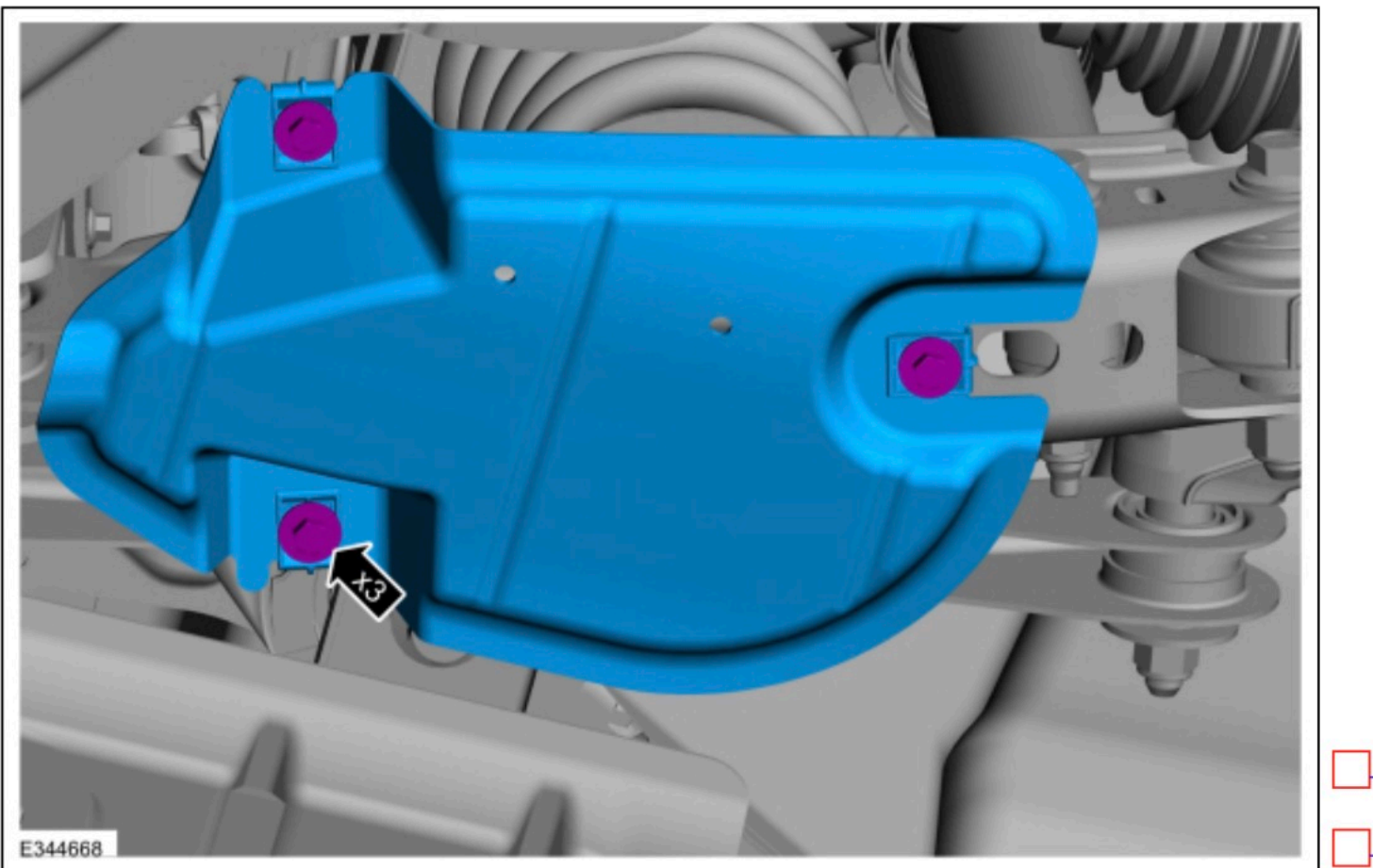
**NOTICE:** Suspension fasteners are critical parts that affect the performance of vital components and systems. Failure of these fasteners may result in major service expense. Use the same or equivalent parts if replacement is necessary. Do not use a replacement part of lesser quality or substitute design. Tighten fasteners as specified.

**NOTE:** Removal steps in this procedure may contain installation details.

1. Remove the wheel and tire.  
Refer to: [Wheel and Tire](#) (204-04A Wheels and Tires, Removal and Installation) .
2. Remove the pushpins, the screws and the rear underbody shield.



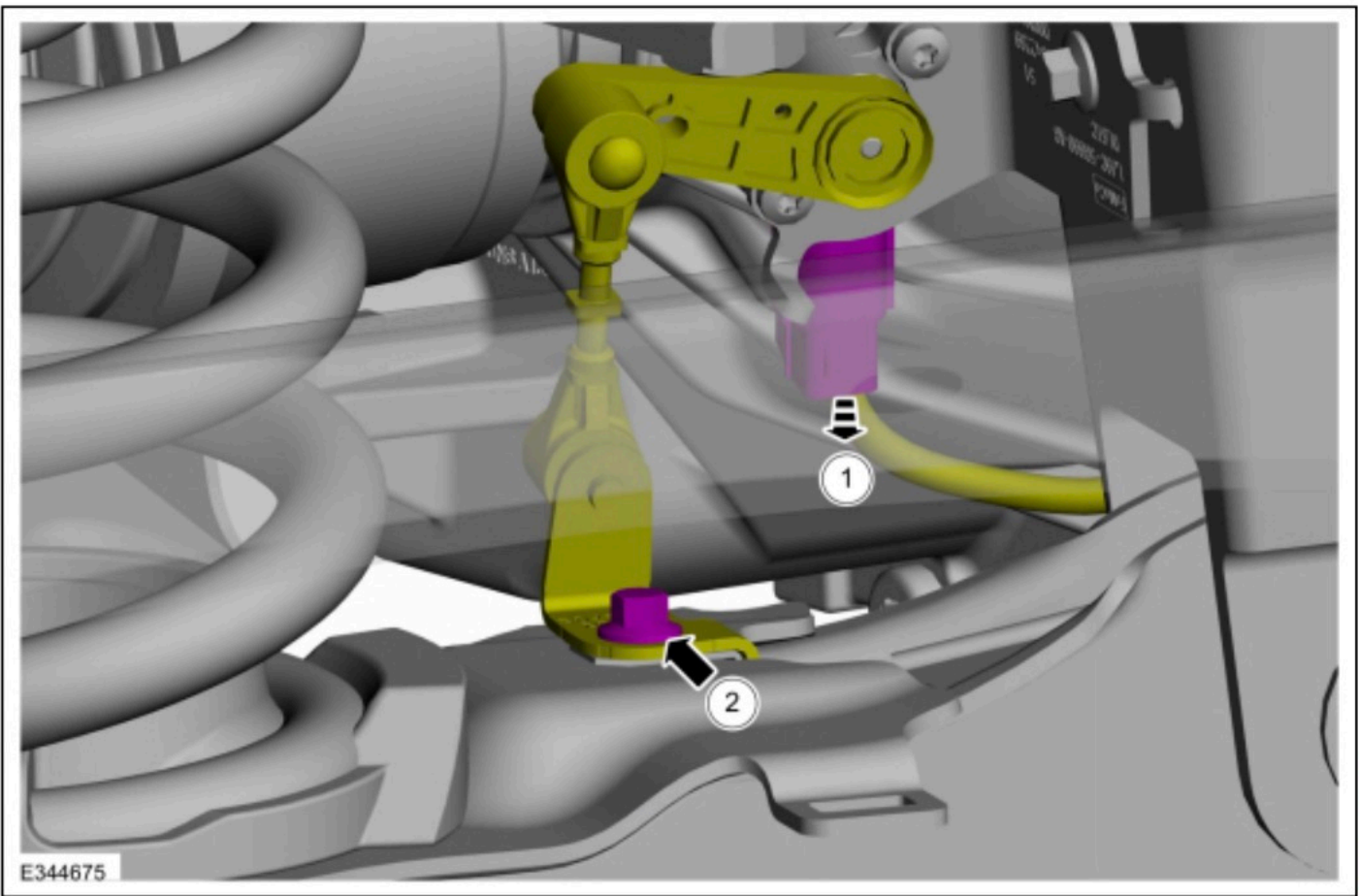
3. Remove the retainers and the rear lower arm air deflector.



4. **NOTICE:** The rear suspension height sensor must be disconnected from the lower control arm prior to servicing suspension components or damage to the suspension height sensor and/or the vehicle dynamic suspension system may occur. The sensor will need to be recalibrated after reassembly.

If equipped.

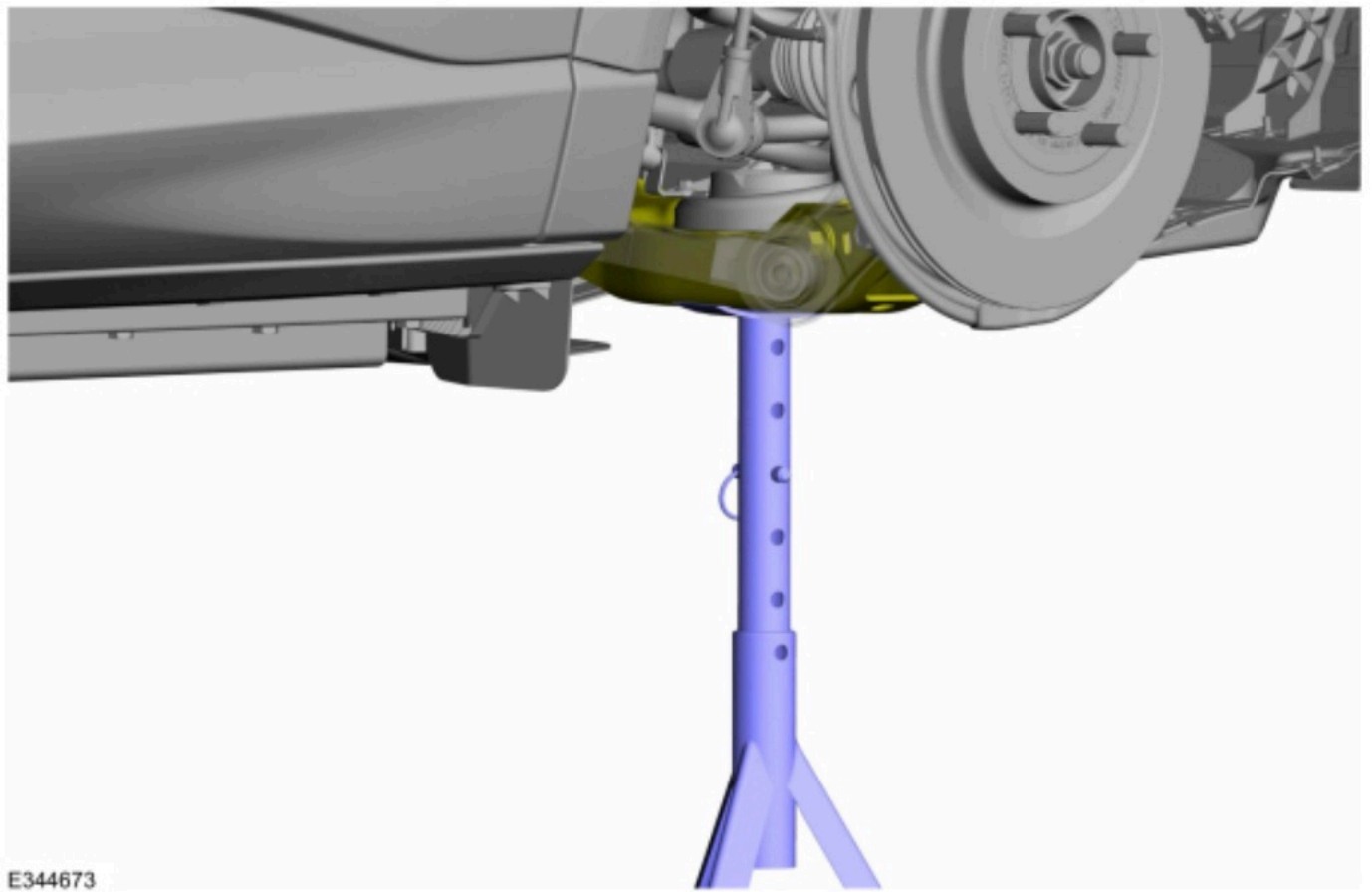
1. Disconnect the rear ride height sensor electrical connector.
2. Remove the rear height sensor arm bracket nut and position the rear height sensor arm bracket aside.



5. **NOTICE: Do not attempt to jacking on the front control arm or rear control arm on any vehicle. Damage to control arms may occur.**

**NOTICE: Make sure that the insulator pads are correctly positioned to prevent direct contact with other components.**

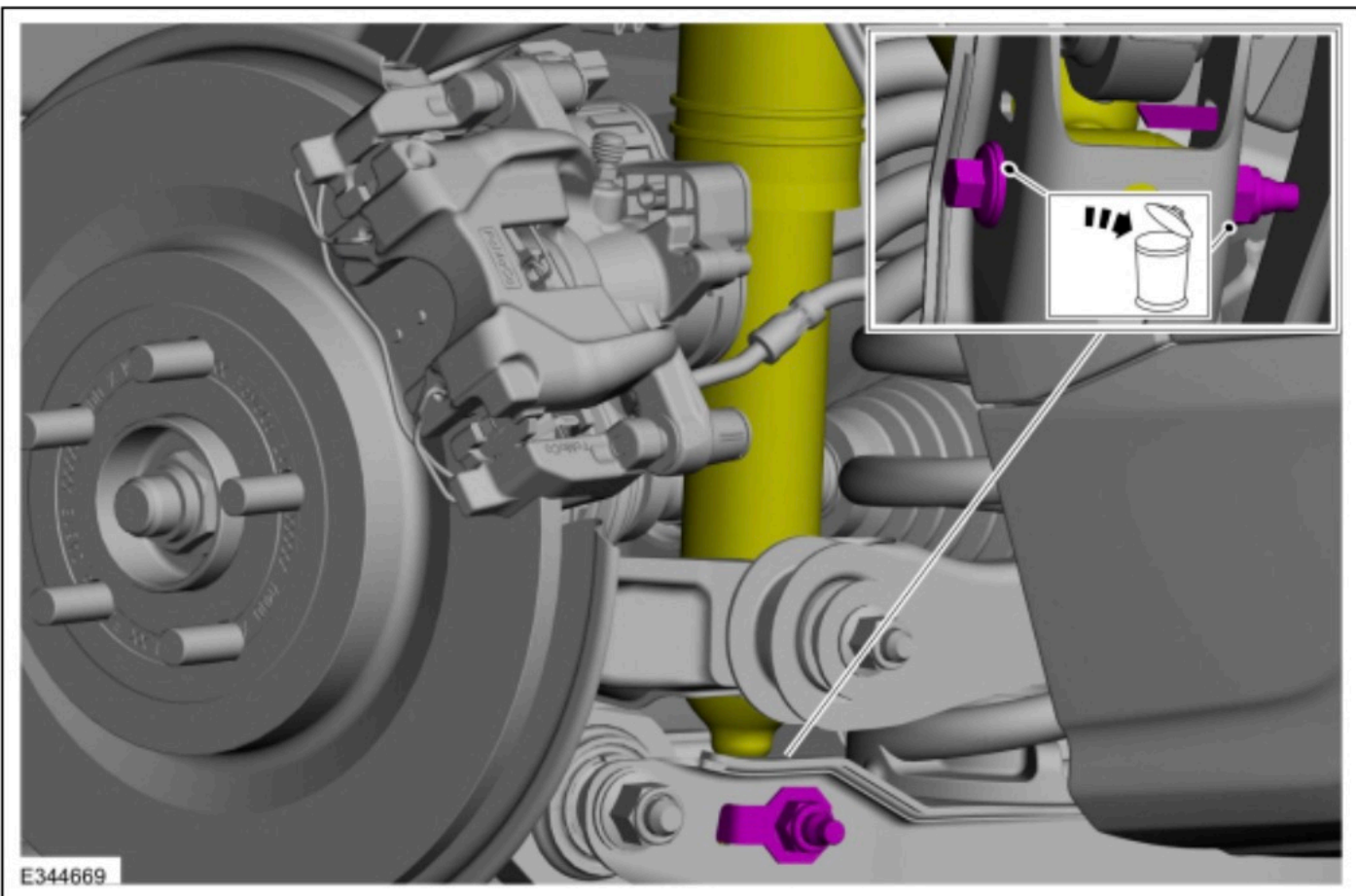
Using a suitable jackstand, support the rear lower arm at curb height.  
Use the General Equipment: Vehicle/Axle Stands



E344673



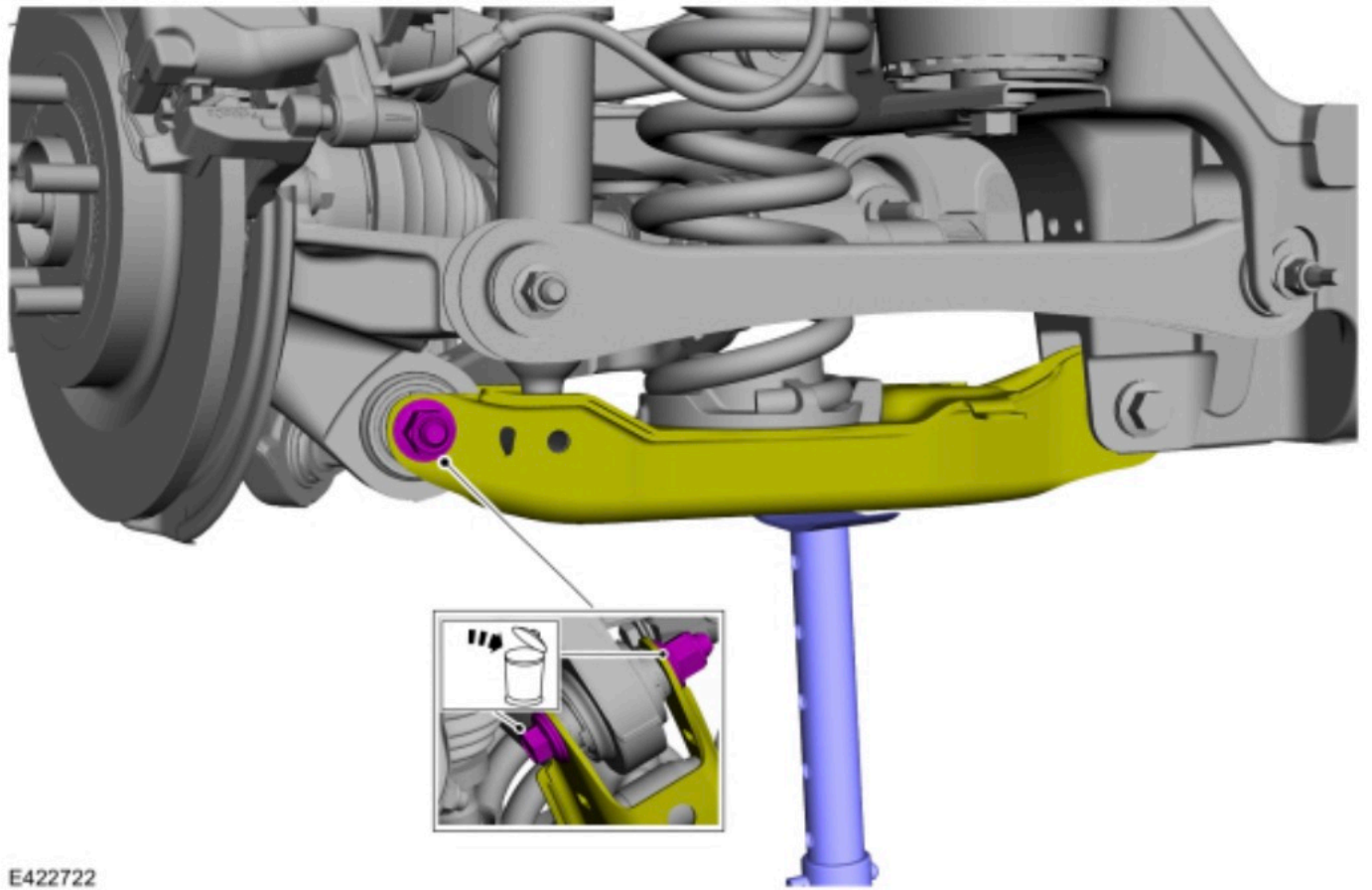
6. Remove and discard the lower shock absorber bolt and nut.



7. **NOTICE: Do not attempt to jacking on the front control arm or rear control arm on any vehicle. Damage to control arms may occur.**

**NOTICE: Make sure that the insulator pads are correctly positioned to prevent direct contact with other components.**

Remove and discard lower arm-to-wheel knuckle bolt and nut.

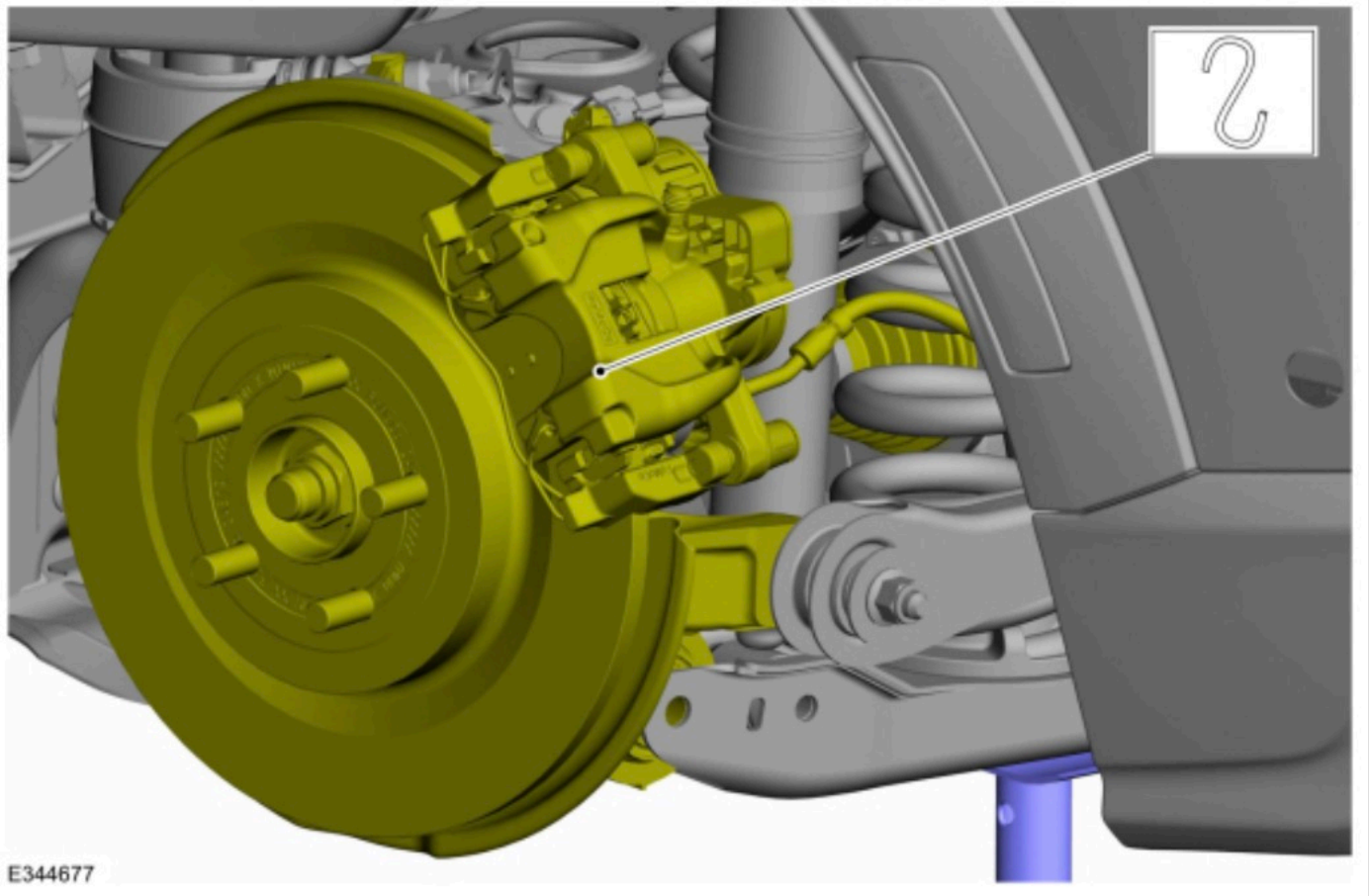


E422722

- 8. NOTICE: Never allow the knuckle to hang from the upper and lower control arms or damage to the ball joints can occur.**

**NOTE:** *Take care not to damage coating on suspension components.*

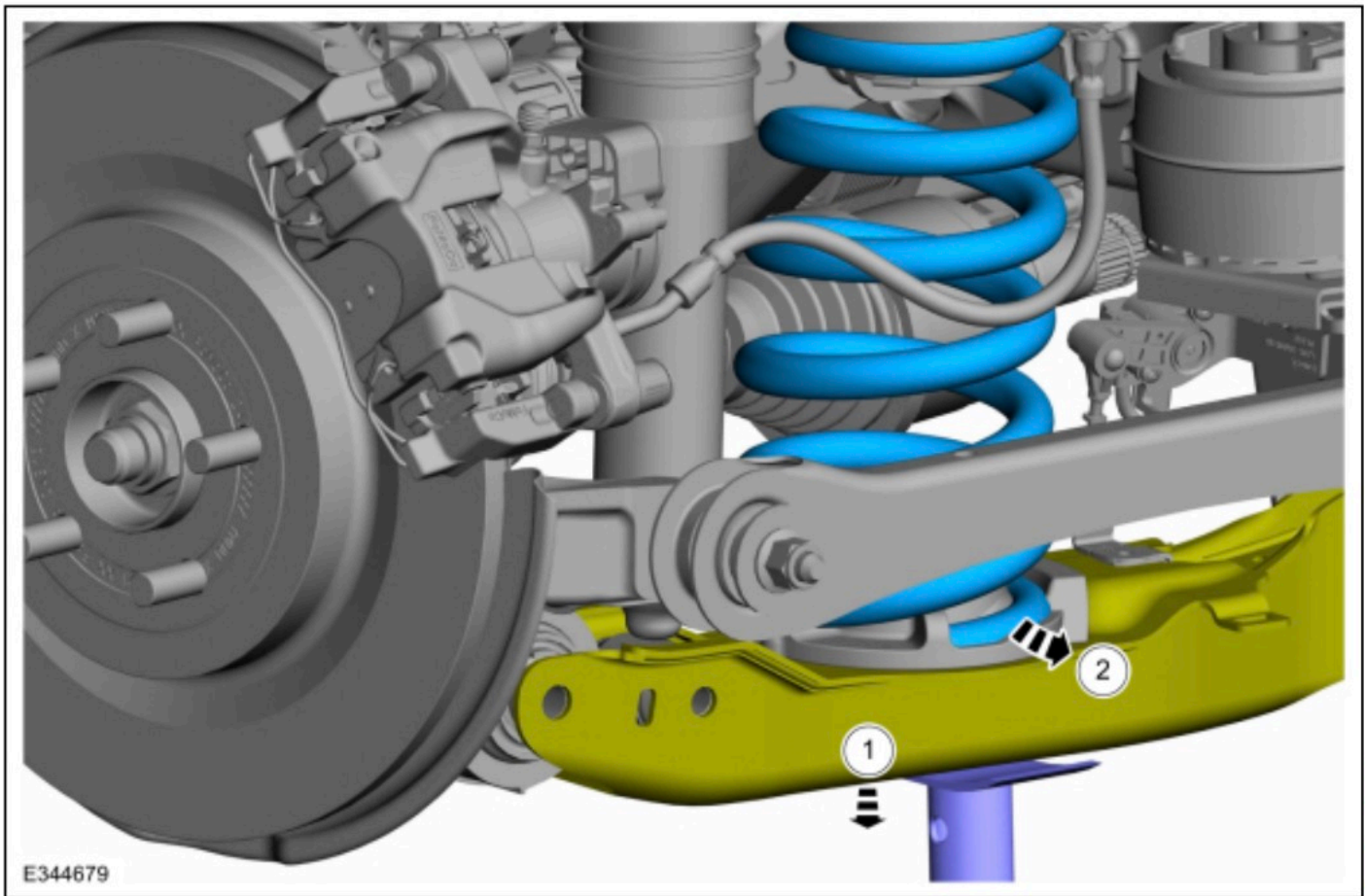
Support the wheel knuckle assembly using mechanic's wire.



9. **NOTICE: Do not attempt to jacking on the front control arm or rear control arm on any vehicle. Damage to control arms may occur.**

**NOTICE: Make sure that the insulator pads are correctly positioned to prevent direct contact with other components.**

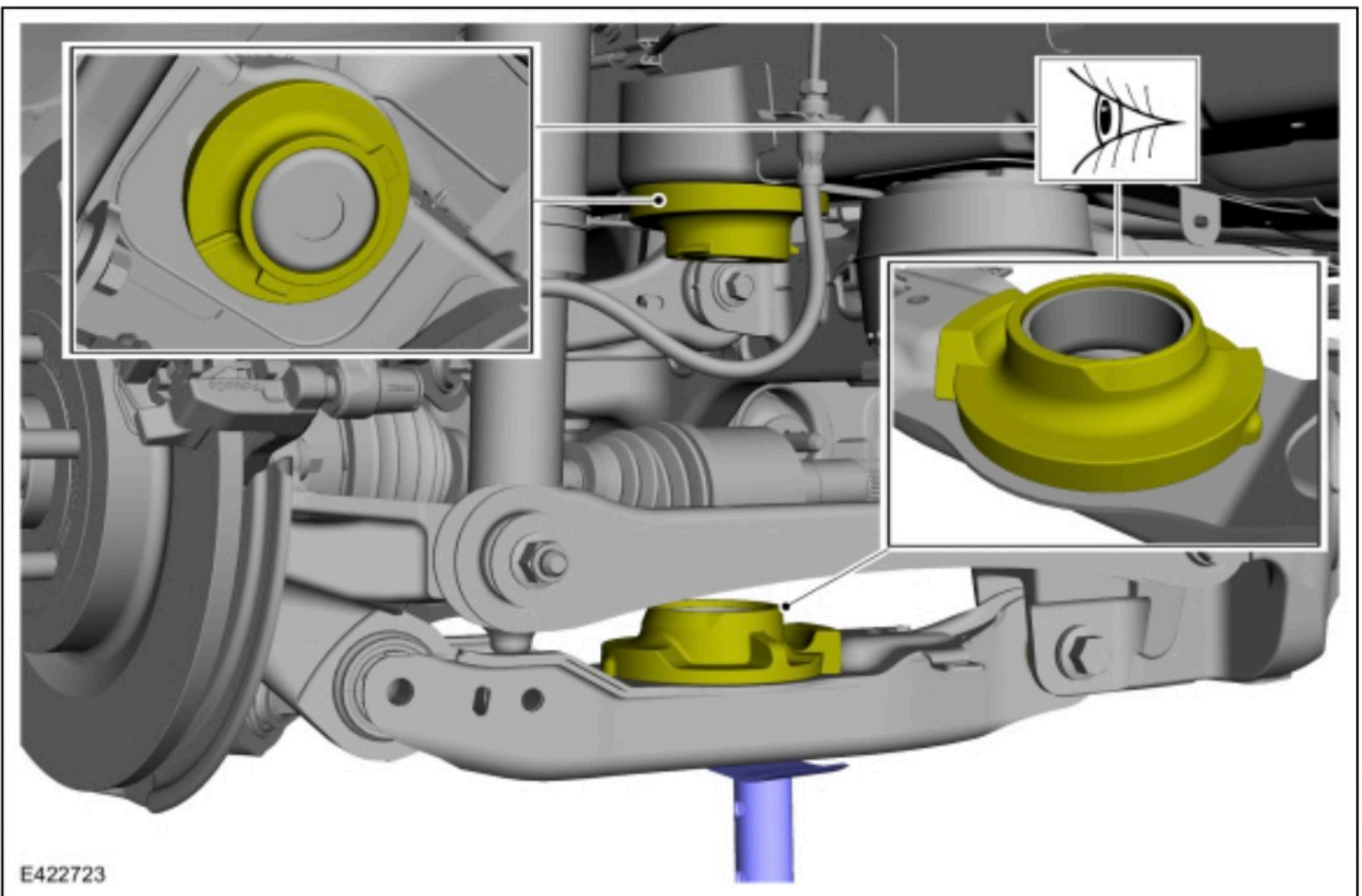
1. Lower the suspension to release the spring compression.  
Use the General Equipment: Vehicle/Axle Stands
2. Remove the spring by lowering the lower arm and position aside the lower arm.



**Installation**

**NOTICE:** Tighten the suspension fasteners with the weight of the vehicle on the wheels and tires or use a suitable jack to raise the suspension to curb height or damage to the bushings may occur.

- 1. Visual check.  
Check the upper and lower spring seat for damage. Replace as necessary.



2. **NOTICE:** Do not attempt to jacking on the front control arm or rear control arm on any vehicle. Damage to control arms may occur.

**NOTICE:** Make sure that the insulator pads are correctly positioned to prevent direct contact with other components.

1. **NOTE:** *Hold spring in place while installing lower arm.*

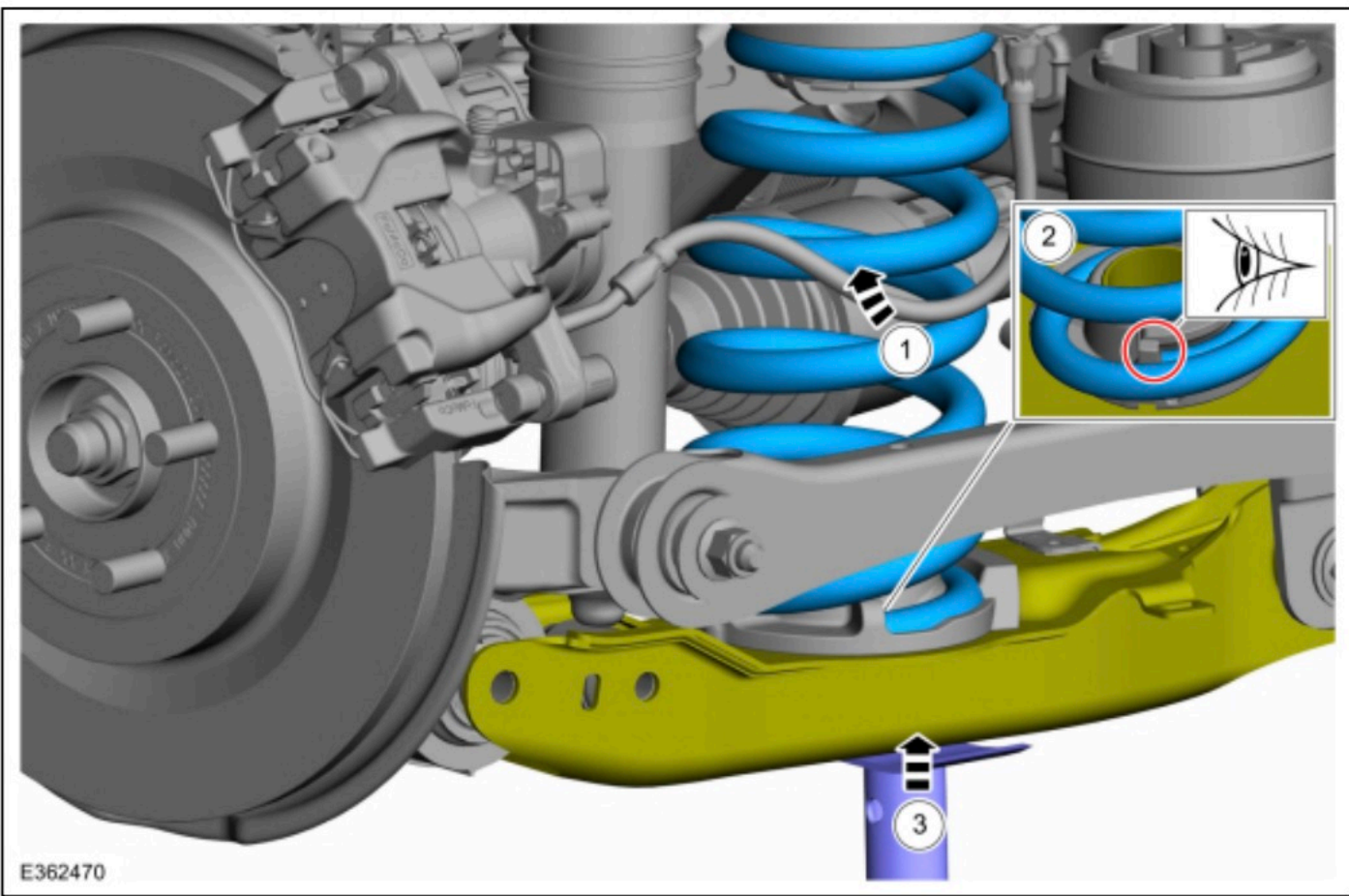
Install the spring into the upper and lower spring seat.

2. **NOTE:** *Make sure that the spring is correctly located in the lower spring seat.*

Visual check.

Align the spring in the lower spring seat.

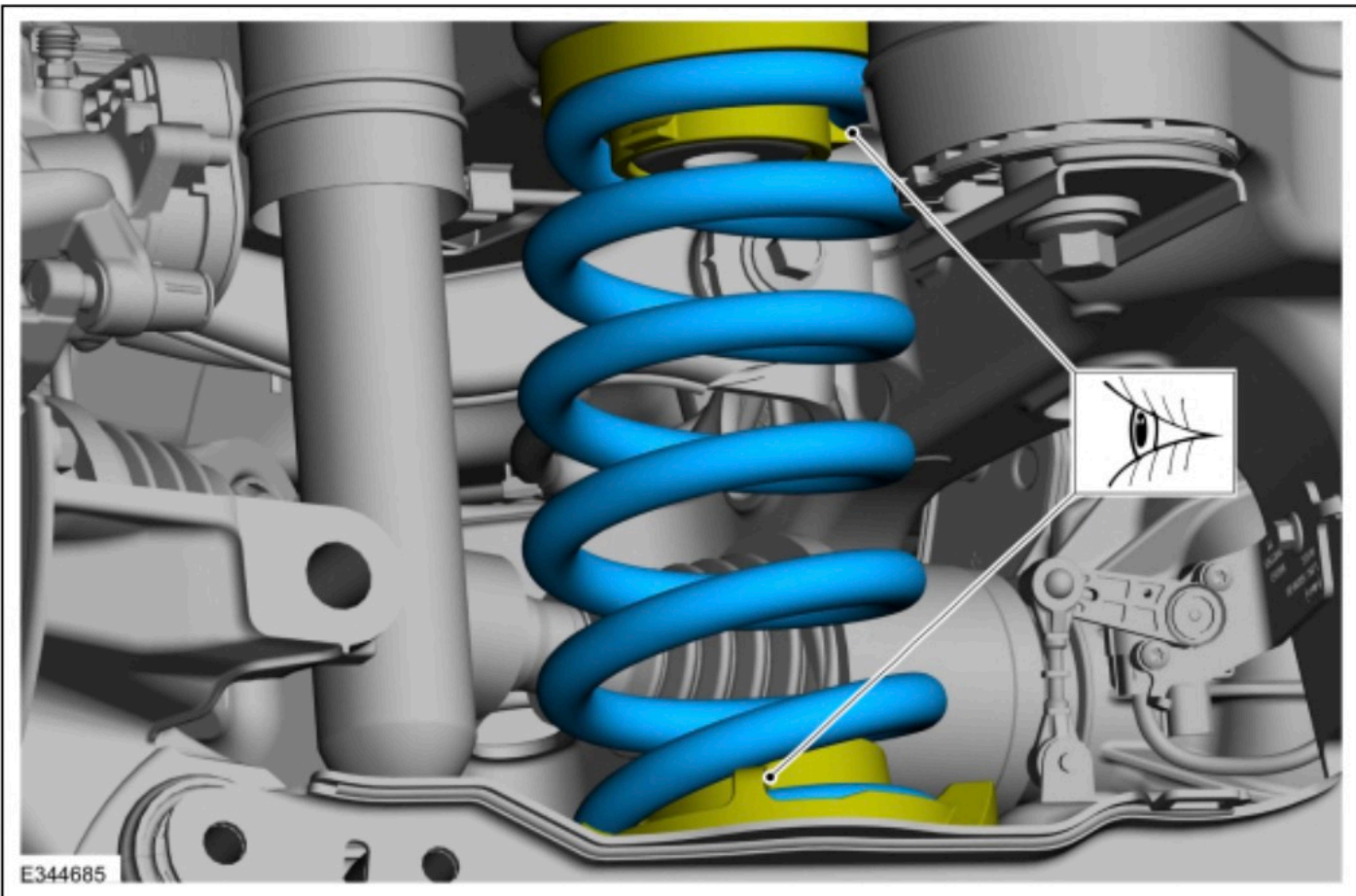
3. Using a suitable jackstand, raise the lower arm into the position.  
Use the General Equipment: Vehicle/Axle Stands



3. **NOTE:** *Make sure that the spring is correctly located in the upper and lower spring seat.*

Visual check.

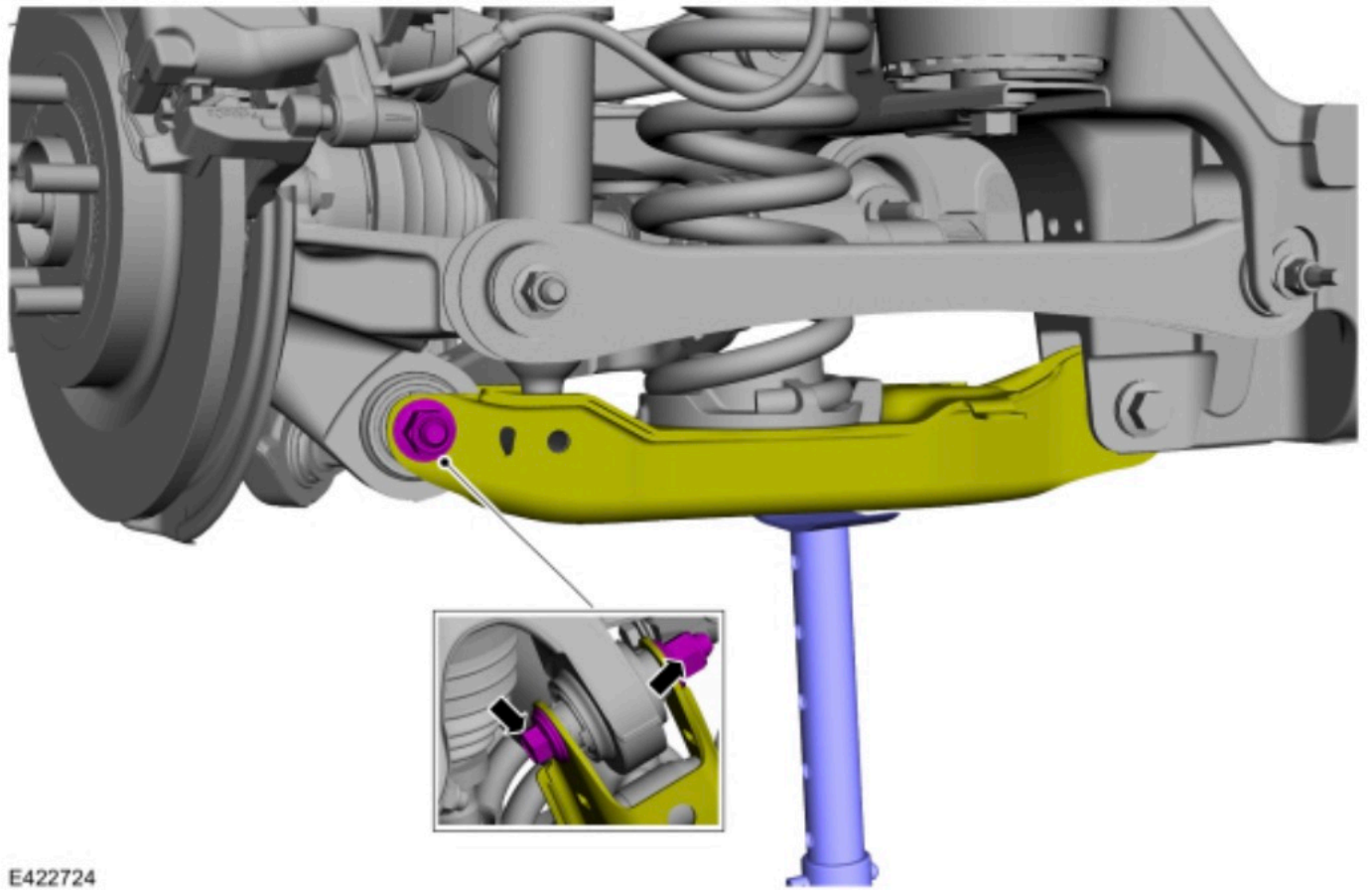
Align the spring in the upper and lower spring seat.



4. **NOTE:** *Only tighten the nuts and bolts when the suspension is in the normal drive position.*

**NOTE:** *Only tighten the bolt and nut finger tight at this stage.*

Position the lower arm to the wheel knuckle and install the new lower arm-to-wheel knuckle bolt and nut.

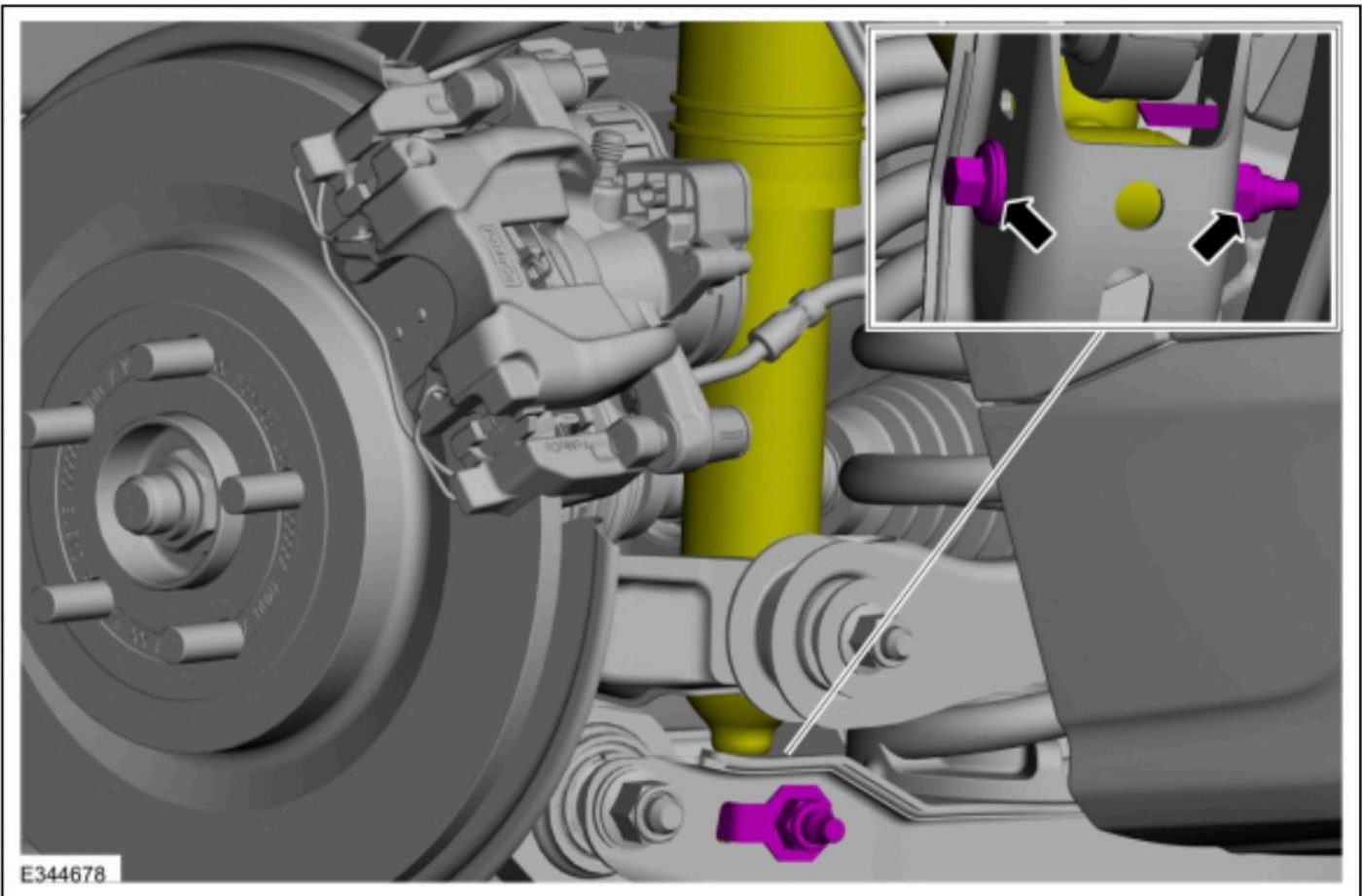


E422724

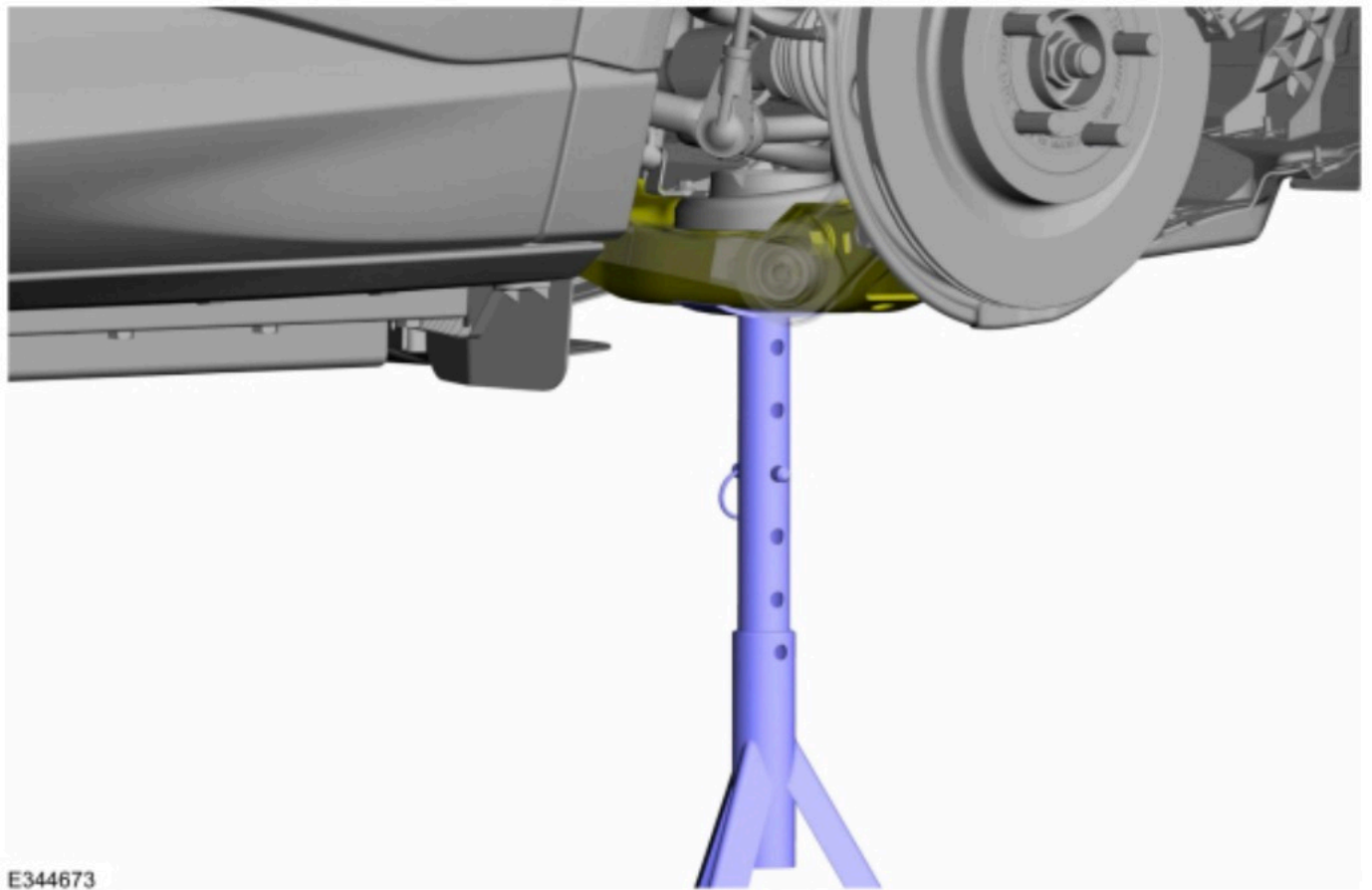
5. **NOTE:** *Only tighten the nuts and bolts when the suspension is in the normal drive position.*

**NOTE:** *Only tighten the bolt and nut finger tight at this stage.*

Install the new rear shock absorber lower bolt and nut.



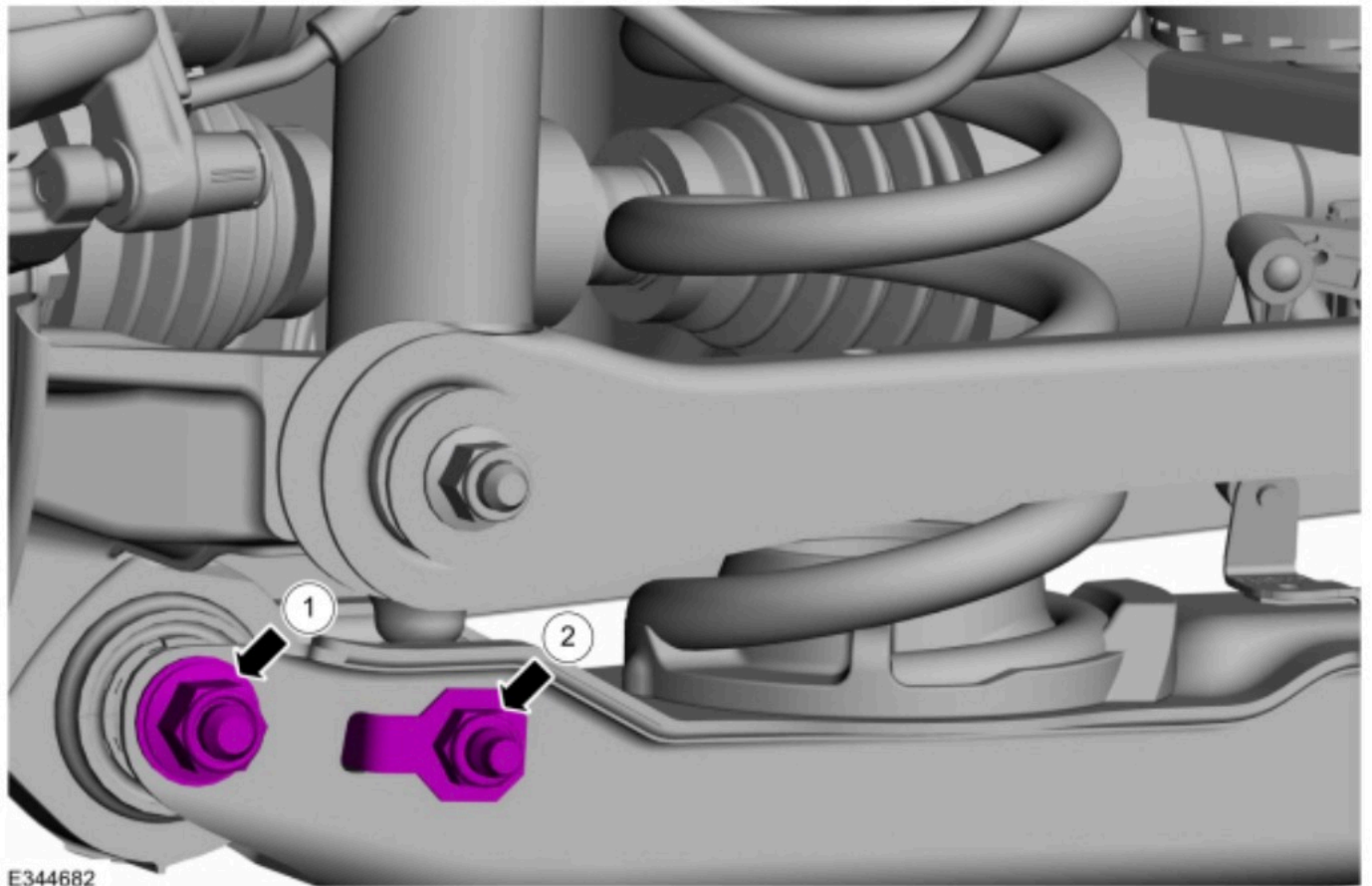
6. Using a suitable jackstand, raise the rear suspension to curb height.  
Use the General Equipment: Vehicle/Axle Stands



7. **NOTICE: Tighten the suspension fasteners with the weight of the vehicle on the wheels and tires or use a suitable jack to raise the suspension to curb height or damage to the bushings may occur.**

**NOTE:** *Only tighten the nuts and bolts when the suspension is in the normal drive position.*

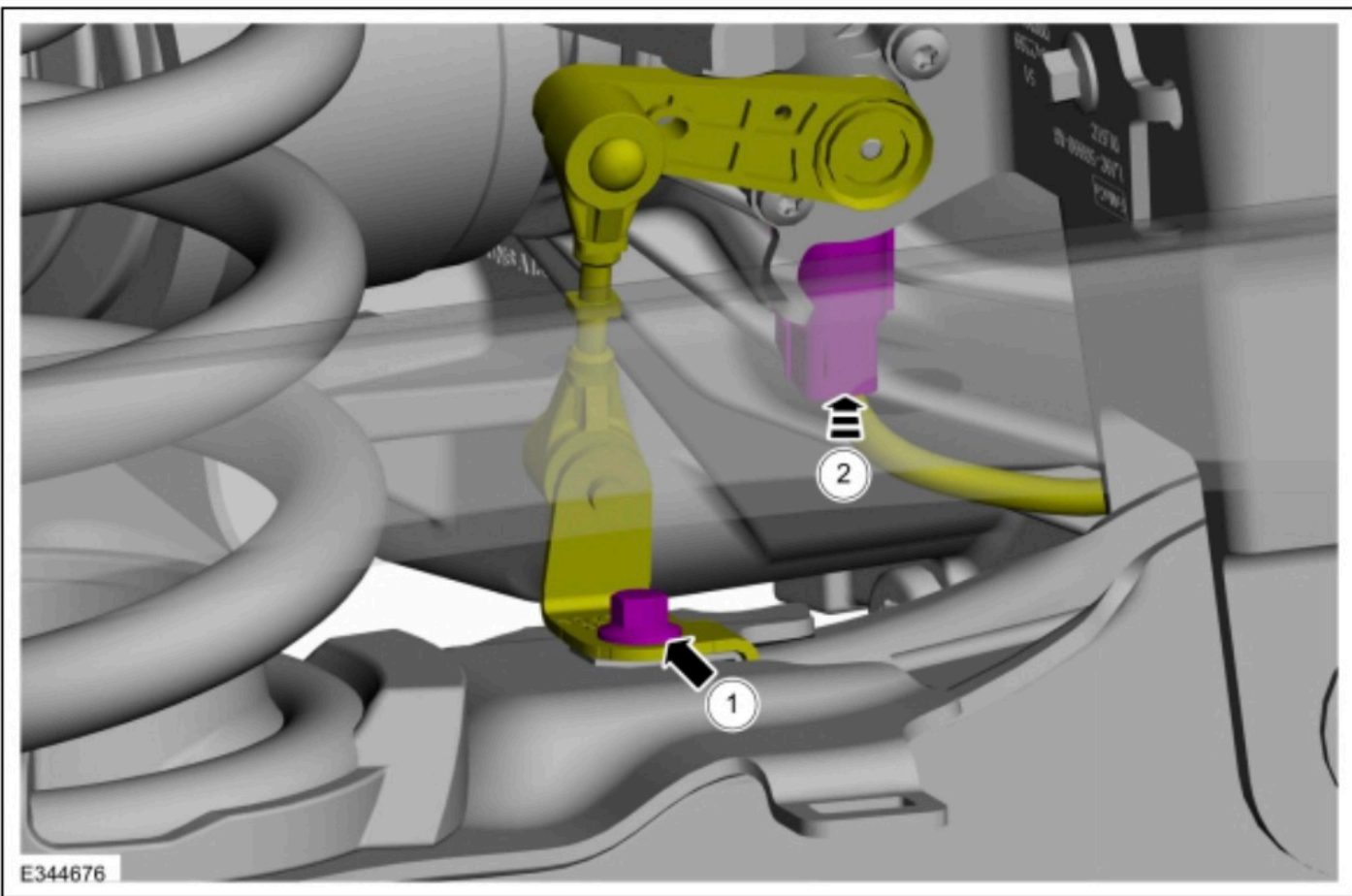
1. Tighten the new lower arm-to-wheel knuckle bolt and nut.  
*Torque : 92 lb.ft (125 Nm)*
2. Tighten the new rear shock absorber lower bolt and nut.  
*Torque : 81 lb.ft (110 Nm)*



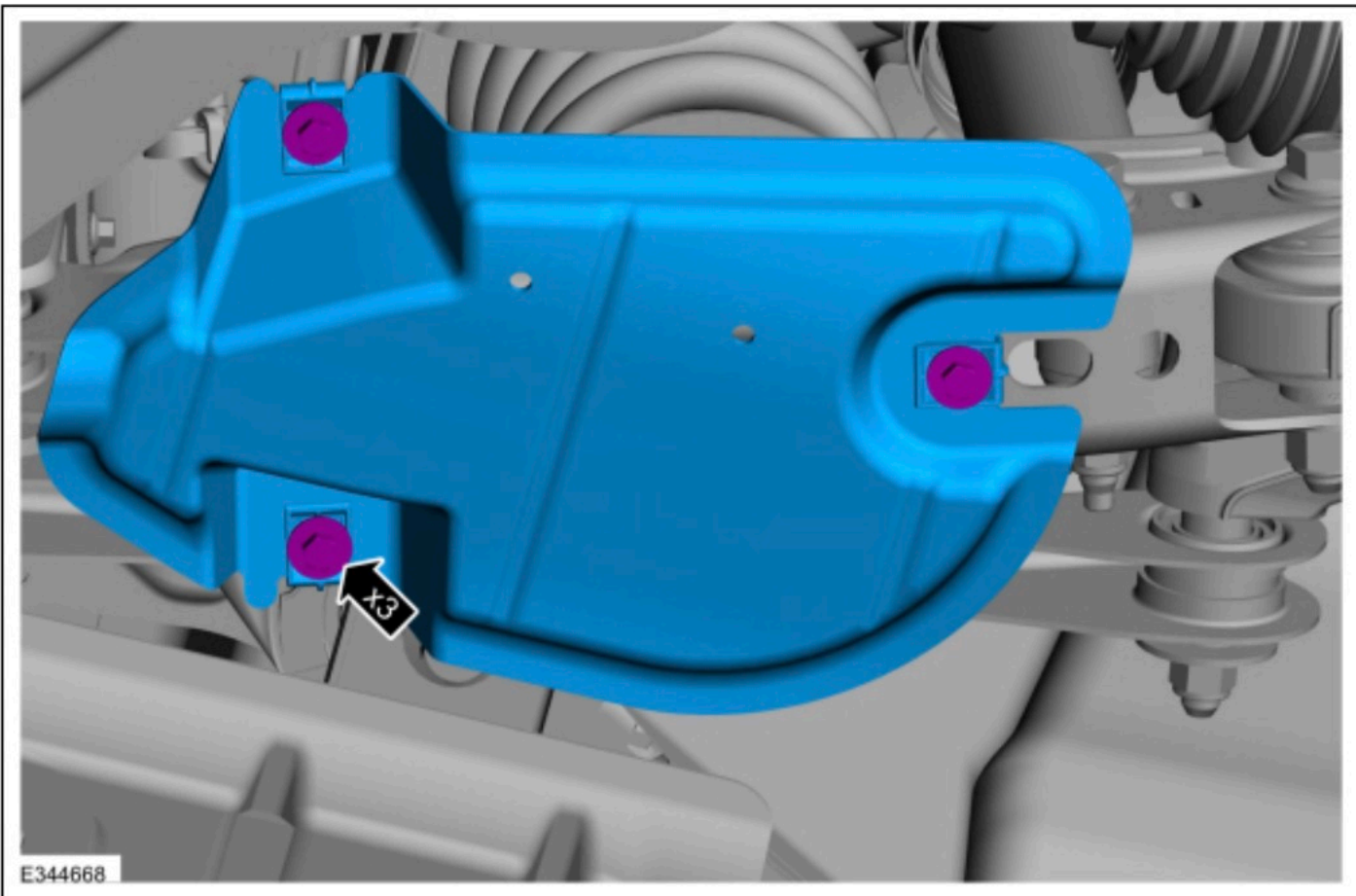
8. **NOTICE:** The rear suspension height sensor must be disconnected from the lower control arm prior to servicing suspension components or damage to the suspension height sensor and/or the vehicle dynamic suspension system may occur. The sensor will need to be recalibrated after reassembly.

If equipped.

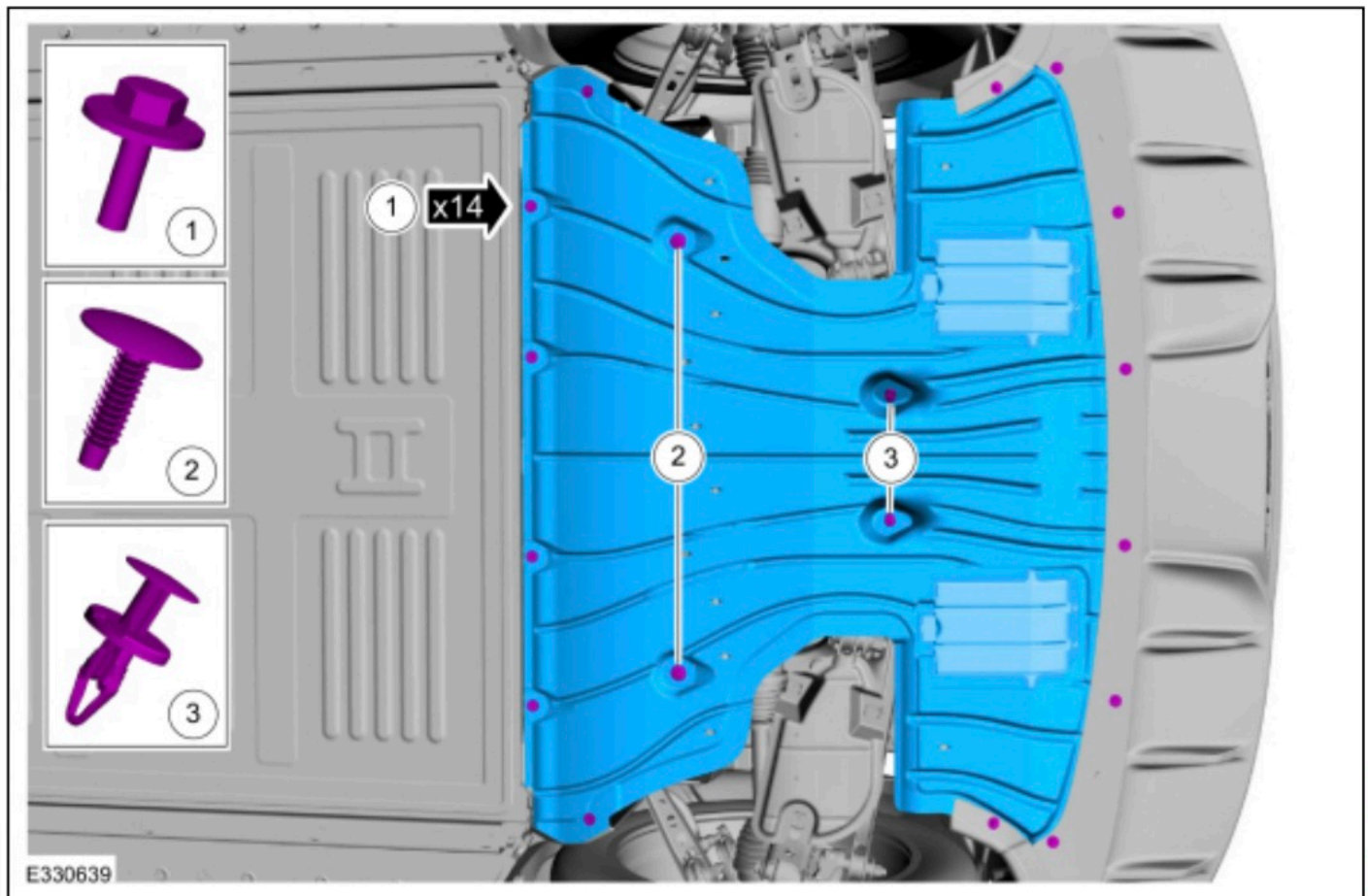
1. Position the rear height sensor arm bracket and install the rear height sensor arm bracket nut.  
*Torque : 97 lb.in (11 Nm)*
2. Connect the rear ride height sensor electrical connector.



9. Position the rear lower arm air deflector and install the retainers.  
*Torque* : 18 lb.in (2 Nm)



10. Position the rear underbody shield and install the pushpins and the screws.  
*Torque* : 18 lb.in (2 Nm)



11. Install the wheel and tire.

Refer to: [Wheel and Tire](#) (204-04A Wheels and Tires, Removal and Installation) .

12. Check and if necessary adjust rear toe.

Refer to: [Rear Toe Adjustment](#) (204-00 Suspension System - General Information, General Procedures) .

13. **NOTE:** *If equipped with dynamic suspension.*

Calibrate the suspension system. Connect the scan tool and carry out the Ride Height Calibration routine. Follow the scan tool directions.

© Copyright 2024, Ford Motor Company.