

Rear Door Window Regulator and Motor



Special Tool(s) / General Equipment

Punch

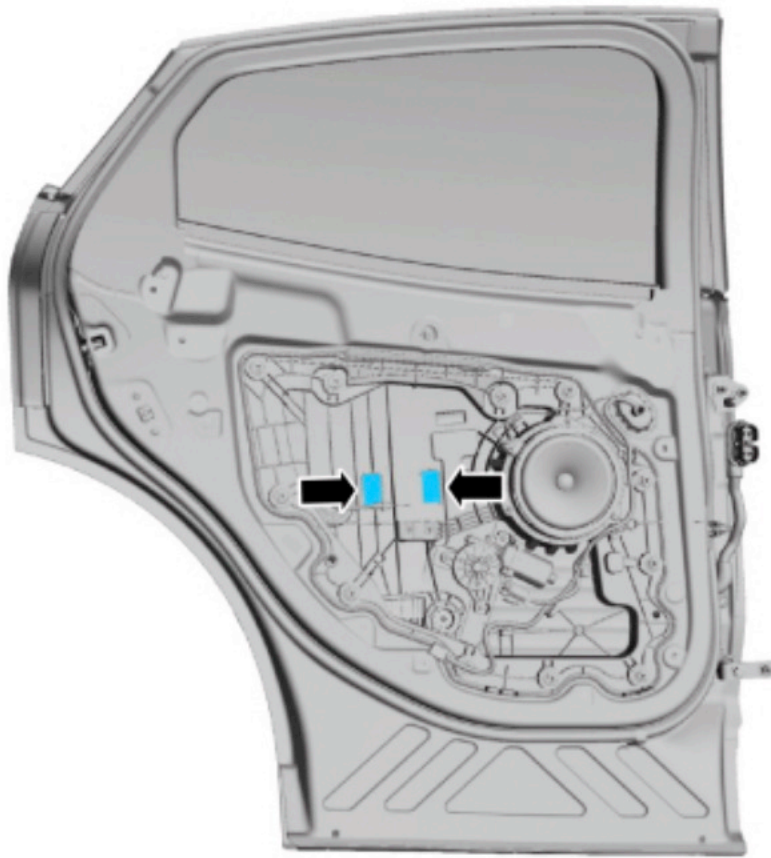
Removal

NOTE: *Left hand (LH) shown, right hand (RH) similar.*

NOTE: *For rear door window regulator motors that are non-functional it will be necessary to remove the rear door window regulator motor prior to removing the rear door window regulator.*

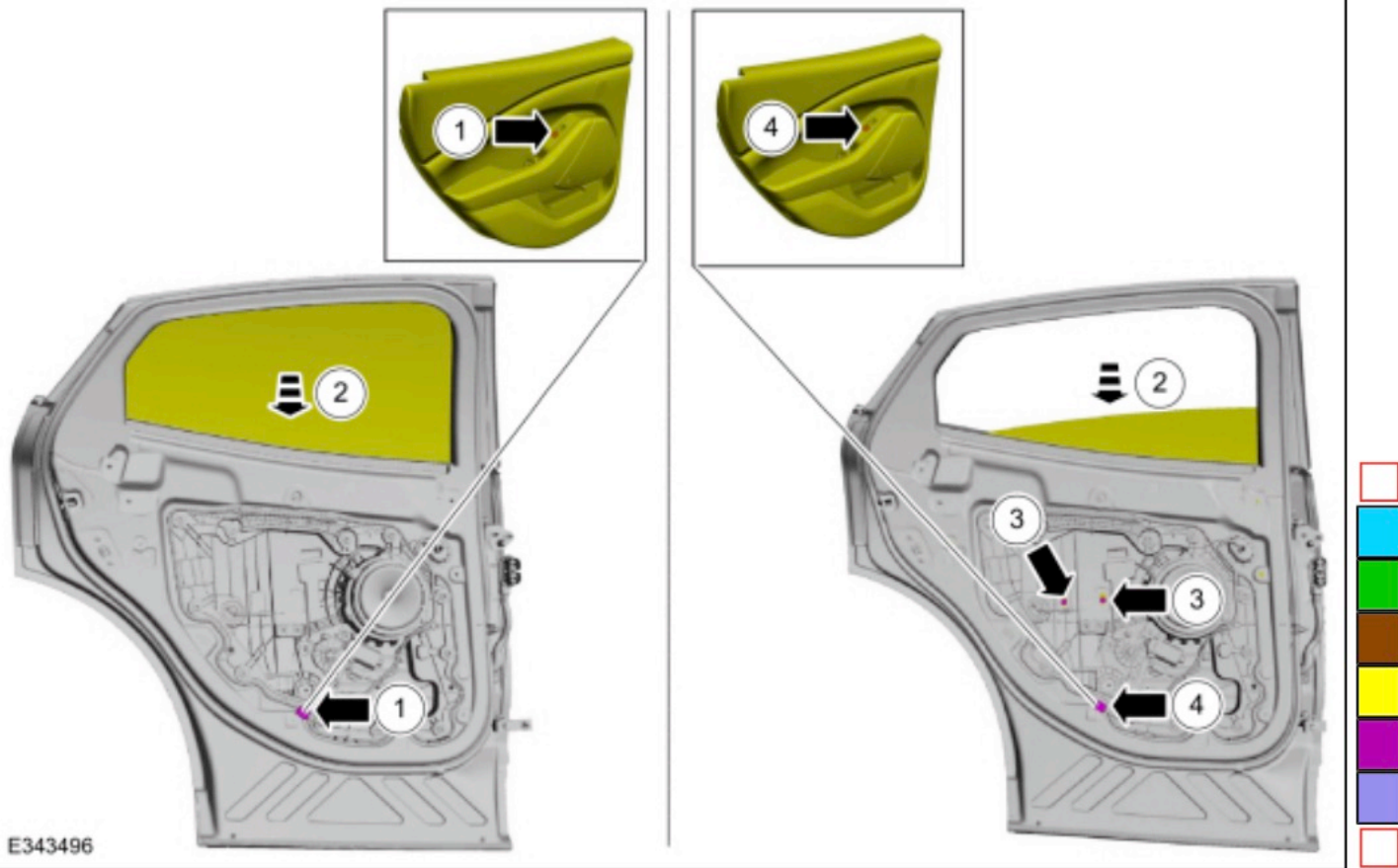
NOTE: *Removal steps in this procedure may contain installation details.*

1. Remove the rear door trim panel.
Refer to: [Rear Door Trim Panel](#) (501-05 Interior Trim and Ornamentation, Removal and Installation).
2. Remove the rear door window glass release access covers.

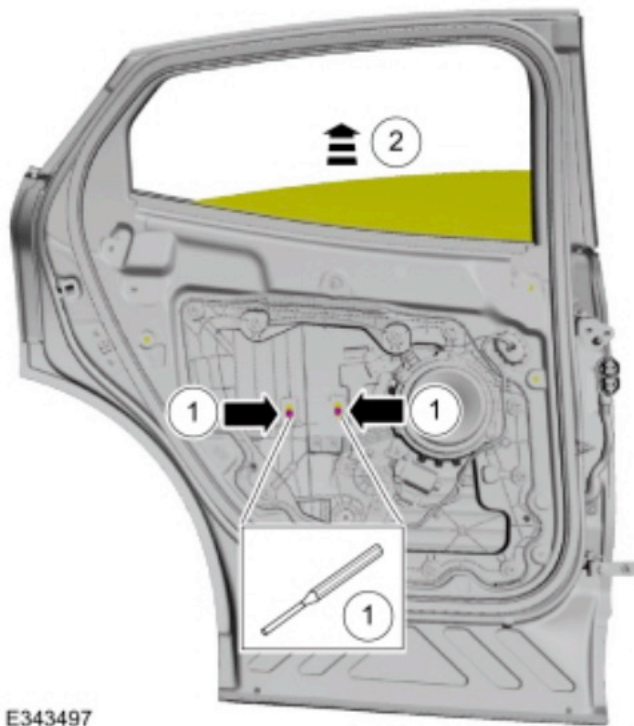


E343495

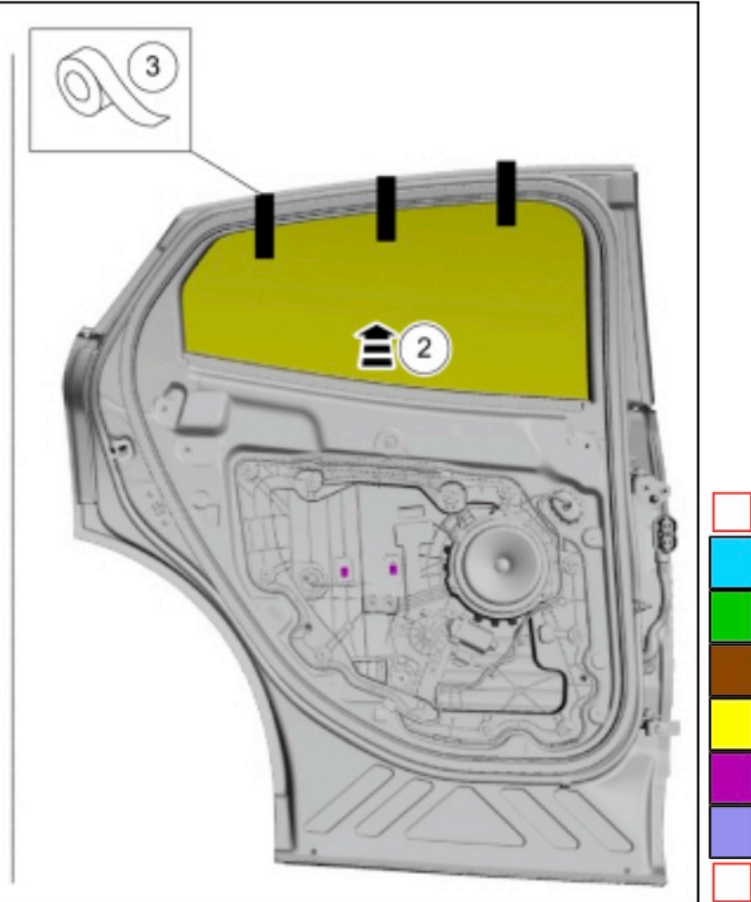
3. Lower the rear door window glass to the half down position.
 1. Position the rear door trim panel and connect the inline electrical connector.
 2. Lower the rear door window glass to the half down position.
 3. Align the rear door window glass retaining clips with the access windows.
 4. Disconnect the inline electrical connector and remove the rear door trim panel.



4. Release the rear door window glass and tape in the full up position.
 1. Release the rear door window glass retaining clips.
Use the General Equipment: Punch
 2. Raise the rear door window glass in the full up position.
 3. Tape the rear door window glass in the full up position.



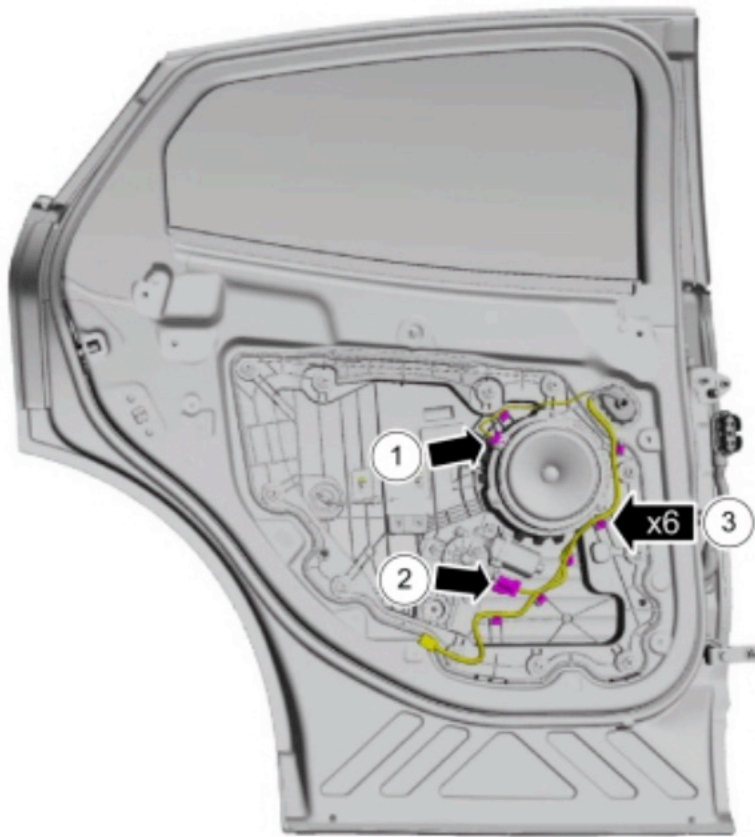
E343497



5.

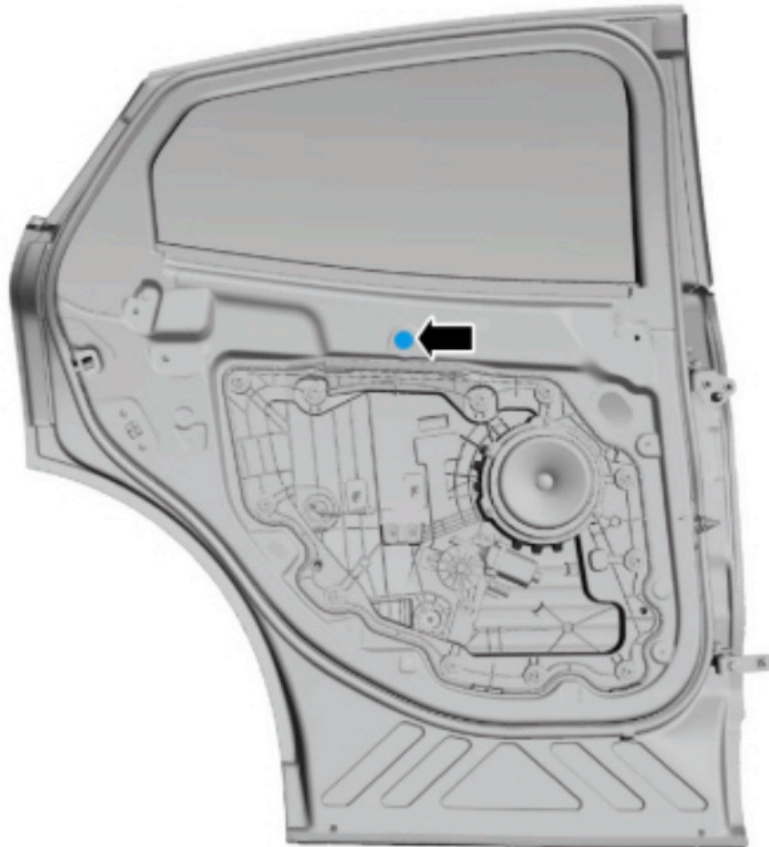
Position the rear door wiring harness aside.

1. Disconnect the rear door speaker electrical connector.
2. Disconnect the rear door window regulator motor electrical connector.
3. Release the rear door wiring harness routing clips and position the rear door wiring harness aside.



E343498

6. Remove the rear door window regulator nut adhesive cover.

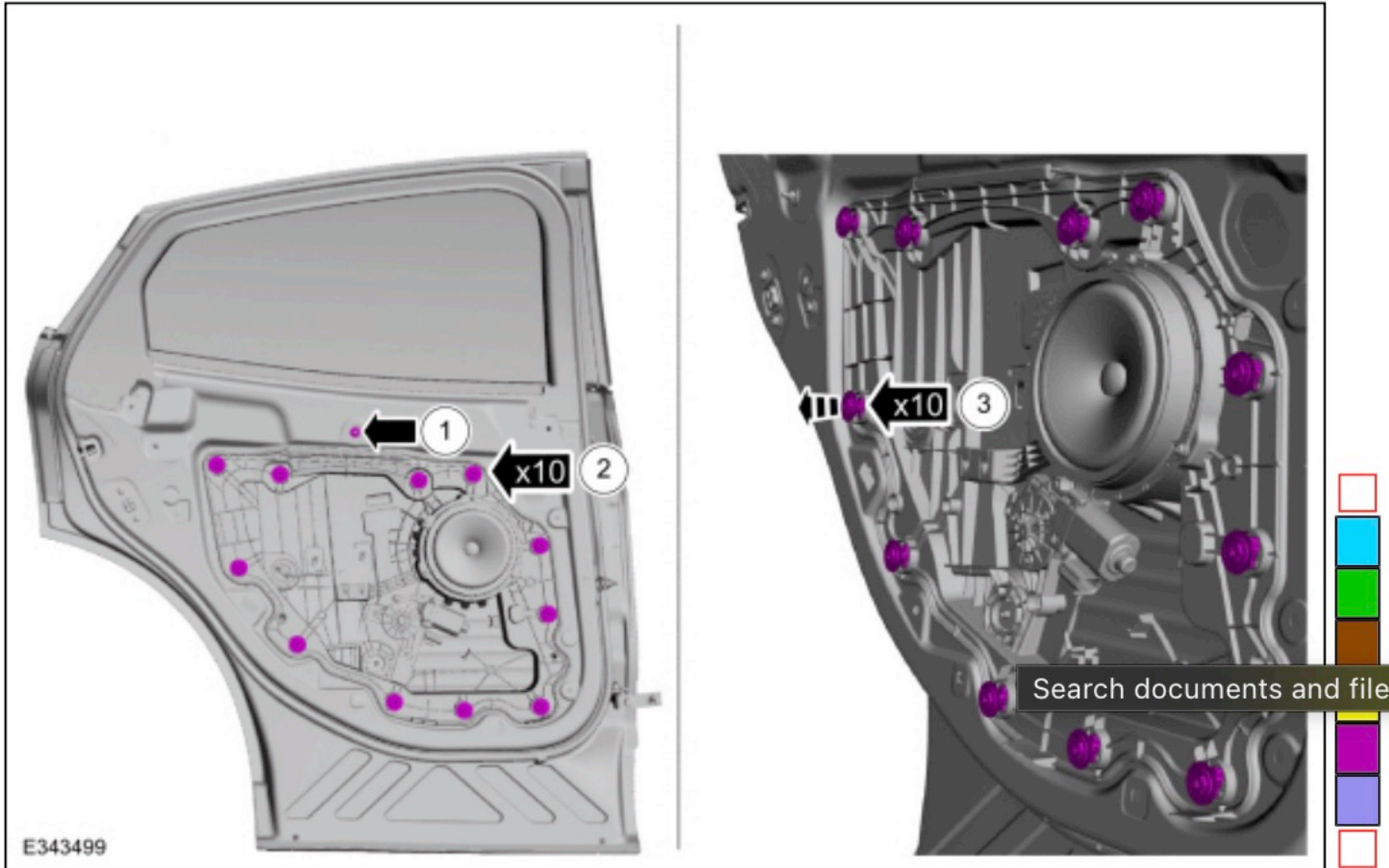


E343501

7. **NOTE:** Follow the unique instructions or graphic for this step in installation.

Remove rear door window regulator and motor.

1. Remove the rear door window regulator nut.
Torque: 93 lb.in (10.5 Nm)
2. Release the rear door window regulator retaining clips.
Torque: 42 lb.in (4.8 Nm)
3. Position the rear door window regulator retaining clips into the service position.



8.

Remove the rear door window regulator.

1. Remove the rear door window regulator.
2. Route the interior door handle cable and grommet through the rear door window regulator.



E343500