

Fender Splash Shield



Special Tool(s) / General Equipment

Interior Trim Remover

Removal

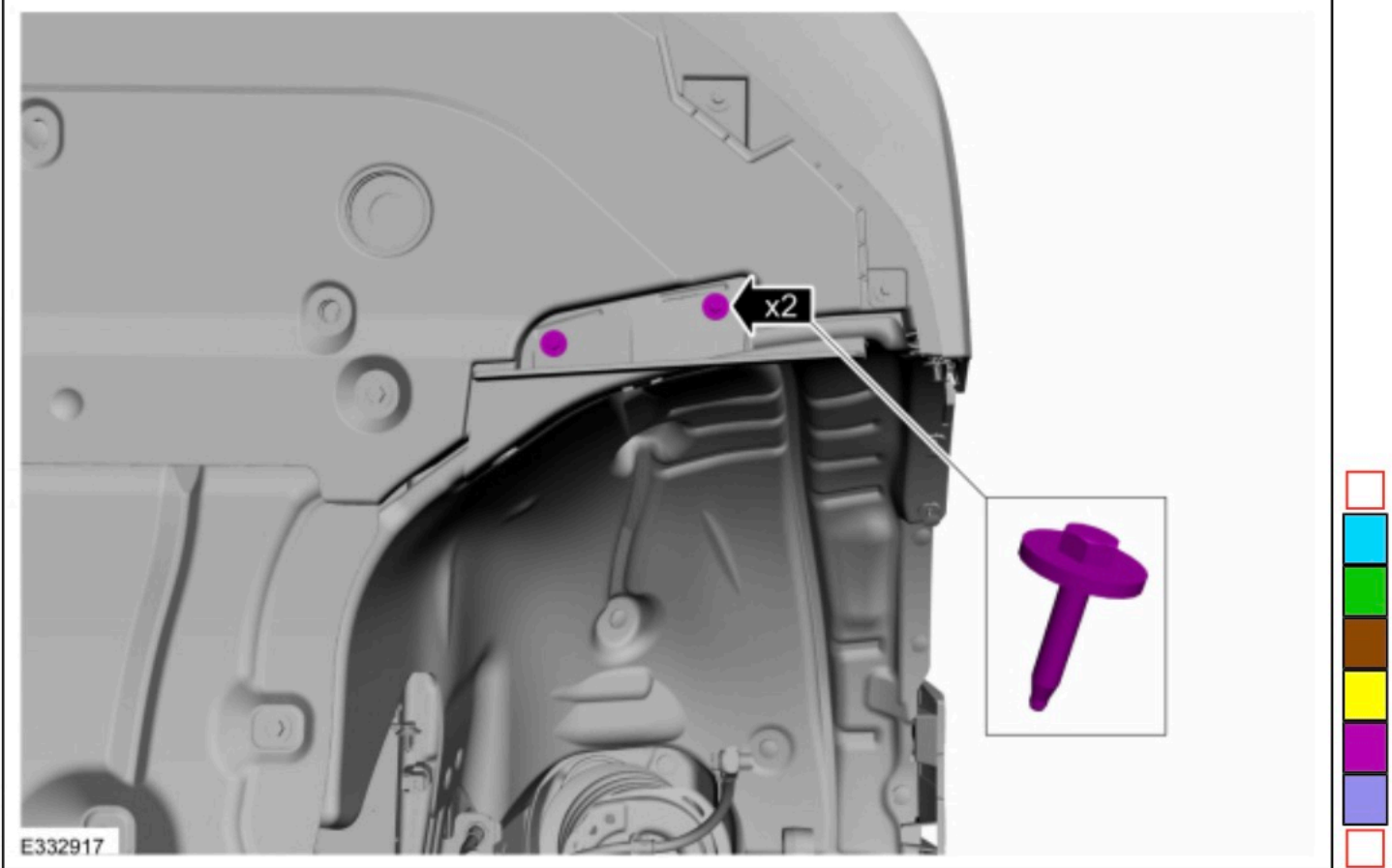
NOTE: Removal steps in this procedure may contain installation details.

NOTE: LH side shown, RH side similar.

1. Remove the front wheels and tires.
Refer to: [Wheel and Tire](#) (204-04A Wheels and Tires, Removal and Installation).
2. Remove the front fender moulding.
Refer to: [Front Fender Moulding](#) (501-08 Exterior Trim and Ornamentation, Removal and Installation)

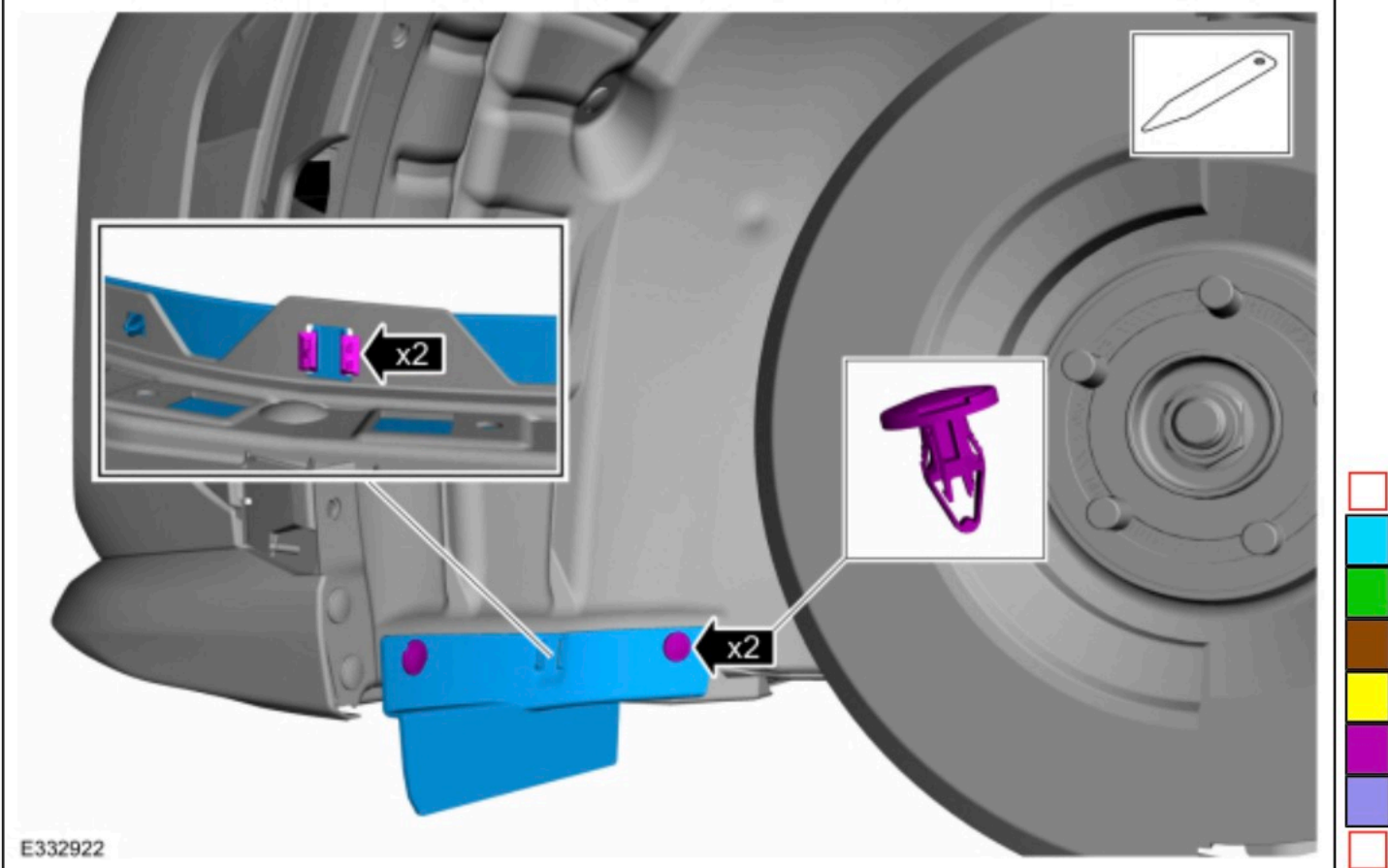


3. Remove the screws.
Torque: 18 lb.in (2 Nm)

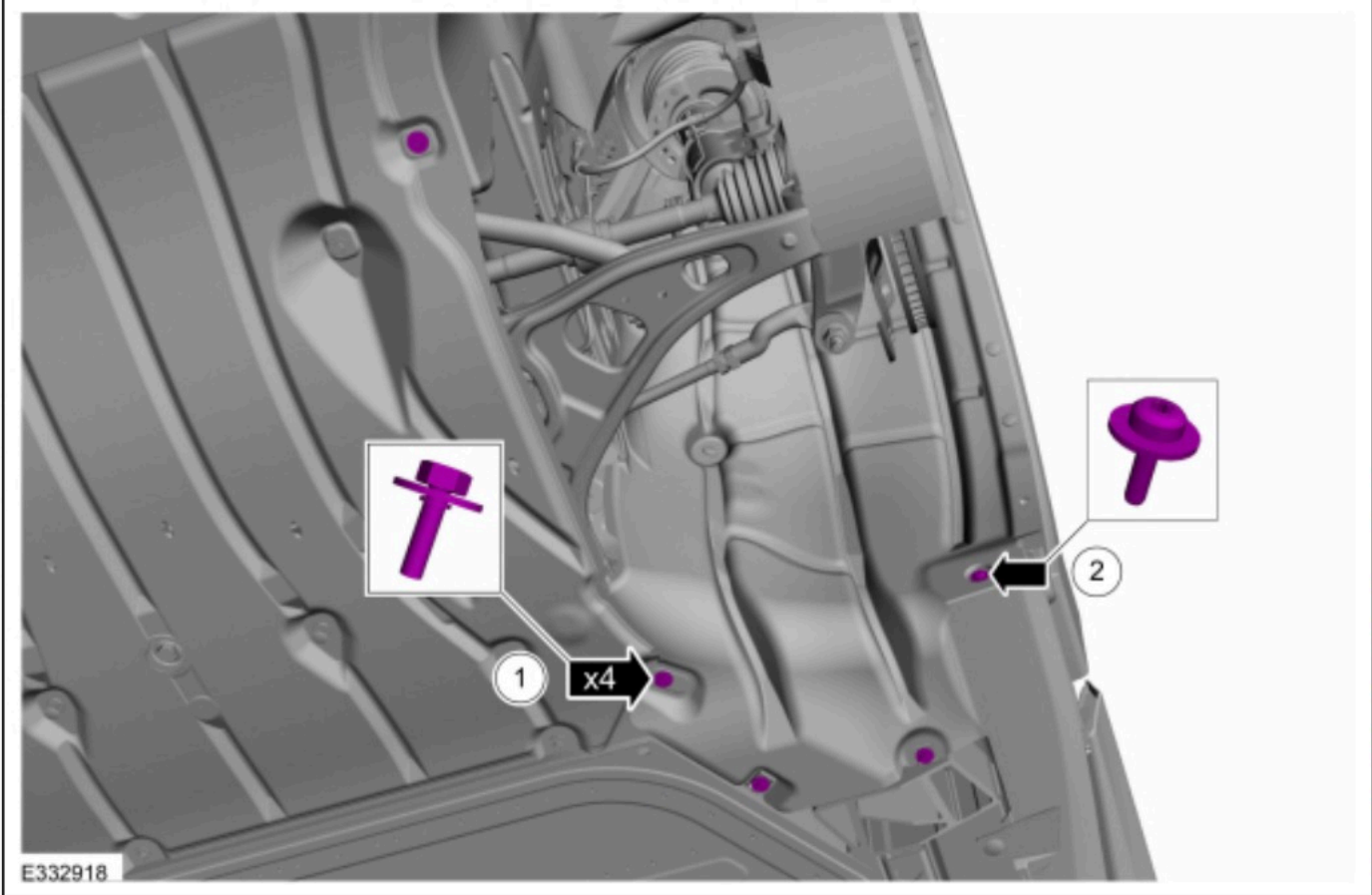


4. Remove the push pins, release the tabs and remove the stone deflector.
Use the General Equipment: Interior Trim Remover

Search documents and file names for



5. Remove the screws.
Torque: 18 lb.in (2 Nm)



6. Remove the push pins and the fender splash shield.

