



**Front Electric Drive Assembly - Base -
Halfshaft Seal LH**

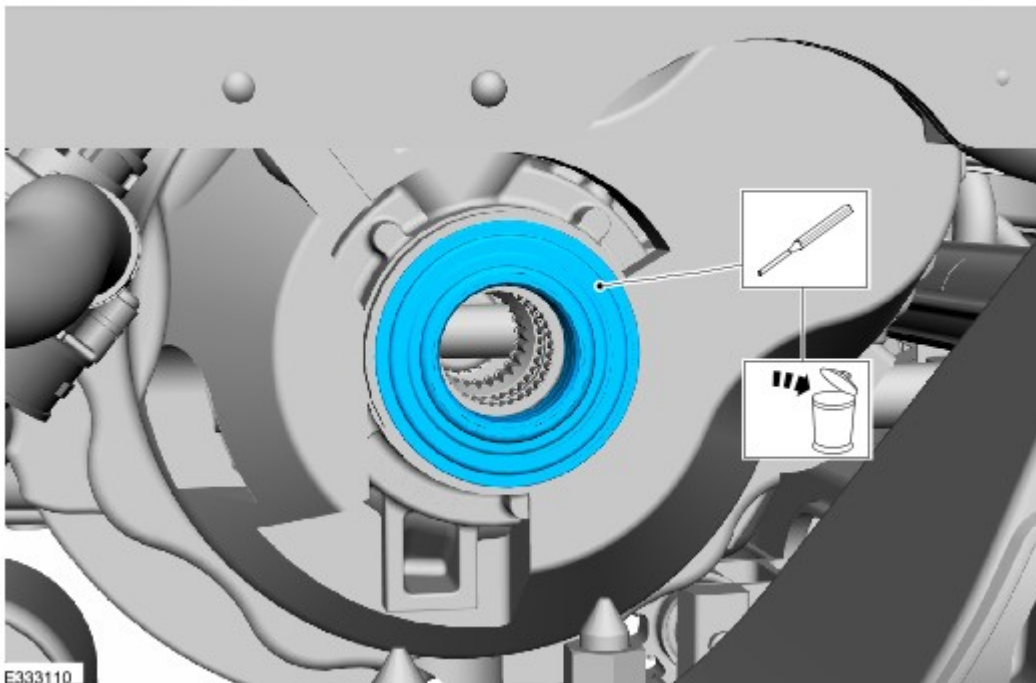
Mustang Mach-E 2021 (06/2019-)

 [Print](#)  [Report An Error](#)**Removal and Installation****Special Tool(s)**

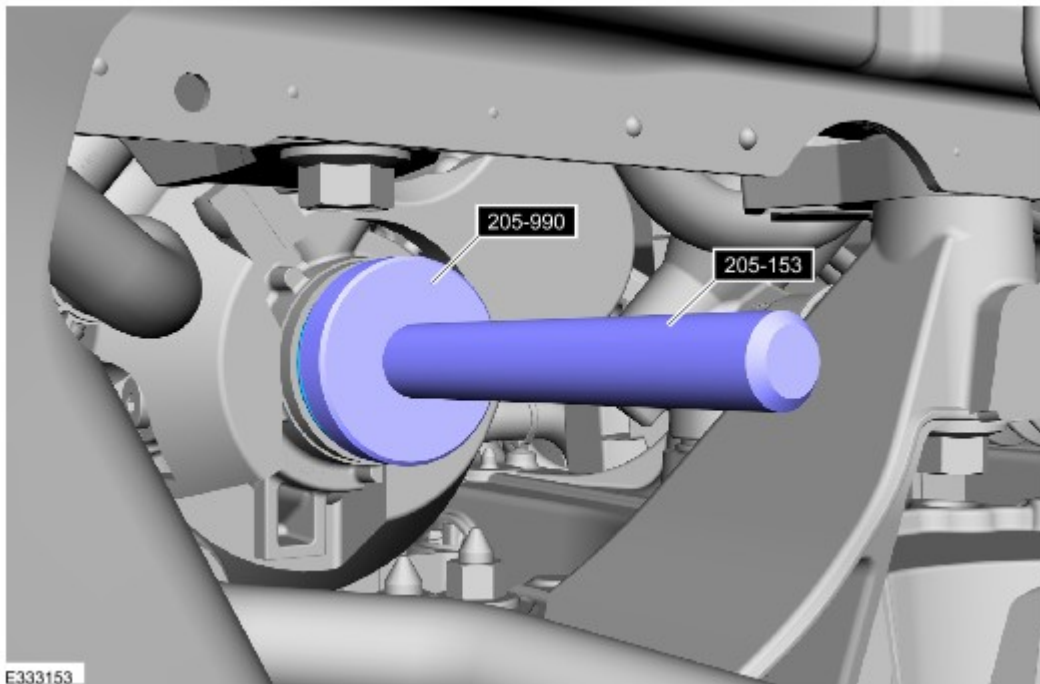
 E133013	205-153 Handle
 E154011	205-990 Installer, Axle Seal

Removal

1. Refer to: [Front Halfshaft LH](#) (205-04 Front Drive Halfshafts, Removal and Installation).
- 2.

**Installation**

1. Use *Special Service Tools*: [205-153](#), [205-990](#).



2. Refer to: [Front Halfshaft LH](#) (205-04 Front Drive Halfshafts, Removal and Installation).
3. *Torque: 2 Nm*

